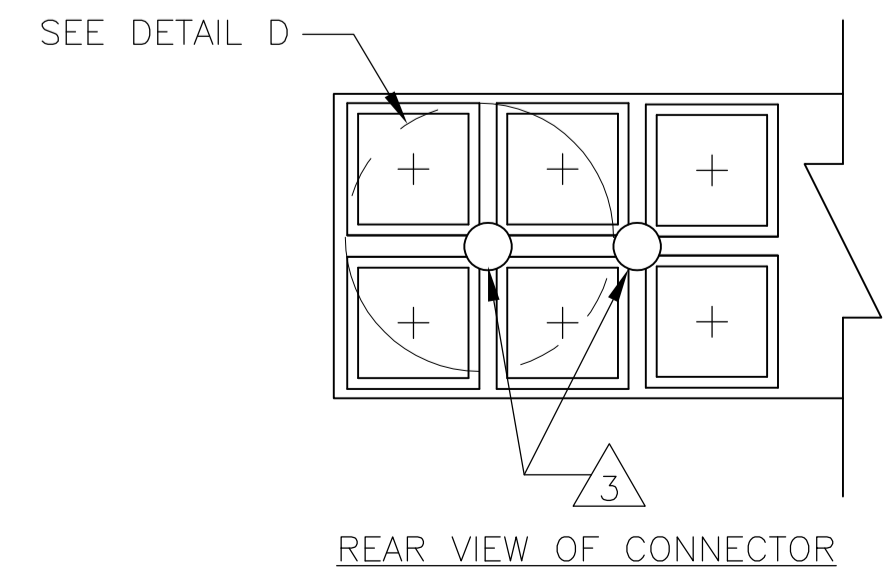
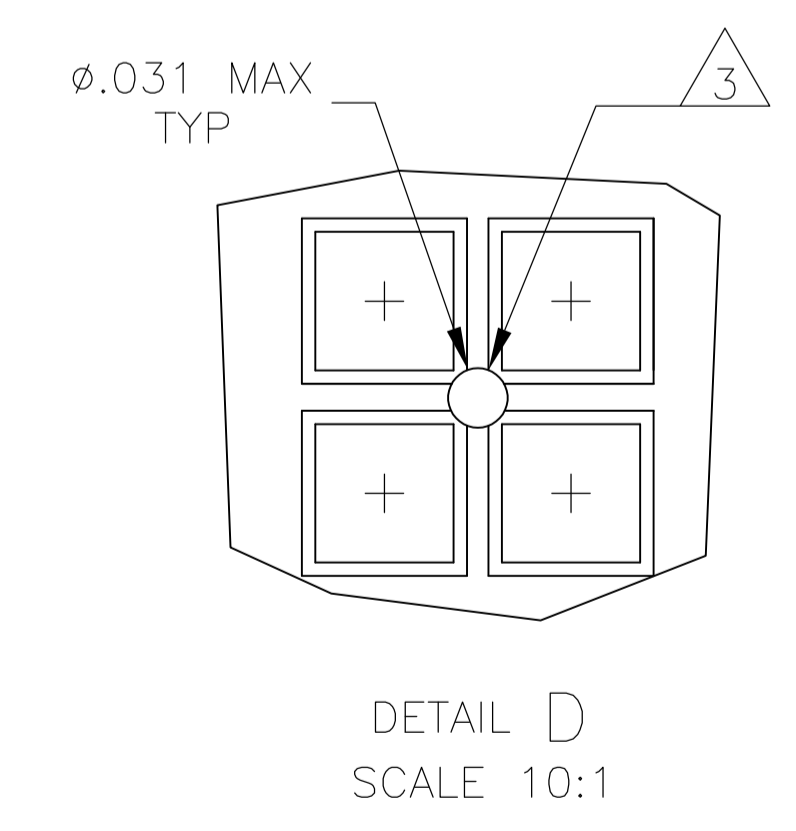
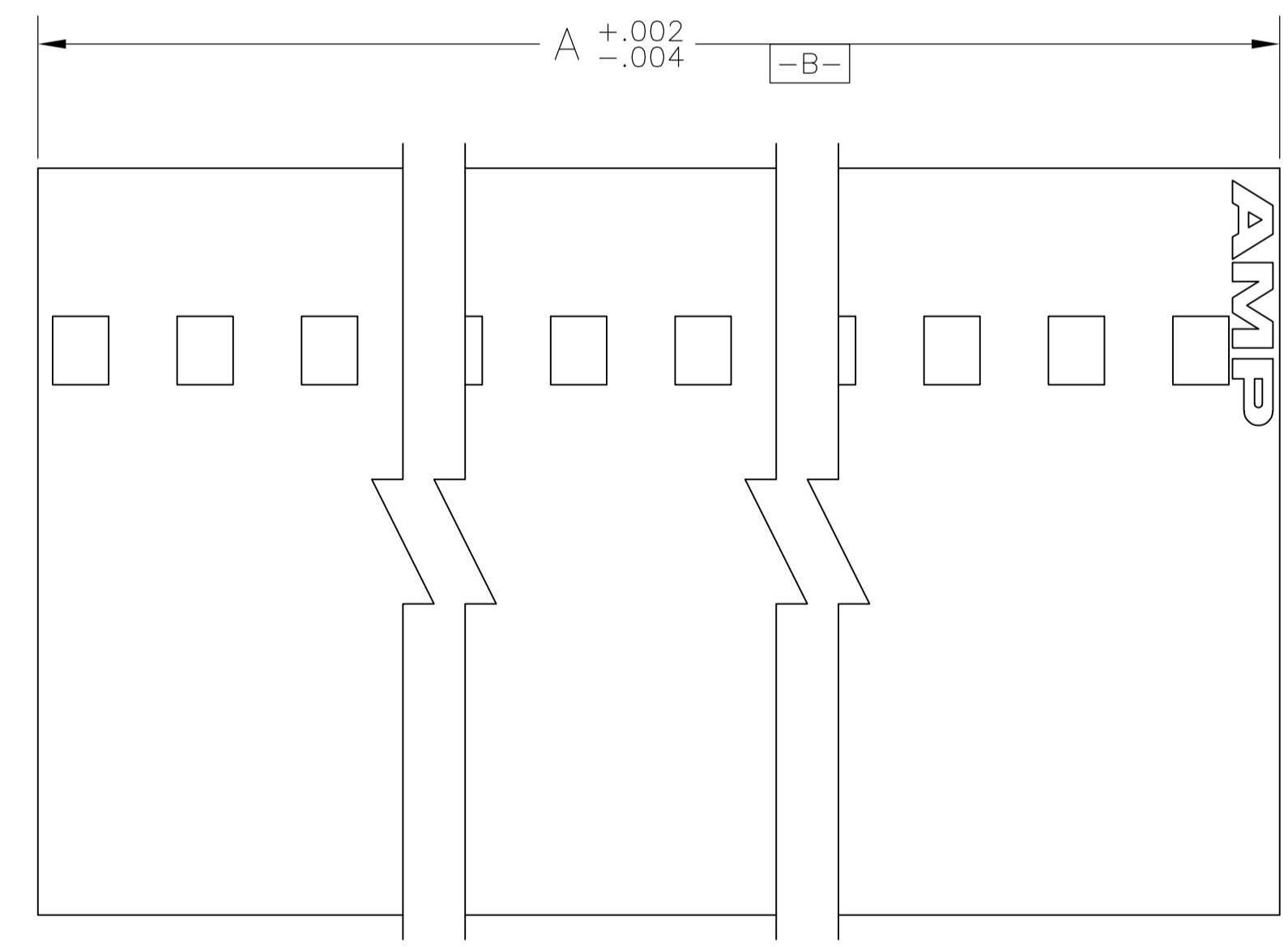
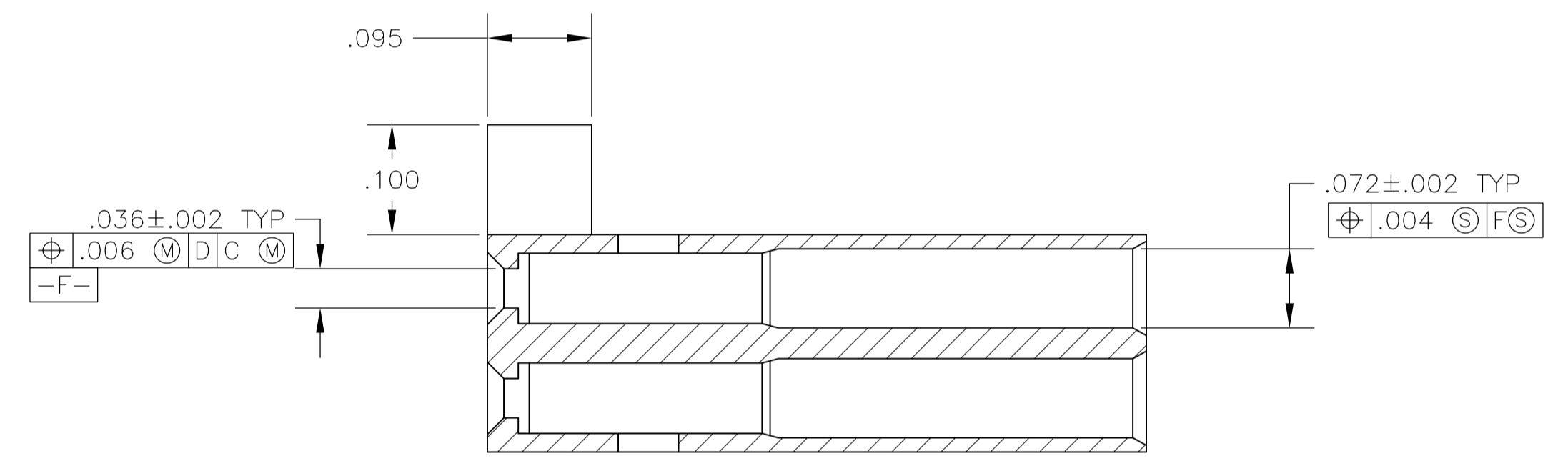
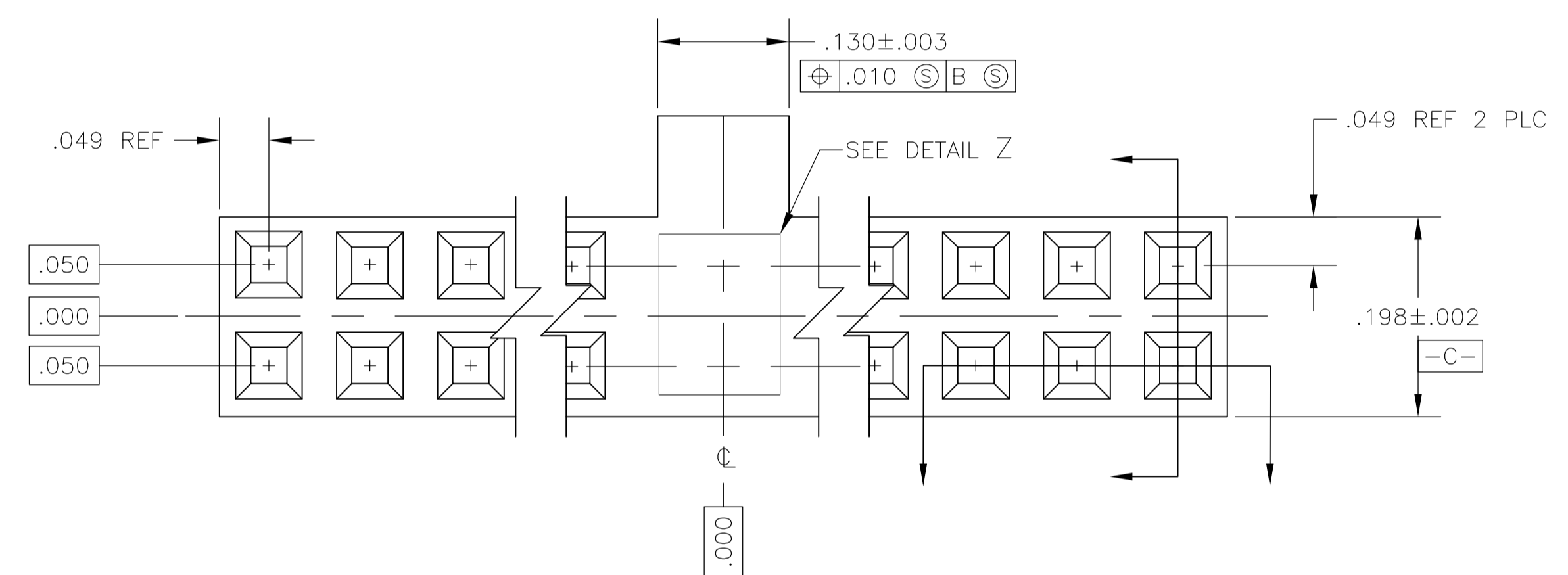


- 1 VOID CORING PERMISSIBLE IN POLARIZATION BAR.
- 2 OBSOLETE PARTS: OBSOLETE CIS STREAMLINING PER D.RENAUD/D.SINISI
- 3 EJECTOR FEATURES AT MOLDER'S DISCRETION (QUANTITY AND LOCATION).



	1.798	17	36	1-104483-4
	2.498	24	50	1-104483-3
2 OBSOLETE	.598	5	12	1-104483-2
	.498	4	10	1-104483-1
2 OBSOLETE	2.598	25	52	1-104483-0
	.698	6	14	104483-9
	3.198	31	64	104483-8
	2.698	26	54	104483-7
	1.898	18	38	104483-6
	1.498	14	30	104483-5
	1.298	12	26	104483-4
	.998	9	20	104483-3
	.898	8	18	104483-2
	.398	3	8	104483-1
A	NO OF SP	NO OF POSN	PART NUMBER	

THIS DRAWING IS A CONTROLLED DOCUMENT.

DIMENSIONS: INCHES	TOLERANCES UNLESS OTHERWISE SPECIFIED:	DIN	SCOTT A. SHUEY	17MAY99
	0 PLC ± -	CHK	H. MOLL	18MAY99
	1 PLC ± -	APVD	R. FLICKER	18MAY99
	2 PLC ± -	NAME	RCPT HSG, DBL ROW, PLZD, .100x.100 CL, SHORT PT, AMPMODU	
	3 PLC ± .005	APPLICATION SPEC	SIZE	CAGE CODE
	4 PLC ± -	FINISH	A1	00779
	ANGLES ± -	WEIGHT	104483	
MATERIAL: FLAME RETARDANT THERMOPLASTIC COLOR:BLACK		CUSTOMER DRAWING	SCALE	8:1
			SHEET	1 OF 1
			REV	F