

har-modular M1-module female straight



Image is for illustration purposes only. Please refer to product description.

Part number	02 52 901 0401
Specification	har-modular M1-module female straight
HARTING eCatalogue	https://b2b.harting.com/02529010401

Identification

Category	Connectors
Series	har-modular®
Identification	M1 module
Element	Female connector
Description of the contact	Straight

Version

Width of the module	10.16 mm
Connection type	Motherboard to daughtercard Mezzanine
Number of contacts	1
Details	Please order contacts separately.

Technical characteristics

Clearance distance	4 mm in the module 2 mm to module edge
Creepage distance	4 mm in the module 2 mm to module edge
Insulation resistance	$>10^{11} \Omega$
Limiting temperature	-55 ... +125 °C
Mating cycles	≥ 500
Test voltage $U_{r.m.s.}$	1.55 kV
Isolation group	I ($600 \leq CTI$)
Hot plugging	No

Technical characteristics

Moisture Sensitivity Level (MSL)	1 acc. to ECA/IPC/JEDEC J-STD-020D
----------------------------------	------------------------------------

Material properties

Material (insert)	Polyamide (PA)
Colour (insert)	Black
Material flammability class acc. to UL 94	V-0

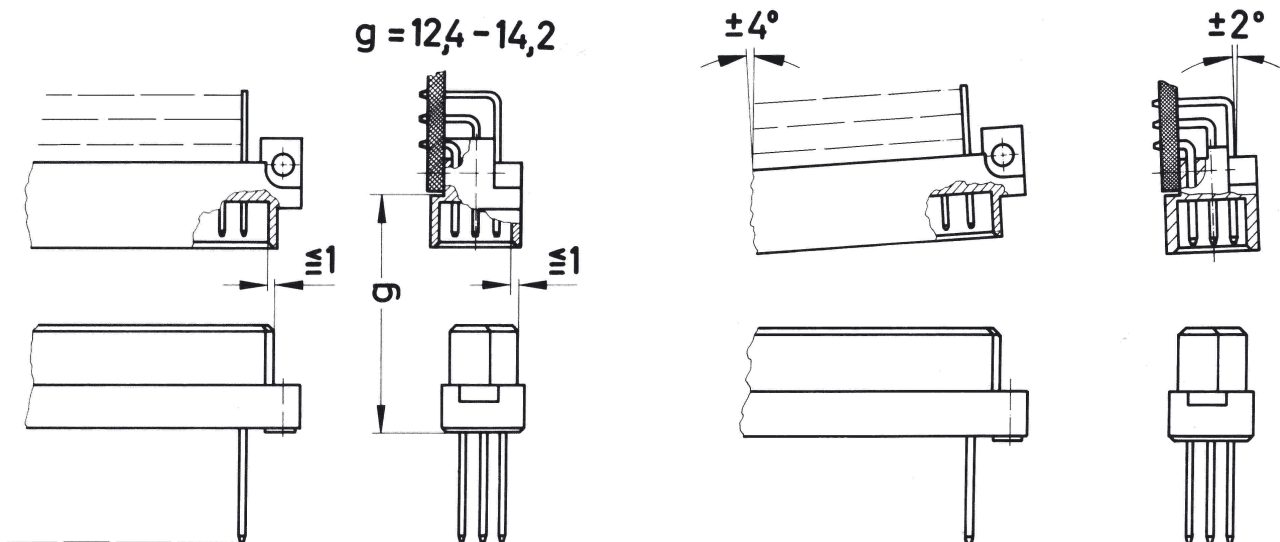
Specifications and approvals

Railway classification	F1/I2 acc. to NFF 16-101/102
------------------------	------------------------------

Commercial data

Packaging size	20
Net weight	1.17 g
Country of origin	Romania
European customs tariff number	85366990
eCl@ss	27460201 PCB connector (board connector)

Mating conditions



To ensure reliable connections and prevent unnecessary damage, please refer to the application data diagrams. These recommendations are set out in IEC 60603-2. The connectors should not be coupled and decoupled under electrical load.