

Features

- Very flexible
- High abrasion resistant
- Retrofit
- Temperature range -50°C to 150 °C
- Diameter range 5 mm to 40 mm
- Flame retardant (FR)

Installation

Installed by opening up the woven sleeve, feeding over the application and releasing

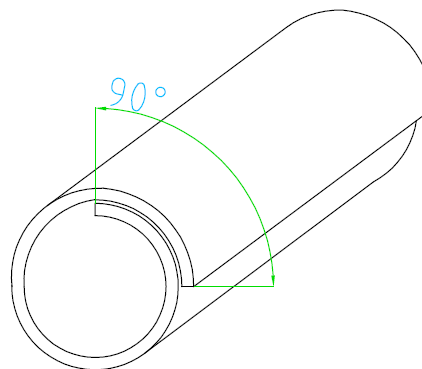
- Once installed, it creates a tight and snug fit
- Easy to re-open and re-access the protected medium

Applications

To protect wiring, cables, pipes, hoses from mechanical damage arising from exposure to touch conditions such as vibrations, frictions, abrasions,....

Dimensions

Nominal diameter at 90° overlap (mm)	m/roll
5	150
8	100
10	75
13	75
16	50
19	25
25	25
29	20
32	20
38	15
40	10



Specification

Material	Polyester PET / Monofilament
Colour	Black or Orange + White Tracer
Specific Gravity	1.38 g/cm ³
Weft Yarn	0.25 mm Diameter
Warp Yarn	1100 Dtex

PERFORMANCES

Mechanical

Abrasion Resistance	High
Flexibility	Good
Cut Resistance	High
Tensile Stress	650 N/mm ²
Elongation	20 %

Thermal

Operating Temperature	-50 ... 150°C
Melting Temperature	250°C
Shrinkage (Water 100°C)	2 ... 4%
Shrinkage (Air 200°C)	24 ... 28 %
Flammability	Self-Extinguishing

Chemical

Water Absorption	0.1% max.
UV Resistance	Very Good
Resistance A*	High
Resistance B**	Low
Smoke Toxicity	Halogen Free

* weak acidic substances, oils, fats
 ** strong acidic or alkaline substances
 The above mentioned values are indicative and are provided without any guarantee.
 RND does not assume any responsibility resulting from the application of these data.