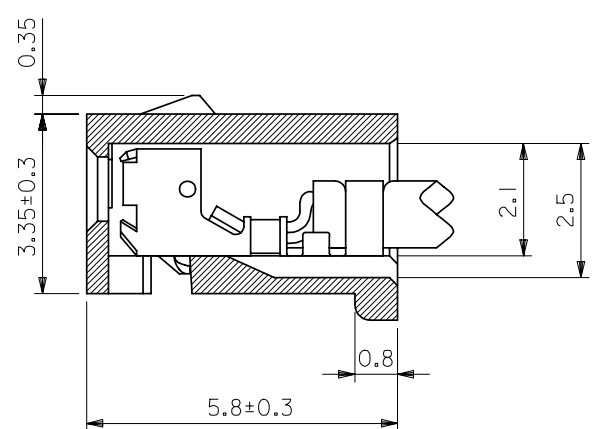
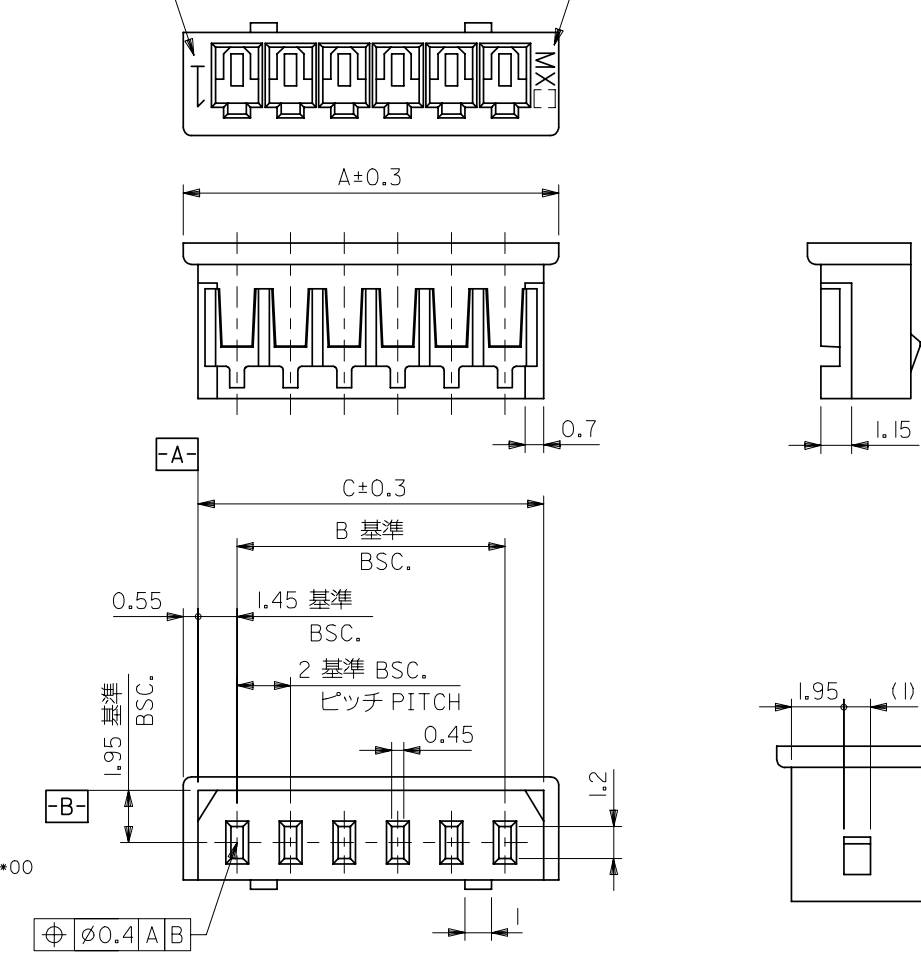


DWG. NO.
SD-51004-**00

回路番号
CIRCUIT NO.

トレードマーク
TRADE MARK



ターミナル装着状態
TERMINAL ASSEMBLY DRAWING
(10:1)

2極の場合
IN CASE OF 2 CIRCUIT HSG.

- 注
NOTE.
- 適合ターミナル: 50011-8*00
ACCEPTS TERMINAL
 - 嵌合相手: 53014-**10
MATES WITH 53015-**10
53025-**10

32	30.9	28	51004-1500	15
30	28.9	26	-1400	14
28	26.9	24	-1300	13
26	24.9	22	-1200	12
24	22.9	20	-1100	11
22	20.9	18	-1000	10
20	18.9	16	-0900	9
18	16.9	14	-0800	8
16	14.9	12	-0700	7
14	12.9	10	-0600	6
12	10.9	8	-0500	5
10	8.9	6	-0400	4
8	6.9	4	-0300	3
6	4.9	2	51004-0200	2
A	C	B	ENG. NO.	極数 CIRCUIT

DO NOT SCALE DRAWING

EC NO. DRWN: CH'K: APPR:		EC NO. DRWN: CH'K: APPR:		EC NO. DRWN: CH'K: APPR:		EC NO. DRWN: CH'K: APPR:		EC NO. DRWN: CH'K: APPR:		REVISION		MATERIAL		GENERAL TOLERANCES: (UNLESS SPECIFIED) 一般公差		SCALE		DESIGN UNITS		THIRD ANGLE PROJECTION		DIMENSIONS:		SHT		REV	
										G		PBT. UL94V-0 POLYESTER UL94V-0		10 UNDER 未滿 ±0.2		5:1		mm		mm		mm		mm		mm	
										REDRAWN		FINISH 仕上げ //		10 OVER 以上 30 UNDER 未滿 ±0.25		DRAWN BY & DATE K.KOHAMA '00/ 3/28		mm		mm		mm		mm		mm	
										DESCRIPTION		WIRE RANGE 適用電線範囲 //		30 OVER 以上 ±0.3		CHECKED BY & DATE T.YAMAGUCHI '00/ 3/30		mm		mm		mm		mm		mm	
										INS. RANGE 被覆外径 //		ANGLE 角度 ±3°		APPROVED BY & DATE M.FUKUSHIMA '00/ 3/30		CAD FILENAME S51004.S01		mm		mm		mm		mm		mm	
														CAD FILENAME S51004.S01		MATERIAL NO. 51004-**00		mm		mm		mm		mm		mm	
																DRAWING NO. SD-51004-**00		mm		mm		mm		mm		mm	
																SHEET NO. 1		mm		mm		mm		mm		mm	
																THIS DRAWING CONTAINS INFORMATION THAT IS PROPRIETARY TO MOLEX INCORPORATED AND SHOULD NOT BE USED WITHOUT WRITTEN PERMISSION.		mm		mm		mm		mm		mm	