

THIS DRAWING IS UNPUBLISHED. RELEASED FOR PUBLICATION. ALL RIGHTS RESERVED.

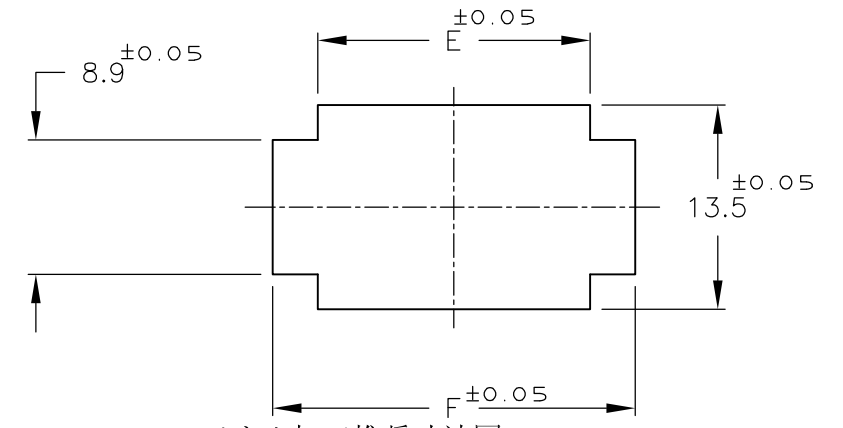
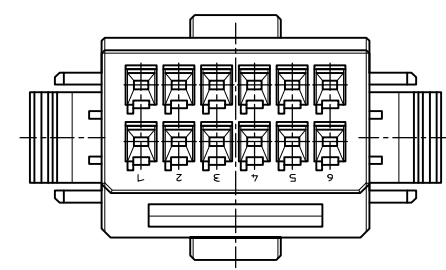
LOC	DIST	REVISIONS					
J	ZDI	P	LTR	DESCRIPTION	DATE	DWN	APVD
				A3 REVISED PER ECO-11-005030	21MAR11	RK	HMR

注記

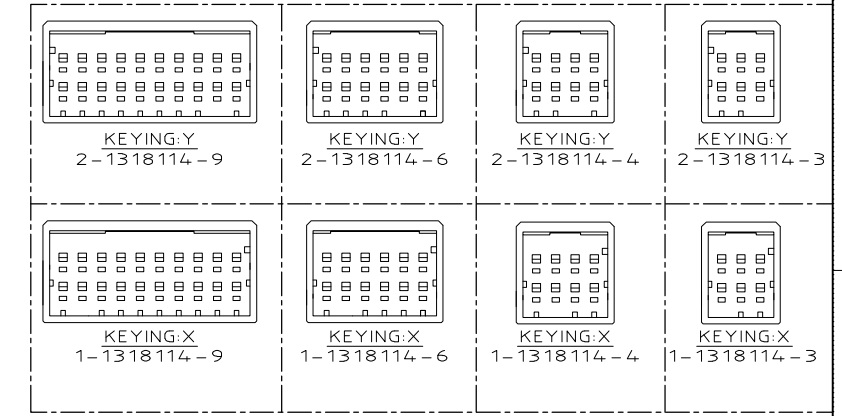
- 1 材料:ハウジング:ガラス入り熱可塑性ポリエステル(94V-0),色:黒
- 2 金属パネルの場合、コネクタ取付け方向をパンチ加工方向にしてください。
- 3 プラスチックパネルの場合、穴端部にRなき様ご配慮ください。
- 4 ハウジング全面にテフロン塗装の事。

NOTES

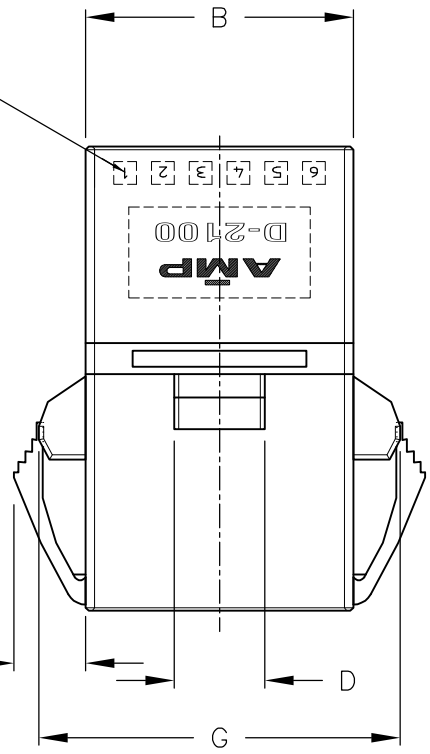
- 1 MATERIAL:HOUSING:GLASS FILED THERMO PLASTIC ,POLYESTER(94V-0),COLOR:BLACK
- 2 INSERT CONN FROM PRESS DIRECTION SIDE FOR METAL PANEL.
- 3 EDGE OF THICKNESS WAY MUST NOT ROUND FOR MOLDED PANEL.
- 4 TO COAT ALL SURFACE OF HOUSING WITH TEFLON.



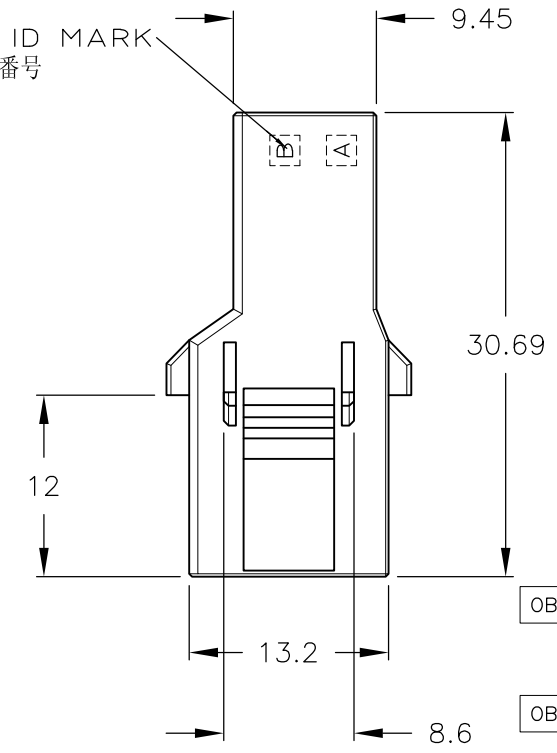
パネル加工推奨寸法図
RECOMMENDED PANEL LAYOUT
(適用パネル厚:0.8-2.0)
(APPLICABLE PANEL THICKNESS:0.8-2.0)



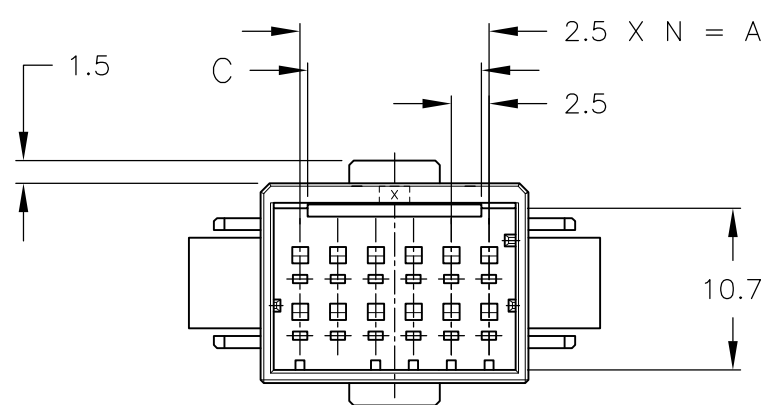
CIRCUIT NO.
回路番号



ROW ID MARK
列番号



OBSOLETE	22.5	27.7	11.5	6	28	34.0	33.88	9	20	5-1318114-9
-	22.5	27.7	11.5	6	28	34.0	33.88	9	20	2-1318114-9
OBSOLETE	12.5	17.7	11.5	6	18	24.0	23.88	5	12	5-1318114-6
-	12.5	17.7	11.5	6	18	24.0	23.88	5	12	2-1318114-6
OBSOLETE	7.5	12.7	4	4	13	19.0	18.88	3	8	5-1318114-4
-	7.5	12.7	4	4	13	19.0	18.88	3	8	2-1318114-4
OBSOLETE	5	10.2	4	4	10.5	16.5	16.38	2	6	5-1318114-3
-	5	10.2	4	4	10.5	16.5	16.38	2	6	2-1318114-3
FINISH	A	B	C	D	E	F	G	N	POS	P/N



THIS DRAWING IS A CONTROLLED DOCUMENT FOR AMP INCORPORATED. IT IS SUBJECT TO CHANGE AND THE CONTROLLING ENGINEERING ORGANIZATION SHOULD BE CONTACTED FOR THE LATEST REVISION.

DWN: K.IKEDA 7/DEC/'98
CHK: N.MATSUBARA 7/DEC/'98
APVD: I.HASEGAWA 7/DEC/'98

PRODUCT SPEC: 108-5619
APPLICATION SPEC: 114-5258
WEIGHT: [blank]

STE TE Connectivity

名称: 2列タブハウジング
パネルマウントタイプ
DOUBLE ROW TAB HSG (PANEL MOUNT)
<DYNAMIC D-2100D>

SIZE: A3 CAGE CODE: 00779 DRAWING NO: C-1318114 RESTRICTED TO: [blank]

CUSTOMER DRAWING SCALE: 2-1 SHEET: 1 OF 1 REV: A3