

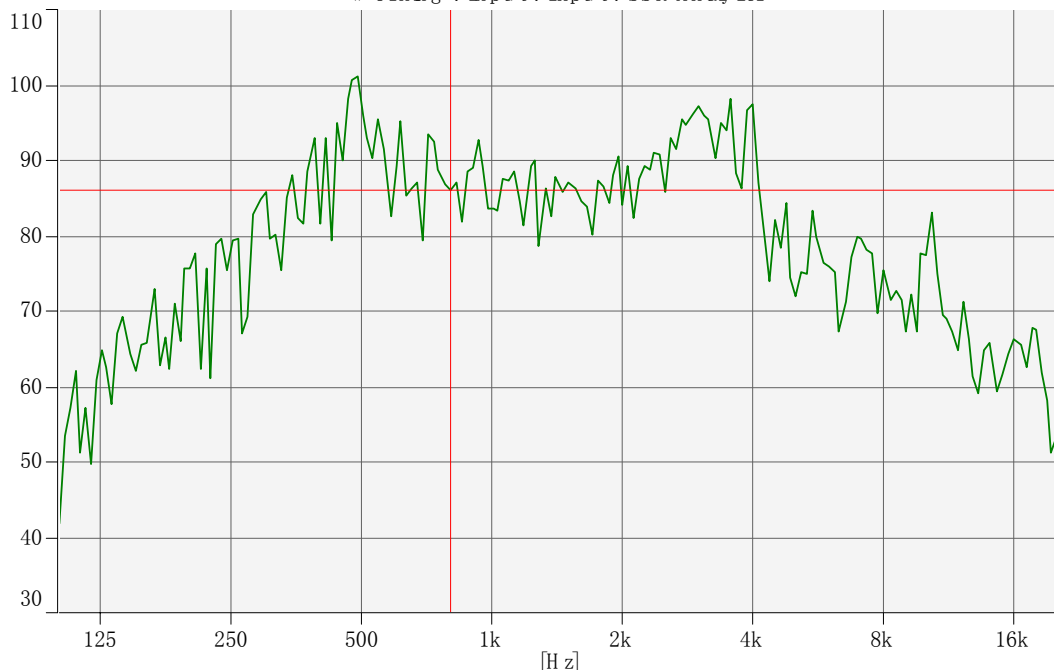
# Speaker Specification

Customer's Model No.		Customer	QUARTZ-1		
Keпо Model No.	KPSP66200MF-08/1.0G	Size	Φ 66mm	No.	KF3.002.617.02
No.	Item	Specification	Test Condition		
1	Impedance	$8\Omega \pm 15\%$	at 800Hz		
2	Resonant Fr. ( $f_0$ )	450Hz $\pm$ 20%			
3	Frequency Range	F0-15.0KHz			
4	Rated Power	1.0W			
5	Max Power	1.5W			
6	S.P.L.	84 $\pm$ 3dB	1W / 1M at 0.8,1.0,1.2,1.5KHz		
7	Distortion	Max 5%	at rated power 1.0kHz		
8	Sweep Test	must be normal	at sine wave 2.83V		
9	Load Test	after test meet item 8	rated noise power, 24 Hrs.		
10	Heat Test	after test meet item 8	50 $\pm$ 2 $^{\circ}$ C 5Hrs.		
11	Cold Test	after test meet item 8	-20 $\pm$ 2 $^{\circ}$ C 5Hrs.		
12	Humidity Test	after test meet item 8	40 $\pm$ 2 $^{\circ}$ C ,90/95%R.H. 5Hrs.		
13	Weight				
14	Polarity Test	When supplied plus D.C. voltage to (+) terminal, the cone must move to forward.			
15	Note				

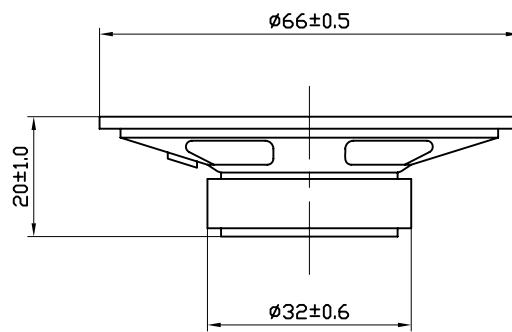
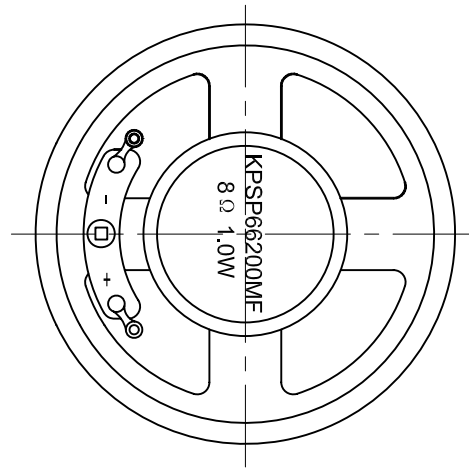
[dB/20.0u Pa]

Output Response (Signal) - Input (Magnitude)

Working : Input : Input : SSR Analyzer



# Dimensions:



FIRST ANGLE PROJECTION

UNIT : mm

Tolerance :  $\pm 0.2$