

# SPECIFICATION

受 控

Customer : QUARTZ

Applied To :

Product Name : SPEAKER



Model Name : KP66145SP1-5306

Drawing No. : KFC5306

Signature of Appronal

--

Signature of KEPO

Approved by	Checkde by	Issued by	Date
		刘敬	



宁波凯普电子有限公司

Ningbo Kepo Electronics Co.,Ltd.

宁波东钱湖镇东钱湖工业区宝源路 25 号

TEL:+86-574-88370330 FAX:+86-574-88370329

No.25 Baoyuan road Dongqian Lake, Industry Area, Dongqian town,Ningbo City,  
China(Post Code:315121)

[Sales@chinaacoustic.com](mailto:Sales@chinaacoustic.com) [www.chinaacoustic.com](http://www.chinaacoustic.com)

Specification for Speaker		Page	2/9
		Revision No.	1.0
Model No.	KP66145SP1-5306	Drawing No.	KFC5306

## CONTENTS

1. Scope
2. General
3. Electrical and Acoustic Characteristics.
4. Reliability Test
5. Measurement Block Diagram & Response curve
6. Structure
7. Dimensions
8. Packing
9. Revision

Specification for Speaker		Page	3/9
		Revision No.	1.0
Model No.	KP66145SP1-5306	Drawing No.	KFC5306

## 1. Scope

This specification is applied to the dynamic speaker which is used all of the electrical acoustic product.

- compact, rich sound
- applications: mobile phone, PDA, notebook computer, etc. ..

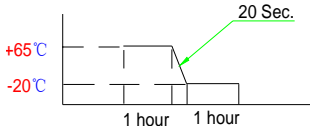
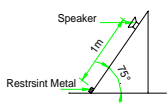
## 2. General

- 2.1 Out-Diameter : 66 mm
- 2.2 Height : 15 mm
- 2.3 Weight : 32.5±5g g
- 2.4 Operating Temperature range:
  - 20 ~+65 °C without loss of function
- 2.5 Store Temperature range:
  - 25 ~+75 °C without loss of function

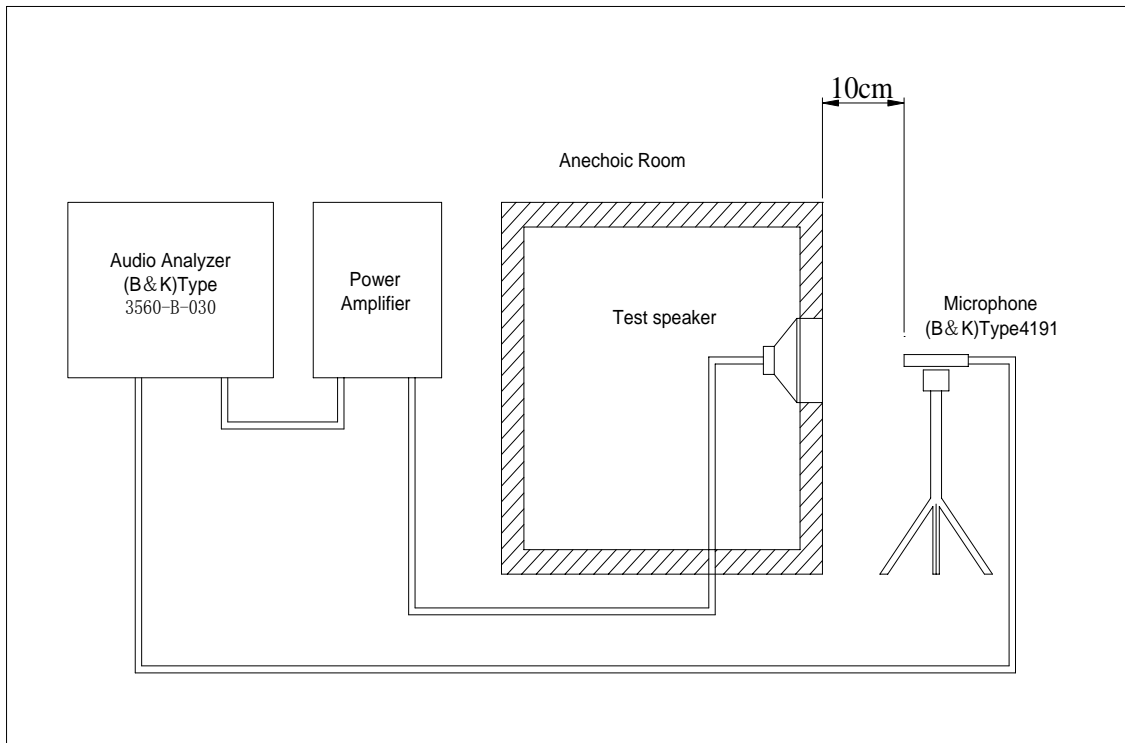
## 3. Electrical and Acoustic Characteristics.

Test condition : 15 ~ 35 °C, 25% ~ 85% RH, 860~1060 mbar

No	Items	Specification
1	Impedance	8 Ω ± 15%
2	Sound Pressure Level	92 dB ± 3dB at 0.1W/0.1M (Average at 500,800,1.2,1.5KHz)
3	Resonance Frequency	400 Hz ± 20% at 1.0V
4	Frequency Range	200 ~5.0KHz
5	Input Power	Rated 1.0 W / Max. 3 W
6	Distortion	<10% Max. at 1kHz/2.83Vrms
7	Buzz and Rattle	Should not be audible buzzes,rattles when the 2.83V sine wave signal swept at frequency range.
8	Polarity	When supplied plus D.C. voltage to (+) terminal, the cone diaphragm must move to forward.

Specification for Speaker		Page	4/9
		Revision No.	1.0
Model No.	KP66145SP1-5306	Drawing No.	KFC5306
<h3>4. Reliability Test</h3> <p>After test(1~7item), the speaker S.P.L . difference shall be within <math>\pm 3\text{dB}</math>, and the appearance not exist any change to be harmful to normal operation (e.g. cracks,rusts,damages and especially distortion).</p>			
No	Items	Specification	
1	High Temperature Test	After being placed in a chamber with $+65\pm 5\text{ }^\circ\text{C}$ for 96 hours and then being placed in natural condition for 1 hour, speaker shall be measured.	
2	Low Temperature Test	After being placed in a chamber with $-20\pm 5\text{ }^\circ\text{C}$ for 96 hours and then being placed in natural condition for 1 hour, speaker shall be measured.	
3	Humidity Test	After being placed in a chamber with $85\pm 5\% \text{R.H.}$ at $+40\pm 5\text{ }^\circ\text{C}$ for 96 hours and then being placed in natural condition for 1 hour, speaker shall be measured.	
4	Thermal Shock Test	<p>After being placed in a chamber at <math>+65\text{ }^\circ\text{C}</math> for 1 hour, then speaker shall be placed in a chamber at <math>-20\text{ }^\circ\text{C}</math> for 1 hour(1 cycle is the below diagram).</p> <p>After 10 above cycles, speaker shall be measured after being placed in natural condition for 1 hour.</p> 	
5	Vibration Test	After being applied vibration of amplitude of 1.5mm with 10 to 55Hz band of vibration frequency to each of 3 perpendicular directions for 1 hour, then placed in natural condition for 1 hour, speaker shall be measured.	
6	Drop Test	<p>A speaker is dropped from 1m in length on <math>75^\circ</math> inclination and a magnetic circuit of speaker is hitted to the restraint metal.</p> <p>After the test, magnetic circuit should not drop out and speaker should be met the item 11,12.</p>	
7	Load test	After being applied loading white noise with input power 1W(2.83Vrms.) for 96 hours, then placed in natural condition for 1 hour, speaker shall be measured.	
8	Insulation test	When they are measured with DC 100V the insulation resistance between v.c. terminal and frame must be more than 1 MΩ	

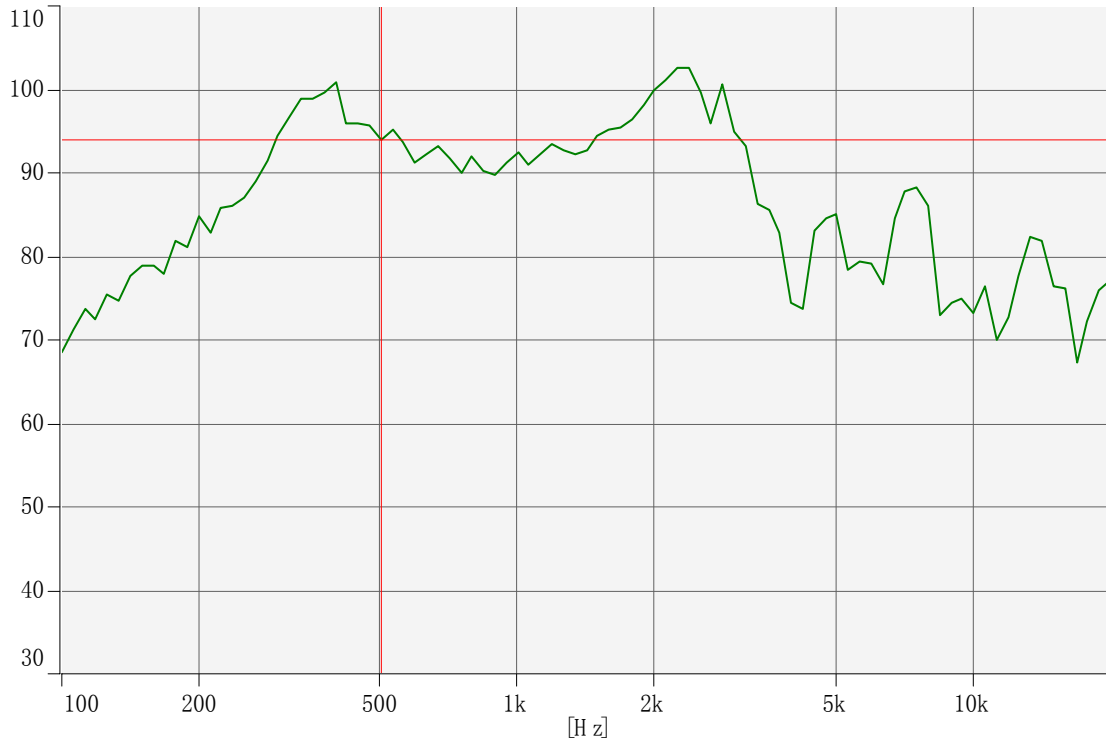
### 5. Measurement Block Diagram & Response curve



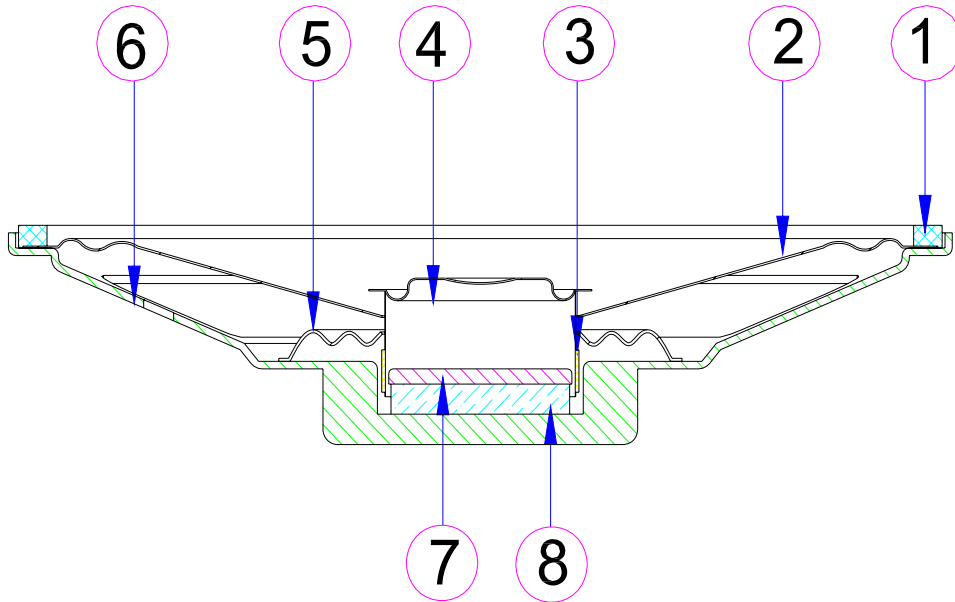
[dB/20.0u Pa]

Output Response (Signal1) - Input (Magnitude)

Working : Input : Input : SSR Analyzer



### 6. Structure



8	Magnet	1	N35	
7	Top Plate	1	SPCC	
6	Frame and Top plate	1	SPCC	
5	Spider	1	silk	
4	Dust Cap	1	Paper	
3	Voice Coil	1	PSV	
2	Paper Cone	1	Paper Cone	
1	Gasket	1	Paper	
No.	Part Name	Q'ty	Material	Remarks

# Specification for Speaker

Page

7/9

Model No.

KP66145SP1-5306

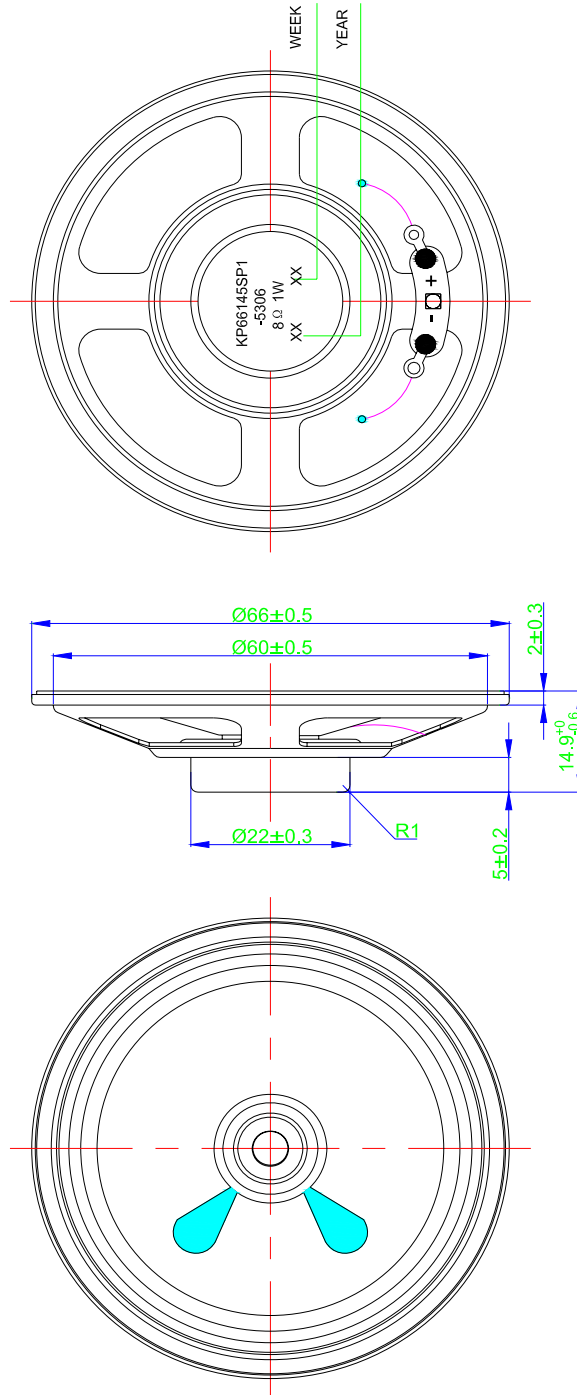
Revision No.

1.0

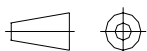
Drawing No.

KFC5306

## 7. Dimensions



FIRST ANGLE PROJECTION



备注：根据客户要求进行丝印。

UNIT : mm

Tolerance :  $\pm 0.2$

Specification for Speaker		Page	8/9
		Revision No.	1.0
Model No.	KP66145SP1-5306	Drawing No.	KFC5306
<h3>8. Packing</h3> <p>Each minimum package unit of products shall be in a carton box and it shall be clearly marked with Part Number ,quantity and outgoing inspection number.</p> <p>There shall be no mechanical damage on products during transportation and/or in storage.</p>			



