

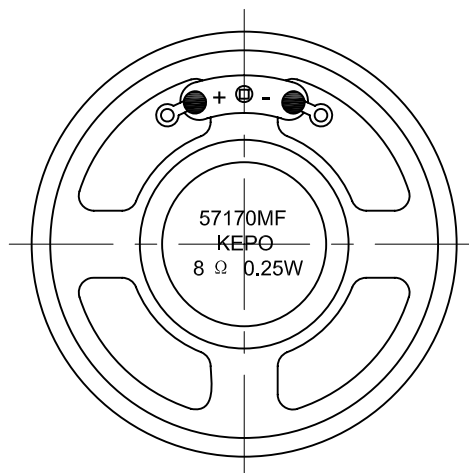
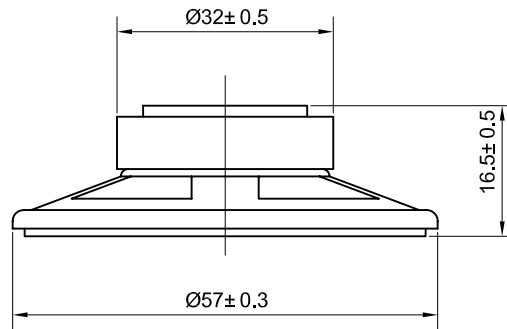
# Speaker Specification

支 控

Customer's Model No.		Customer		QUARTZ-1	
Kepo Model No.		KPSP57170MF-08/0.25G	Size	Φ57mm	No. J19218
No.	Item	Specification	Test Condition		
1	Impedance	8Ω± 15%	at 800Hz		
2	Resonant Fr. (f <sub>0</sub> )	400Hz± 20%			
3	Frequency Range	F0-8.0KHz			
4	Rated Power	0.25W			
5	Max Power	0.5W			
6	S.P.L.	94± 3dB	0.1W / 0.1M at AVG0.8,1.0,1.2,1.5 KHz		
7	Distortion	Max 5%	at rated power 1.0kHz		
8	Sweep Test	must be normal	at sine wave 1.4V		
9	Load Test	after test meet item 8	rated noise power, 24 Hrs.		
10	Heat Test	after test meet item 8	50± 2℃ 5Hrs.		
11	Cold Test	after test meet item 8	-20± 2℃ 5Hrs.		
12	Humidity Test	after test meet item 8	40± 2℃ ,90/95%R.H. 5Hrs.		
13	Weight				
14	Polarity Test	When supplied plus D.C. voltage to (+) terminal, the cone must move to forward.			
15	Note				



# Dimensions:



FIRST ANGLE PROJECTION

UNIT : mm  
Tolerance :  $\pm 0.2$