

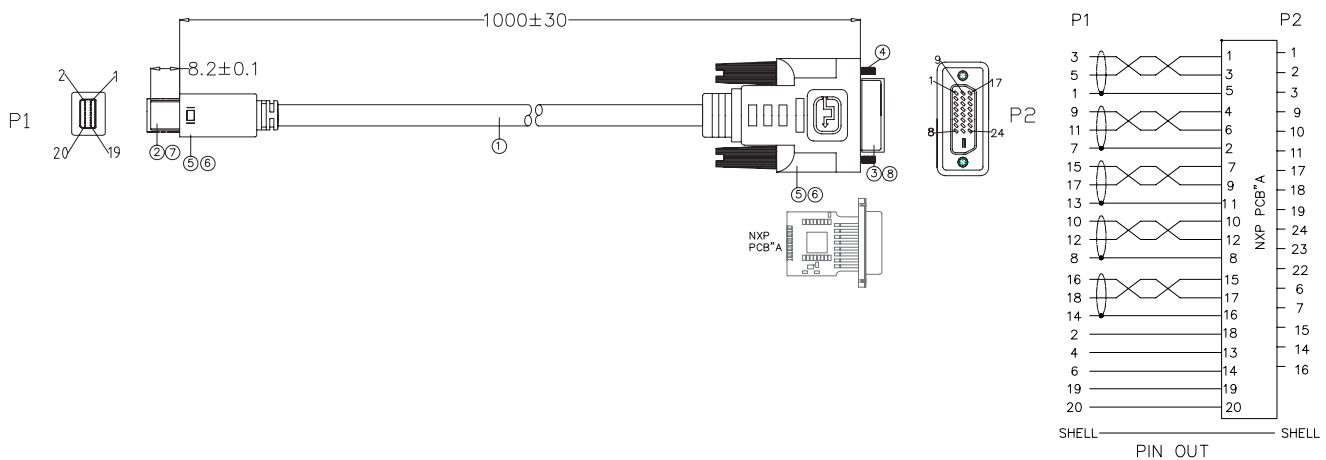
Mini DisplayPort 1.2 to DVI Lead



Specifications

Inter Series Connector A	:	DisplayPort
Convert From Positions	:	1 Ways
Convert From Gender	:	Plug
Inter Series Connector B	:	DVI
Convert To Positions	:	1 Ways
Convert To Gender	:	Plug
Conductive Resistance	:	3Ω (Max.)
Insulation Resistance	:	5MΩ (Min.)

Diagram



Note:

- Cable: [(7/0.08TC)×1P+D(7/0.08TC)+FAM]×5+(7/0.08TC)×5C+AL-FOIL+Drain Wire (7/0.08TC)+Braid(80/0.12AL-MG)
Black PVC Jacket, OD : 5 ±0.2mm
- Connector :Mini Displayport Male Soldering White Insulation, the Pin Gold Plated and Shell Nickel.
- Connector :DVI Male soldering White Insulation, the Pin Gold Plated and Shell Nickel.
- 4-40#
- Inner Molded: LDPE
- Outer Molded: 45P PVC Black
- Outer Molded: 45P PVC
- Outer Molded: 45P PVC

Part Number Table

Description	Part Number
Mini DisplayPort 1.2 to DVI Lead, 1m, Black	PSG91185

Dimensions : Millimetres

Important Notice : This data sheet and its contents (the "Information") belong to the members of the AVNET group of companies (the "Group") or are licensed to it. No licence is granted for the use of it other than for information purposes in connection with the products to which it relates. No licence of any intellectual property rights is granted. The Information is subject to change without notice and replaces all data sheets previously supplied. The Information supplied is believed to be accurate but the Group assumes no responsibility for its accuracy or completeness, any error in or omission from it or for any use made of it. Users of this data sheet should check for themselves the Information and the suitability of the products for their purpose and not make any assumptions based on information included or omitted. Liability for loss or damage resulting from any reliance on the Information or use of it (including liability resulting from negligence or where the Group was aware of the possibility of such loss or damage arising) is excluded. This will not operate to limit or restrict the Group's liability for death or personal injury resulting from its negligence. pro-SIGNAL is the registered trademark of Premier Farnell Limited 2019.

Newark.com/exclusive-brands
Farnell.com/exclusive-brands
Element14.com/exclusive-brands

