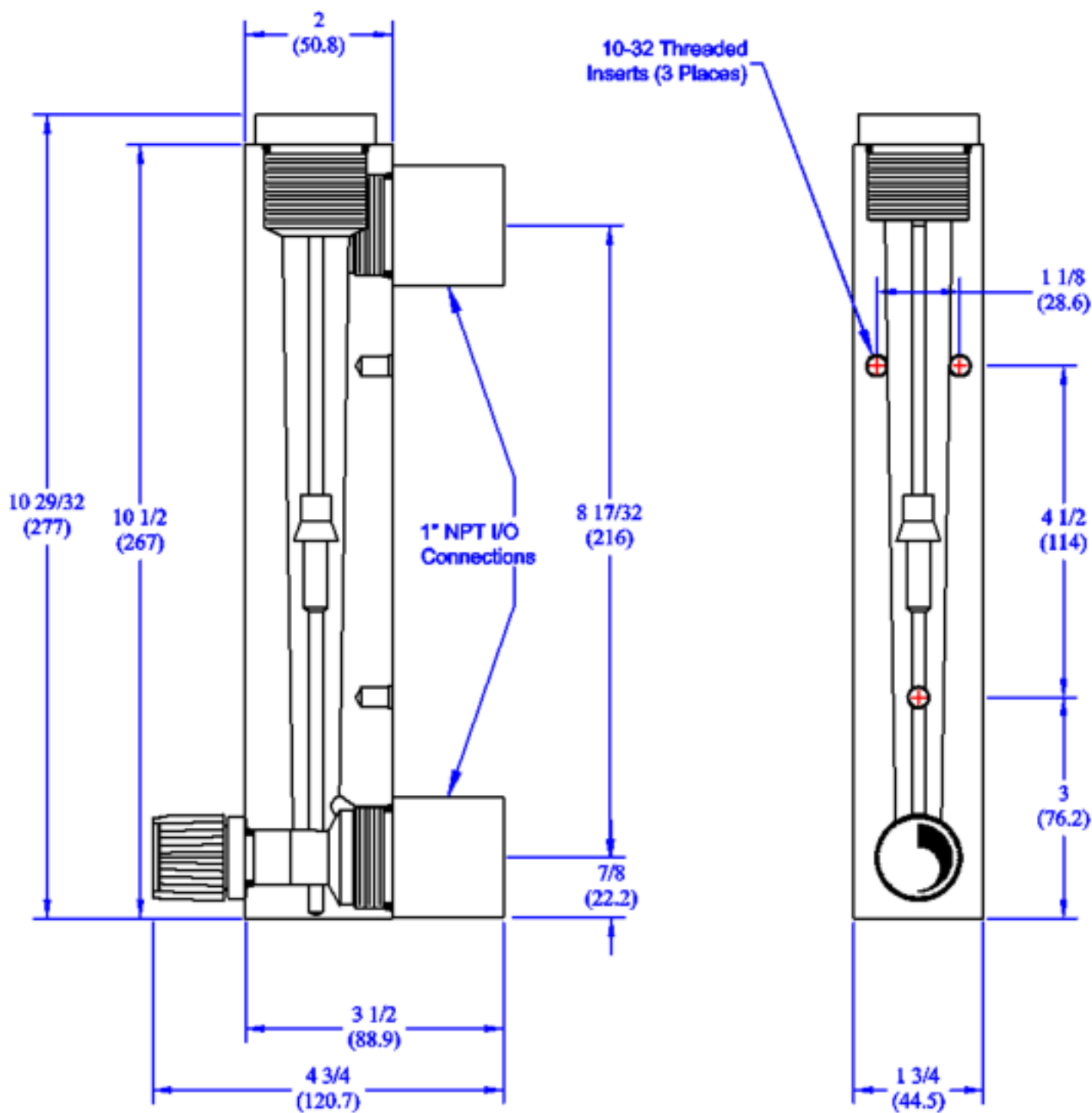


Series FR 5000 Flowmeters

SPECIFICATIONS	
ACCURACY:	+/- 2% FULL SCALE
FLOAT:	STAINLESS STEEL
BODY:	CLEAR ACRYLIC
SEALS:	BUNA - N
PRESSURE:	100 PSIG MAX
TEMPERATURE:	150°F/65°C MAX
FITTINGS:	1" FNPT PVC PIPE CONNECTORS
VALVES: (OPTIONAL)	INTEGRAL VALVE ON "S" MODELS IN-LINE GATE VALVE ON "S" OR "I" MODELS

FR5000-S and FR5000-V Series Flowmeters

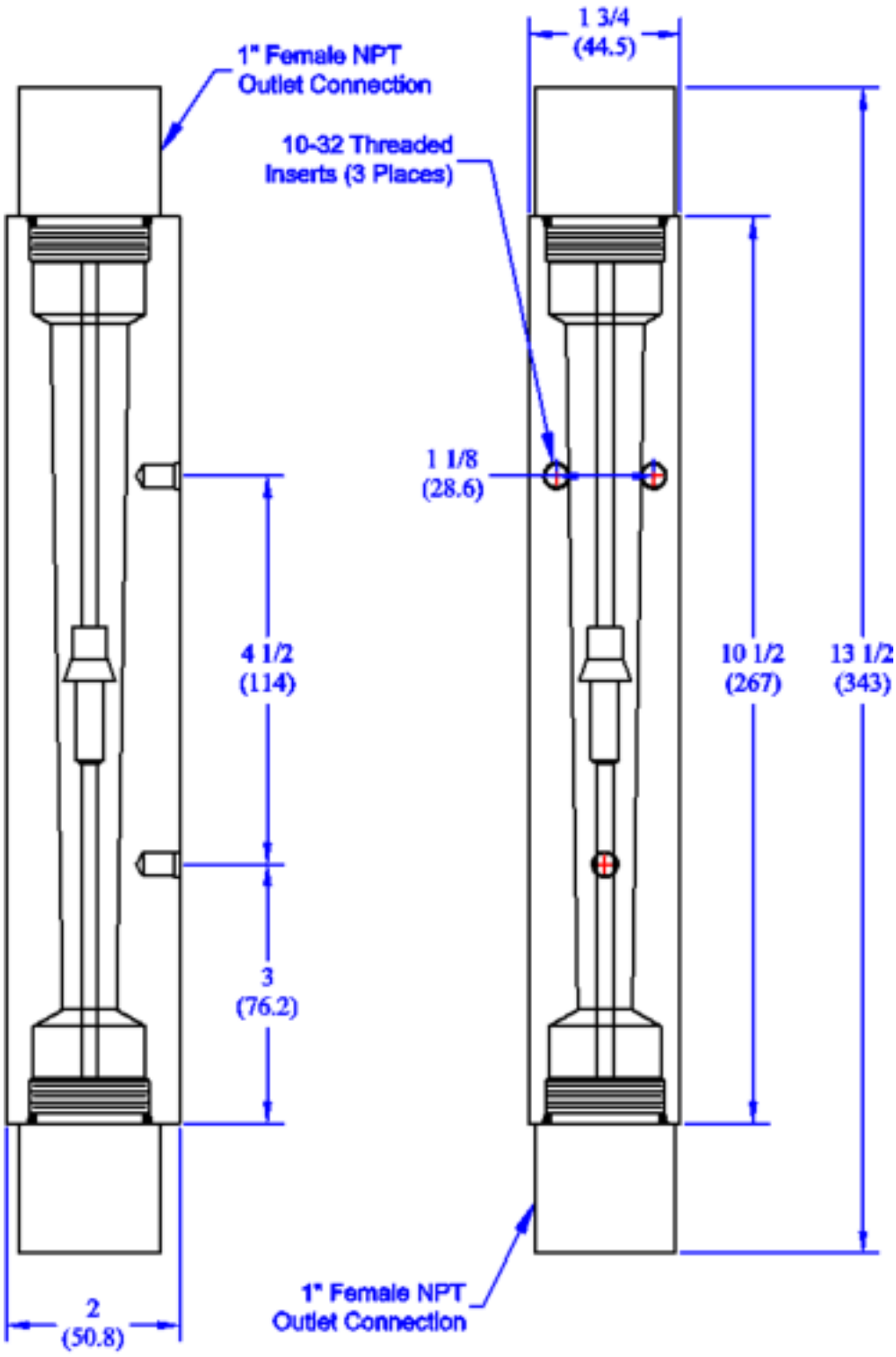


Dimensions in Inches (mm)

**SERIES FR5000-S OR V FLOW RATES
TABLE D**

RANGE	MODEL	RANGE	MODEL
SCFM OF AIR	CODE	GPM OF WATER	CODE
3-25	5A50	.4-5	5L56
4-50	5A51	1-10	5L57
10-100	5A52	2-20	5L58
LPM OF AIR		LPM OF WATER	
100-700	5A53	1-19	5L59
100-1400	5A54	4-36	5L60
400-3400	5A55	5-75	5L61

FR5000-I Series Flowmeters



Dimensions in Inches (mm)

**SERIES FR5000-I FLOW RATES
TABLE E**

RANGE	MODEL	RANGE	MODEL
SCFM OF AIR	CODE	GPM OF WATER	CODE
3-25	5A50	.4-5	5L56
4-50	5A51	1-10	5L57
10-100	5A52	2-20	5L58
LPM OF AIR		LPM OF WATER	
100-700	5A53	1-19	5L59
100-1400	5A54	4-36	5L60
400-4000	5A55	5-75	5L61

Ordering Chart

**EXAMPLE - FR5A52PS 10-100 SCFM AIR, WITH 1" FNPT PVC BACK FITTINGS FOR
PANEL MOUNTING**

FR	MODEL CODE FROM TABLES D or E	FITTING MATERIAL⁴	FITTING/VALVE⁵
	5A52	P	S

FITTING MATERIALS	FITTING/VALVES
P - PVC (STD) WITH BUNA-N O-RINGS	S - BACK CONNECTIONS (STD) I - END CONNECTION V = VALVE (BACK CONNECTION ONLY)