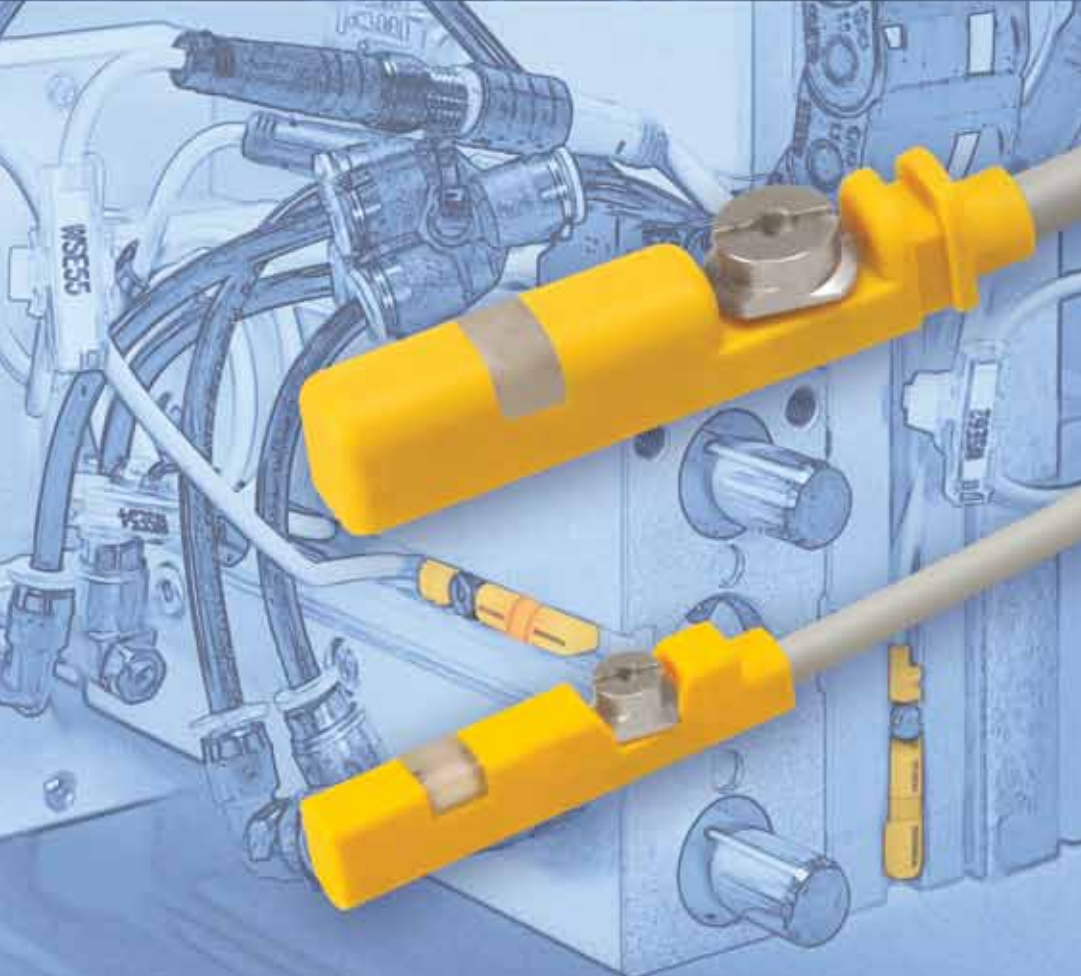
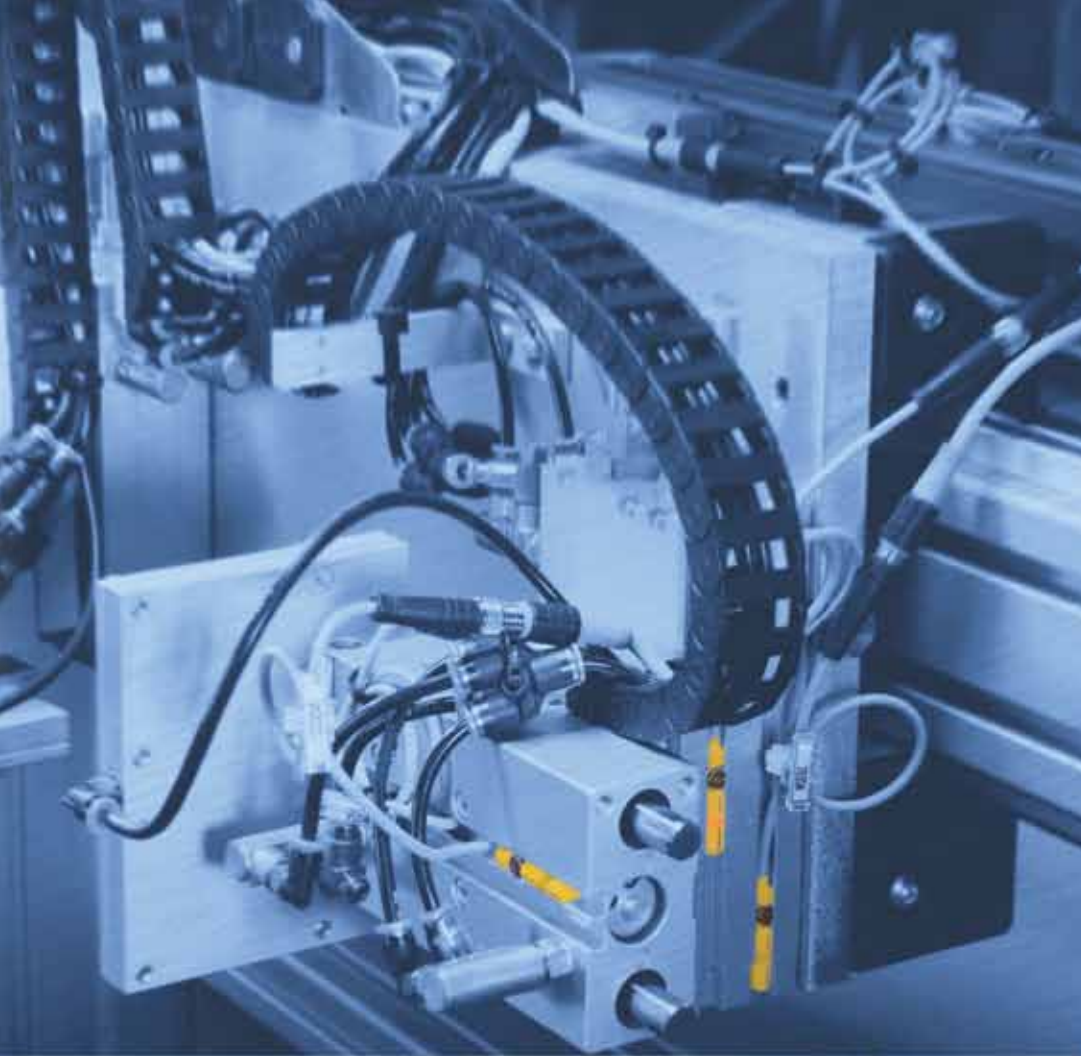


TURCK
works.

CYLINDER POSITION SENSORS



....Sense It!....Connect It!....Bus It!....Solve It!

This document provided by Barr-Thorp Electric Co., Inc. 800-473-9123 www.barr-thorp.com

www.turck.us

CYLINDER POSITION

WHAT IS A MAGNETO-RESISTIVE SENSOR?

TURCK cylinder position sensors are used for the detection of magnet equipped pistons on pneumatic cylinders through a nonmagnetic wall. A patented, state of the art electronic magnetic circuit is the basis of operation for these sensors. These sensors are manufactured using a polypropylene over-molding technology, which allows the sensor to be completely sealed into small sizes without compromising durability. The small size also allows for very low profiles that reduce the chance of damage when mounted to the outside of the cylinder.

TURCK has taken the approach of using two sensor styles, along with various adapter brackets, to fit individual cylinder's for the majority of applications. The "UNT" and "UNR" housings were designed to fit into specific grooves found in extruded profile type cylinders, as well as standalone devices without the need for any additional brackets. The UNT style was made to fit into a standard "T" groove and the UNR was made for the "C" groove, neither requiring additional hardware for standard mounting. Both of these designs allow the sensor to be dropped in from above anywhere along the span of the cylinder.

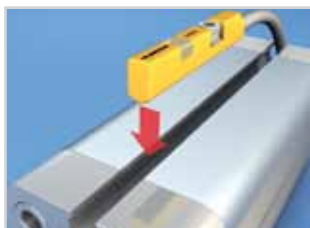
WHERE CAN I USE A MAGNETO-RESISTIVE SENSOR?

- Material handling
- Automated assembly
- Stamping
- Conveying
- Sorting
- Product positioning
- Industrial robots

WHY CHOOSE TURCK MAGNETO-RESISTIVE SENSORS?

Reliable mounting

The sensor is mounted in the cylinder's groove and tightened with a screw. Located near the cable outlet, the screw helps make sure the sensor doesn't move during vibration or if the cable is pulled.



Secure installation

A wing screw made of tool steel only requires a quarter-turn to tighten securely.



Compact housing style

UNT models measure only 28 mm, while UNR models measure only 18 mm; making them the most compact sensors available on the market. Since the active sensing face is located at the sensor's end, the piston can be detected up to the end—even on compact short stroke cylinders.



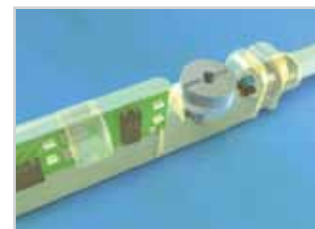
Visible LED

A bright LED indicates the current switching status, and is visible from any position.



Standards

Magneto-resistive technology enables the sensor to detect the exact position of the magnet, while avoiding multiple switching points. It also exceeds the IEC standard, EN60947-5-2 and EN 61000-4-6, making it immune to high levels of EMC.



Optional accessories

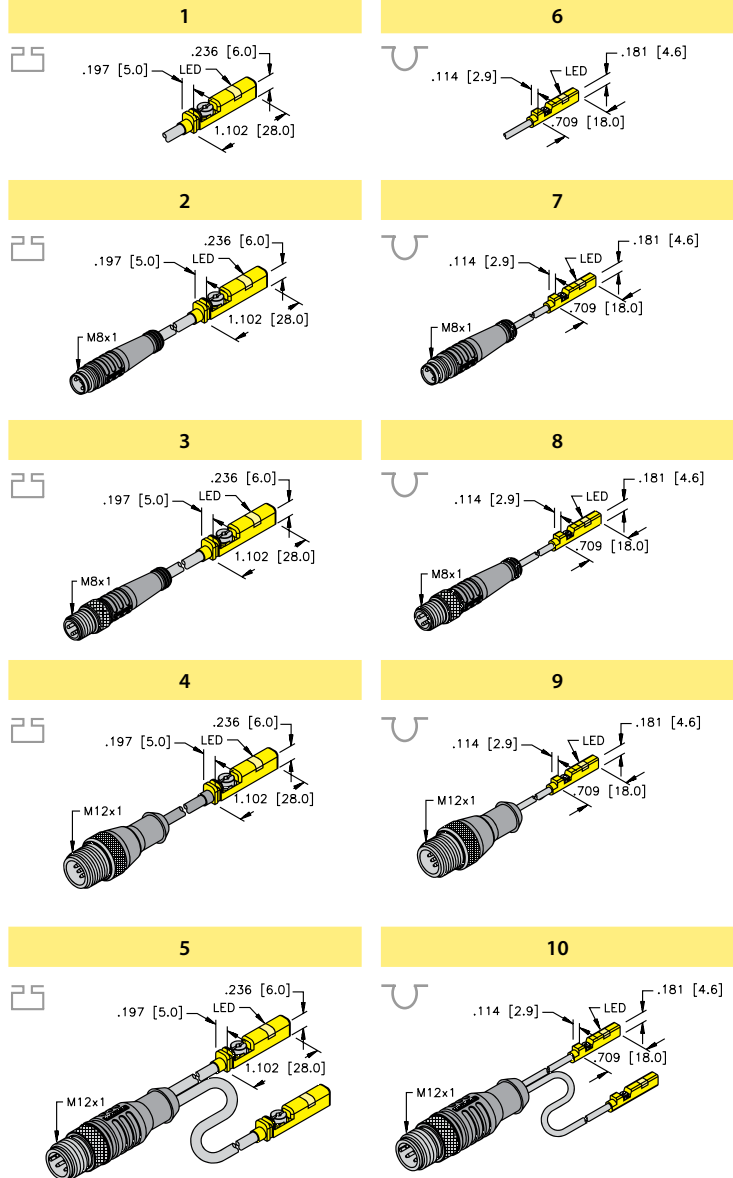
A large range of accessories are available for mounting, adjustment and installation, as well as clips for cable routing.



ON SENSORS

Part Number	ID Number	Drawing
BIM-UNT, Potted-in cable, 2M and 7M PUR cable		
BIM-UNT-AP6X	S4685720	1
BIM-UNT-AN6X	S4685702	1
BIM-UNT-AP6X 7M	S4685721	1
BIM-UNT-AN6X 7M	S4685701	1
BIM-UNT, M8 picofast® quick-disconnect pigtail, 0.3M PUR cable		
BIM-UNT-AP6X-0.3M-PSG 3S	S4685722	2
BIM-UNT-AN6X-0.3M-PSG 3S	S4685705	2
BIM-UNT, M8 picofast® threaded pigtail, 0.3M PUR cable		
BIM-UNT-AP6X-0.3M-PSG 3M	S4685723	3
BIM-UNT-AN6X-0.3M-PSG 3M	S4685706	3
BIM-UNT, M12 eurofast® quick-disconnect pigtail, 0.3M PUR cable		
BIM-UNT-AP6X-0.3M-RS 4T	S46857260	4
BIM-UNT Dually, M12 eurofast® threaded pigtail, 0.2M PUR cable		
BIM-UNT-2AP6X-0.2M-RSC 4.4T	S4685891	5
BIM-UNR, Potted-in cable, 2M and 7M PUR cable		
BIM-UNR-AP6X W/M	S4685842	6
BIM-UNR-AN6X W/M	S4685847	6
BIM-UNR-AN6X 7M W/M	S4685851	6
BIM-UNR-AP6X 7M W/M	S4685846	6
BIM-UNR, M8 picofast® quick-disconnect pigtail, 0.3M PUR cable		
BIM-UNR-AP6X-0.3M-PSG 3S W/M	S4685843	7
BIM-UNR-AN6X-0.3M-PSG 3S W/M	S4685848	7
BIM-UNR, M8 picofast® threaded pigtail, 0.3M PUR cable		
BIM-UNR-AP6X-0.3M-PSG 3M W/M	S4685844	8
BIM-UNR-AN6X-0.3M-PSG 3M W/M	S4685849	8
BIM-UNR, M12 eurofast® threaded pigtail, 0.3M PUR cable		
BIM-UNR-AP6X-0.3M-RS 4T W/M	S4685845	9
BIM-UNR-AN6X-0.3M-RS 4T W/M	S4685850	9
BIM-UNR Dually, M12 eurofast® quick-disconnect pigtail, 0.2M PUR cable		
BIM-UNR-2AP6X-0.2M-RSC 4.4T	S4685899	10

Dimensional Drawings



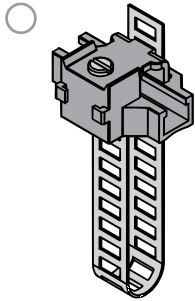
Technical Specifications:

Ambient Temperature:	-25° to +70°C (-13° to 158°F)
Operating Voltage:	10-30 VDC
Ripple V_{pp} :	$\leq 10\% U_{ss}$
No-load Current I_o :	≤ 15 mA
Off-state Current:	≤ 0.1 mA
Switching Frequency:	UNT: ≤ 1 kHz; UNR: ≤ 0.3 kHz
Rated Operating Current:	UNT: DC ≤ 150 mA; UNR: DC ≤ 100 mA
Output Function:	3-wire, N.O., PNP/NPN

Short-circuit Protection:	Yes / Cyclic
Voltage Drop I_e :	≤ 1.8 V
Vibration Resistance:	55 Hz (1mm)
Shock Resistance:	30 g (11 ms)
Degree of Protection:	IP67
Overtravel Speed:	UNT: 10 m/s; UNR: 3 m/s
Wire-break/ Reverse Polarity Protection:	Yes
weldguard Protection:	Yes, add "/S1589" to part number

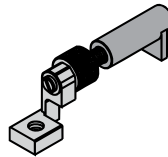
Mounting Accessories

KLRC-UNT*

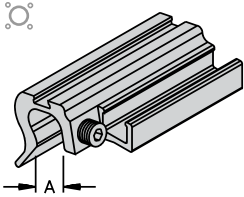


Part Number	Cylinder Diameter
KLRC-UNT1	.315-0.984 in [8-25 mm]
KLRC-UNT2	.984-2.480 in [25-63 mm]
KLRC-UNT3	2.480-5.118 in [63-130 mm]

UNT-Adjusting Bracket

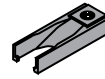


KLZ*-INT

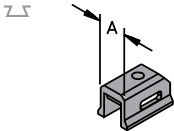


Part Number	Tie Rod Diameter 'A'
KLZ1-INT	.295 in [7.5 mm]
KLZ2-INT	.374 in [9.5 mm]
KLZ3-INT	.433 in [11.0 mm]

UNT-Stopper



KLDT-UNT*

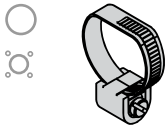


Part Number	Groove Width 'A'
KLDT-UNT2	.276 in [7.0 mm]
KLDT-UNT3	.370 in [9.4 mm]
KLDT-UNT4	.453 in [11.5 mm]
KLDT-UNT5	.496 in [12.6 mm]

UNT (INT) Cable Clip

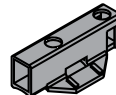


ASB-*



Part Number	Cylinder Diameter
ASB-1 STRAP	.276-.433 in [7-11 mm]
ASB-2 STRAP	.433-.748 in [11-19 mm]
ASB-3 STRAP	.709-1.142 in [18-29 mm]
ASB-4 STRAP	1.102-1.535 in [28-39 mm]
ASB-5 STRAP	1.496-1.929 in [38-49 mm]
ASB-6 STRAP	1.890-2.323 in [48-59 mm]
ASB-7 STRAP	2.283-2.717 in [58-69 mm]
ASB-8 STRAP	2.677-3.110 in [68-79 mm]
ASB-9 STRAP	3.071-3.504 in [78-89 mm]

KLR-2UNR



USA

TURCK Inc.
3000 Campus Drive
Minneapolis, MN 55441
Phone: (763) 553-7300
Fax: (763) 553-0708
Application Support:
1-800-544-7769



MEXICO

TURCK MEXICO S. DE R.L. DE C.V.
Carr. Saltillo-Zacatecas km 4.5 s/n
Parque Industrial "La Angostura"
Saltillo, COAH. C.P. 25070
Mexico
Phone: +52 (844) 411-6647/46
Fax: +52 (844) 482-6926
Local Toll Free: 01-800-01-88725
E-mail: ventasmexico@turck.com



CANADA

CHARTWELL AUTOMATION, INC.
140 Duffield Drive
Markham, Ontario
Canada, L6G 1B5
Phone: (905) 513-7100
Fax: (905) 513-7101
Toll Free: 1-877-513-7769



GERMANY

WORLD HEADQUARTERS
Hans TURCK GmbH & Co. KG
Witzlebenstrasse 7
D-45472 Muelheim an der Ruhr
Federal Republic of Germany
Phone: (+49) 208-49 52-0
Fax: (+49) 208-49 52 264



AUSTRALIA

TURCK Australia Pty. Ltd.
Unit 5, 6-7 Gilda Court
Mulgrave, Victoria 3170
Australia
Phone: (+61) 3 9560 9066
Fax: (+61) 3 9560 1620
Local Toll Free: 1300 132566
E-mail: turckaustralia@turck.com

www.turck.com

©2010 by TURCK Inc. All rights reserved.
No part of the publication may be
reproduced without written permission.