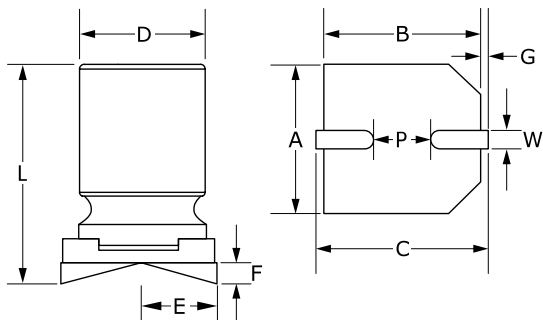


A765, Polymer Aluminum, 105C LowZ, 220 uF, 20%, 6.3 VDC, -55/+105C



**Dimensions**

<b>D</b>	5mm +/-0.5mm
<b>L</b>	7mm +/-0.3mm
<b>W</b>	0.5 - 0.8mm
<b>F</b>	0.2mm MAX
<b>A</b>	5.3mm +/-0.2mm
<b>B</b>	5.3mm +/-0.2mm
<b>C</b>	6mm +/-0.2mm
<b>E</b>	2.3mm +/-0.2mm
<b>G</b>	0.35mm +/-0.2mm
<b>P</b>	1.4mm +/-0.2mm

**Packaging Specifications**

<b>Packaging:</b>	T&R, 380mm
<b>Packaging Quantity:</b>	1000

**General Information**

<b>Supplier:</b>	KEMET
<b>Series:</b>	A765
<b>Dielectric:</b>	Polymer Aluminum
<b>Style:</b>	SMD Can
<b>Description:</b>	Surface Mount, Polymer Aluminum
<b>RoHS:</b>	Yes
<b>Lead:</b>	V-Chip

**Specifications**

<b>Capacitance:</b>	220 uF
<b>Capacitance Tolerance:</b>	20%
<b>Voltage DC:</b>	6.3 VDC, 7.2 VDC (Surge)
<b>Temperature Range:</b>	-55/+105C
<b>Rated Temperature:</b>	105C
<b>Life:</b>	2000 Hrs
<b>Resistance:</b>	20 mOhms (100kHz 20C)
<b>Ripple Current:</b>	2700 mAmps (100kHz 105C)
<b>Leakage Current:</b>	300 uA (2min 20C)
<b>Impedance Ratio at -25C:</b>	1.25
<b>Impedance Ratio at -55C:</b>	1.25
<b>High Temperature Solder:</b>	No