

Thin Film Chip Resistors

MCTC05 Series

multicomp^{PRO}

RoHS
Compliant

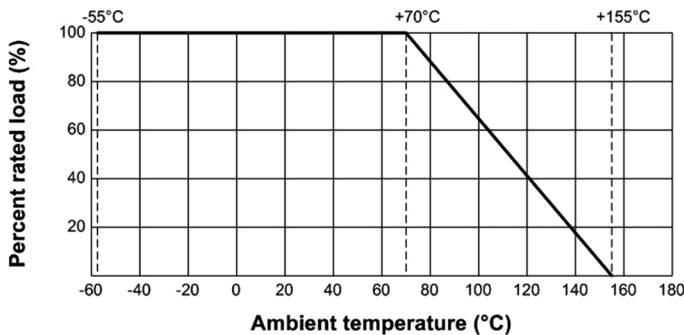


Specifications

| | |
|---------------------------------|-------------------|
| Case Size | : 0805 |
| Power Rating at 70°C | : 0.125W (1/8W) |
| Max. Working Voltage | : 150V |
| Max. Overload Voltage | : 300V |
| Dielectric Withstanding Voltage | : 500V |
| Temperature Range | : -55°C to +155°C |
| Ambient Temperature | : 70°C |
| Resistance Tolerance | : ±0.1% |
| Resistance Range | : 10Ω to 1MΩ |

Power Rating

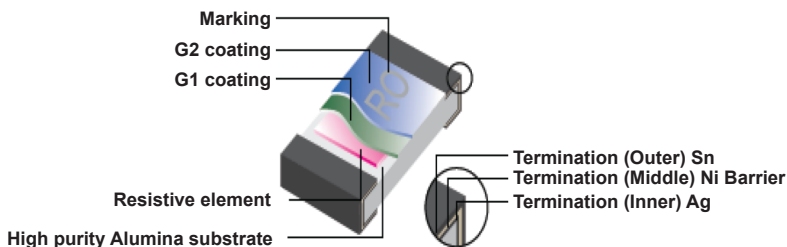
Resistors shall have a power rating based on continuous load operation at an ambient temperature of 70°C. The load shall be derate as shown in below figure.



Nominal Resistance

Effective figures of nominal resistance shall be in accordance with E-24 and E-96 series. E-96 series for 1%, 0.5%, 0.25%, 0.1% and E-24 series for 2%, 5%, 10%

Construction



Newark.com/multicomp-pro
Farnell.com/multicomp-pro
Element14.com/multicomp-pro

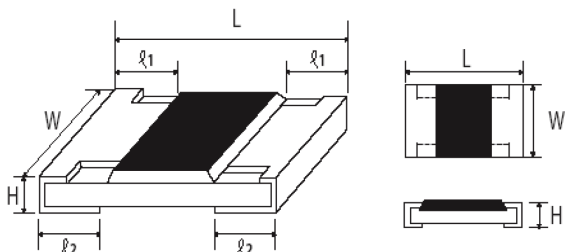
multicomp^{PRO}

Thin Film Chip Resistors

MCTC05 Series

multicomp PRO

Dimensions and Power Rating



| Series | L | W | H | l1 | l2 |
|--------|---------|---------------------------------------|-----------|----------|----------|
| MCTC05 | 2 ±0.15 | 1.25 ^{+0.15} _{-0.1} | 0.55 ±0.1 | 0.3 ±0.2 | 0.4 ±0.2 |

Dimensions : Millimetres

| Series | Power Rating at 70°C | Tolerance % | Resistance Range | Standard Series | PPM/°C |
|--------|----------------------|-------------|------------------|-----------------|--------|
| MCTC05 | 0.125W (1/8W) | ±0.1 | 10Ω to 1MΩ | E-96 | 50 |

Performance Specification

| Characteristics | Limits | Test Methods (JIS C 5201-1) |
|-------------------------|----------------------------------|---|
| Temperature Coefficient | ±25 PPM/°C | Natural resistance change per temperature degree centigrade. $\frac{R_2 - R_1}{R_1(t_2 - t_1)} \times 10^6 \text{ (PPM/°C)}$ R1: Resistance value at room temperature (t1) R2: Resistance value at room temp. plus 100°C (t2) |
| Short time Overload | ΔR/R: ±0.5% | Permanent resistance change after the application of 2.5 times RCWV for 5 seconds |
| Insulation Resistance | >1000MΩ | Apply 100V DC for 1 minute |
| Load Life | ΔR/R: ±0.2% >7KΩ ΔR/R ≤ ±0.5% | RCWV 70°C, 1.5hours on, 0.5 hours off, total 1,000 hours. |
| Humidity (steady state) | ΔR/R: ±0.3% | 40°C, 90 to 95%RH, RCWV 1.5 hours on, 0.5 hours off, total 1,000 hours. |
| Terminal Bending | ΔR/R: ±0.2% | Twist of test board: Y/X = 3/90 mm for 10Seconds |
| Solderability | 95% coverage min. | Wave solder: Test temperature of solder: 245°C ±5°C dipping time in solder: 2~3 seconds. |
| Soldering Heat | ΔR/R: ±0.2% | Dip the resistor into a solder bath having a temperature of 260°C ±5°C and hold it for 10±1 seconds. |

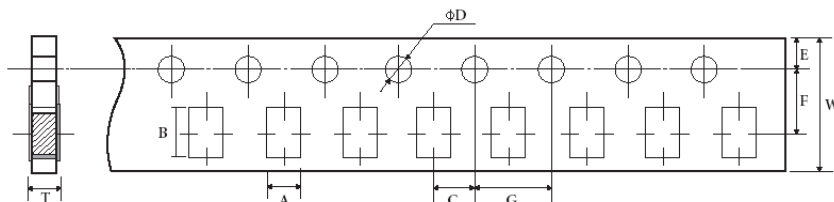
Thin Film Chip Resistors

MCTC05 Series

multicomp PRO

Packing Specification

Taping Dimension

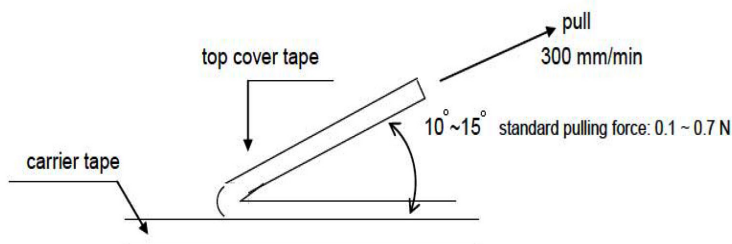


| Series | A ±0.2 | B ±0.2 | C ±0.05 | ΦD ^{+0.1} / ₀ | E ±0.1 | F ±0.05 | G ±0.1 | W ±0.2 | T ±0.1 |
|--------|--------|--------|---------|-----------------------------------|--------|---------|--------|--------|--------|
| MCTC05 | 1.65 | 2.4 | 2 | 1.5 | 1.75 | 3.5 | 4 | 8 | 0.81 |

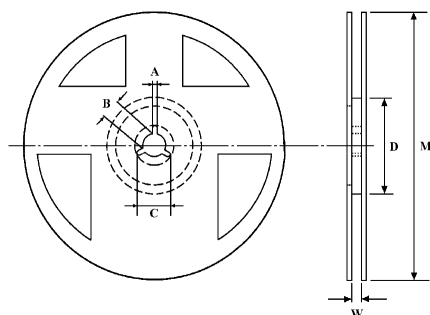
Dimensions : Millimetres

Peeling Strength of Top Cover Tape

Test Condition: 0.1 to 0.7 N at a peel-off speed of 300mm / min.



Reel Dimension



| Series | A ±0.5 | B ± 0.5 | C ±0.5 | D ±1 | M ±2 | W ±1 |
|--------|--------|---------|--------|------|------|------|
| MCTC05 | 2 | 13 | 21 | 60 | 178 | 10 |

Dimensions : Millimetres

Thin Film Chip Resistors

MCTC05 Series

multicomp PRO

Part Number Table

| Description | Part Number | Description | Part Number |
|--------------------------------------|------------------|--------------------------------------|------------------|
| Resistor, 10R, 0805 0.1% 25PPM 1/8W | MCTC0525B100JT5G | Resistor, 24R9, 0805 0.1% 25PPM 1/8W | MCTC0525B249JT5G |
| Resistor, 10R2, 0805 0.1% 25PPM 1/8W | MCTC0525B102JT5G | Resistor, 25R5, 0805 0.1% 25PPM 1/8W | MCTC0525B255JT5G |
| Resistor, 10R5, 0805 0.1% 25PPM 1/8W | MCTC0525B105JT5G | Resistor, 26R1, 0805 0.1% 25PPM 1/8W | MCTC0525B261JT5G |
| Resistor, 10R7, 0805 0.1% 25PPM 1/8W | MCTC0525B107JT5G | Resistor, 26R7, 0805 0.1% 25PPM 1/8W | MCTC0525B267JT5G |
| Resistor, 11R, 0805 0.1% 25PPM 1/8W | MCTC0525B110JT5G | Resistor, 27R4, 0805 0.1% 25PPM 1/8W | MCTC0525B274JT5G |
| Resistor, 11R3, 0805 0.1% 25PPM 1/8W | MCTC0525B113JT5G | Resistor, 28R, 0805 0.1% 25PPM 1/8W | MCTC0525B280JT5G |
| Resistor, 11R5, 0805 0.1% 25PPM 1/8W | MCTC0525B115JT5G | Resistor, 28R7, 0805 0.1% 25PPM 1/8W | MCTC0525B287JT5G |
| Resistor, 11R8, 0805 0.1% 25PPM 1/8W | MCTC0525B118JT5G | Resistor, 29R4, 0805 0.1% 25PPM 1/8W | MCTC0525B294JT5G |
| Resistor, 12R1, 0805 0.1% 25PPM 1/8W | MCTC0525B121JT5G | Resistor, 30R1, 0805 0.1% 25PPM 1/8W | MCTC0525B301JT5G |
| Resistor, 12R4, 0805 0.1% 25PPM 1/8W | MCTC0525B124JT5G | Resistor, 30R9, 0805 0.1% 25PPM 1/8W | MCTC0525B309JT5G |
| Resistor, 12R7, 0805 0.1% 25PPM 1/8W | MCTC0525B127JT5G | Resistor, 31R6, 0805 0.1% 25PPM 1/8W | MCTC0525B316JT5G |
| Resistor, 13R, 0805 0.1% 25PPM 1/8W | MCTC0525B130JT5G | Resistor, 32R4, 0805 0.1% 25PPM 1/8W | MCTC0525B324JT5G |
| Resistor, 13R3, 0805 0.1% 25PPM 1/8W | MCTC0525B133JT5G | Resistor, 33R2, 0805 0.1% 25PPM 1/8W | MCTC0525B332JT5G |
| Resistor, 13R7, 0805 0.1% 25PPM 1/8W | MCTC0525B137JT5G | Resistor, 34R, 0805 0.1% 25PPM 1/8W | MCTC0525B340JT5G |
| Resistor, 14R, 0805 0.1% 25PPM 1/8W | MCTC0525B140JT5G | Resistor, 34R8, 0805 0.1% 25PPM 1/8W | MCTC0525B348JT5G |
| Resistor, 14R3, 0805 0.1% 25PPM 1/8W | MCTC0525B143JT5G | Resistor, 35R7, 0805 0.1% 25PPM 1/8W | MCTC0525B357JT5G |
| Resistor, 14R7, 0805 0.1% 25PPM 1/8W | MCTC0525B147JT5G | Resistor, 36R5, 0805 0.1% 25PPM 1/8W | MCTC0525B365JT5G |
| Resistor, 15R, 0805 0.1% 25PPM 1/8W | MCTC0525B150JT5G | Resistor, 37R4, 0805 0.1% 25PPM 1/8W | MCTC0525B374JT5G |
| Resistor, 15R4, 0805 0.1% 25PPM 1/8W | MCTC0525B154JT5G | Resistor, 38R3, 0805 0.1% 25PPM 1/8W | MCTC0525B383JT5G |
| Resistor, 15R8, 0805 0.1% 25PPM 1/8W | MCTC0525B158JT5G | Resistor, 39R2, 0805 0.1% 25PPM 1/8W | MCTC0525B392JT5G |
| Resistor, 16R2, 0805 0.1% 25PPM 1/8W | MCTC0525B162JT5G | Resistor, 40R2, 0805 0.1% 25PPM 1/8W | MCTC0525B402JT5G |
| Resistor, 16R5, 0805 0.1% 25PPM 1/8W | MCTC0525B165JT5G | Resistor, 41R2, 0805 0.1% 25PPM 1/8W | MCTC0525B412JT5G |
| Resistor, 16R9, 0805 0.1% 25PPM 1/8W | MCTC0525B169JT5G | Resistor, 42R2, 0805 0.1% 25PPM 1/8W | MCTC0525B422JT5G |
| Resistor, 17R4, 0805 0.1% 25PPM 1/8W | MCTC0525B174JT5G | Resistor, 43R2, 0805 0.1% 25PPM 1/8W | MCTC0525B432JT5G |
| Resistor, 17R8, 0805 0.1% 25PPM 1/8W | MCTC0525B178JT5G | Resistor, 44R2, 0805 0.1% 25PPM 1/8W | MCTC0525B442JT5G |
| Resistor, 18R2, 0805 0.1% 25PPM 1/8W | MCTC0525B182JT5G | Resistor, 45R3, 0805 0.1% 25PPM 1/8W | MCTC0525B453JT5G |
| Resistor, 18R7, 0805 0.1% 25PPM 1/8W | MCTC0525B187JT5G | Resistor, 46R4, 0805 0.1% 25PPM 1/8W | MCTC0525B464JT5G |
| Resistor, 19R1, 0805 0.1% 25PPM 1/8W | MCTC0525B191JT5G | Resistor, 47R5, 0805 0.1% 25PPM 1/8W | MCTC0525B475JT5G |
| Resistor, 19R6, 0805 0.1% 25PPM 1/8W | MCTC0525B196JT5G | Resistor, 48R7, 0805 0.1% 25PPM 1/8W | MCTC0525B487JT5G |
| Resistor, 20R, 0805 0.1% 25PPM 1/8W | MCTC0525B200JT5G | Resistor, 49R9, 0805 0.1% 25PPM 1/8W | MCTC0525B499JT5G |
| Resistor, 20R5, 0805 0.1% 25PPM 1/8W | MCTC0525B205JT5G | Resistor, 51R1, 0805 0.1% 25PPM 1/8W | MCTC0525B511JT5G |
| Resistor, 21R, 0805 0.1% 25PPM 1/8W | MCTC0525B210JT5G | Resistor, 52R3, 0805 0.1% 25PPM 1/8W | MCTC0525B523JT5G |
| Resistor, 21R5, 0805 0.1% 25PPM 1/8W | MCTC0525B215JT5G | Resistor, 53R6, 0805 0.1% 25PPM 1/8W | MCTC0525B536JT5G |
| Resistor, 22R1, 0805 0.1% 25PPM 1/8W | MCTC0525B221JT5G | Resistor, 54R9, 0805 0.1% 25PPM 1/8W | MCTC0525B549JT5G |
| Resistor, 22R6, 0805 0.1% 25PPM 1/8W | MCTC0525B226JT5G | Resistor, 56R2, 0805 0.1% 25PPM 1/8W | MCTC0525B562JT5G |
| Resistor, 23R2, 0805 0.1% 25PPM 1/8W | MCTC0525B232JT5G | Resistor, 57R6, 0805 0.1% 25PPM 1/8W | MCTC0525B576JT5G |
| Resistor, 23R7, 0805 0.1% 25PPM 1/8W | MCTC0525B237JT5G | Resistor, 59R, 0805 0.1% 25PPM 1/8W | MCTC0525B590JT5G |
| Resistor, 24R3, 0805 0.1% 25PPM 1/8W | MCTC0525B243JT5G | Resistor, 60R4, 0805 0.1% 25PPM 1/8W | MCTC0525B604JT5G |

Newark.com/multicomp-pro
 Farnell.com/multicomp-pro
 Element14.com/multicomp-pro

multicomp PRO

Thin Film Chip Resistors

MCTC05 Series

multicomp PRO

| Description | Part Number | Description | Part Number |
|--------------------------------------|------------------|--------------------------------------|------------------|
| Resistor, 61R9, 0805 0.1% 25PPM 1/8W | MCTC0525B619JT5G | Resistor, 154R, 0805 0.1% 25PPM 1/8W | MCTC0525B1540T5G |
| Resistor, 63R4, 0805 0.1% 25PPM 1/8W | MCTC0525B634JT5G | Resistor, 158R, 0805 0.1% 25PPM 1/8W | MCTC0525B1580T5G |
| Resistor, 64R9, 0805 0.1% 25PPM 1/8W | MCTC0525B649JT5G | Resistor, 162R, 0805 0.1% 25PPM 1/8W | MCTC0525B1620T5G |
| Resistor, 66R5, 0805 0.1% 25PPM 1/8W | MCTC0525B665JT5G | Resistor, 165R, 0805 0.1% 25PPM 1/8W | MCTC0525B1650T5G |
| Resistor, 68R1, 0805 0.1% 25PPM 1/8W | MCTC0525B681JT5G | Resistor, 169R, 0805 0.1% 25PPM 1/8W | MCTC0525B1690T5G |
| Resistor, 69R8, 0805 0.1% 25PPM 1/8W | MCTC0525B698JT5G | Resistor, 174R, 0805 0.1% 25PPM 1/8W | MCTC0525B1740T5G |
| Resistor, 71R5, 0805 0.1% 25PPM 1/8W | MCTC0525B715JT5G | Resistor, 178R, 0805 0.1% 25PPM 1/8W | MCTC0525B1780T5G |
| Resistor, 73R2, 0805 0.1% 25PPM 1/8W | MCTC0525B732JT5G | Resistor, 182R, 0805 0.1% 25PPM 1/8W | MCTC0525B1820T5G |
| Resistor, 75R, 0805 0.1% 25PPM 1/8W | MCTC0525B750JT5G | Resistor, 187R, 0805 0.1% 25PPM 1/8W | MCTC0525B1870T5G |
| Resistor, 76R8, 0805 0.1% 25PPM 1/8W | MCTC0525B768JT5G | Resistor, 191R, 0805 0.1% 25PPM 1/8W | MCTC0525B1910T5G |
| Resistor, 78R7, 0805 0.1% 25PPM 1/8W | MCTC0525B787JT5G | Resistor, 196R, 0805 0.1% 25PPM 1/8W | MCTC0525B1960T5G |
| Resistor, 80R6, 0805 0.1% 25PPM 1/8W | MCTC0525B806JT5G | Resistor, 200R, 0805 0.1% 25PPM 1/8W | MCTC0525B2000T5G |
| Resistor, 82R5, 0805 0.1% 25PPM 1/8W | MCTC0525B825JT5G | Resistor, 205R, 0805 0.1% 25PPM 1/8W | MCTC0525B2050T5G |
| Resistor, 84R5, 0805 0.1% 25PPM 1/8W | MCTC0525B845JT5G | Resistor, 210R, 0805 0.1% 25PPM 1/8W | MCTC0525B2100T5G |
| Resistor, 86R6, 0805 0.1% 25PPM 1/8W | MCTC0525B866JT5G | Resistor, 215R, 0805 0.1% 25PPM 1/8W | MCTC0525B2150T5G |
| Resistor, 88R7, 0805 0.1% 25PPM 1/8W | MCTC0525B887JT5G | Resistor, 221R, 0805 0.1% 25PPM 1/8W | MCTC0525B2210T5G |
| Resistor, 90R9, 0805 0.1% 25PPM 1/8W | MCTC0525B909JT5G | Resistor, 226R, 0805 0.1% 25PPM 1/8W | MCTC0525B2260T5G |
| Resistor, 93R1, 0805 0.1% 25PPM 1/8W | MCTC0525B931JT5G | Resistor, 232R, 0805 0.1% 25PPM 1/8W | MCTC0525B2320T5G |
| Resistor, 95R3, 0805 0.1% 25PPM 1/8W | MCTC0525B953JT5G | Resistor, 237R, 0805 0.1% 25PPM 1/8W | MCTC0525B2370T5G |
| Resistor, 97R6, 0805 0.1% 25PPM 1/8W | MCTC0525B976JT5G | Resistor, 243R, 0805 0.1% 25PPM 1/8W | MCTC0525B2430T5G |
| Resistor, 100R, 0805 0.1% 25PPM 1/8W | MCTC0525B1000T5G | Resistor, 249R, 0805 0.1% 25PPM 1/8W | MCTC0525B2490T5G |
| Resistor, 102R, 0805 0.1% 25PPM 1/8W | MCTC0525B1020T5G | Resistor, 255R, 0805 0.1% 25PPM 1/8W | MCTC0525B2550T5G |
| Resistor, 105R, 0805 0.1% 25PPM 1/8W | MCTC0525B1050T5G | Resistor, 261R, 0805 0.1% 25PPM 1/8W | MCTC0525B2610T5G |
| Resistor, 107R, 0805 0.1% 25PPM 1/8W | MCTC0525B1070T5G | Resistor, 267R, 0805 0.1% 25PPM 1/8W | MCTC0525B2670T5G |
| Resistor, 110R, 0805 0.1% 25PPM 1/8W | MCTC0525B1100T5G | Resistor, 274R, 0805 0.1% 25PPM 1/8W | MCTC0525B2740T5G |
| Resistor, 113R, 0805 0.1% 25PPM 1/8W | MCTC0525B1130T5G | Resistor, 280R, 0805 0.1% 25PPM 1/8W | MCTC0525B2800T5G |
| Resistor, 115R, 0805 0.1% 25PPM 1/8W | MCTC0525B1150T5G | Resistor, 287R, 0805 0.1% 25PPM 1/8W | MCTC0525B2870T5G |
| Resistor, 118R, 0805 0.1% 25PPM 1/8W | MCTC0525B1180T5G | Resistor, 294R, 0805 0.1% 25PPM 1/8W | MCTC0525B2940T5G |
| Resistor, 121R, 0805 0.1% 25PPM 1/8W | MCTC0525B1210T5G | Resistor, 301R, 0805 0.1% 25PPM 1/8W | MCTC0525B3010T5G |
| Resistor, 124R, 0805 0.1% 25PPM 1/8W | MCTC0525B1240T5G | Resistor, 309R, 0805 0.1% 25PPM 1/8W | MCTC0525B3090T5G |
| Resistor, 127R, 0805 0.1% 25PPM 1/8W | MCTC0525B1270T5G | Resistor, 316R, 0805 0.1% 25PPM 1/8W | MCTC0525B3160T5G |
| Resistor, 130R, 0805 0.1% 25PPM 1/8W | MCTC0525B1300T5G | Resistor, 324R, 0805 0.1% 25PPM 1/8W | MCTC0525B3240T5G |
| Resistor, 133R, 0805 0.1% 25PPM 1/8W | MCTC0525B1330T5G | Resistor, 332R, 0805 0.1% 25PPM 1/8W | MCTC0525B3320T5G |
| Resistor, 137R, 0805 0.1% 25PPM 1/8W | MCTC0525B1370T5G | Resistor, 340R, 0805 0.1% 25PPM 1/8W | MCTC0525B3400T5G |
| Resistor, 140R, 0805 0.1% 25PPM 1/8W | MCTC0525B1400T5G | Resistor, 348R, 0805 0.1% 25PPM 1/8W | MCTC0525B3480T5G |
| Resistor, 143R, 0805 0.1% 25PPM 1/8W | MCTC0525B1430T5G | Resistor, 357R, 0805 0.1% 25PPM 1/8W | MCTC0525B3570T5G |
| Resistor, 147R, 0805 0.1% 25PPM 1/8W | MCTC0525B1470T5G | Resistor, 365R, 0805 0.1% 25PPM 1/8W | MCTC0525B3650T5G |
| Resistor, 150R, 0805 0.1% 25PPM 1/8W | MCTC0525B1500T5G | Resistor, 374R, 0805 0.1% 25PPM 1/8W | MCTC0525B3740T5G |

Newark.com/multicomp-pro
 Farnell.com/multicomp-pro
 Element14.com/multicomp-pro

multicomp PRO

Thin Film Chip Resistors

MCTC05 Series

multicomp PRO

| Description | Part Number | Description | Part Number |
|--------------------------------------|------------------|--------------------------------------|------------------|
| Resistor, 383R, 0805 0.1% 25PPM 1/8W | MCTC0525B3830T5G | Resistor, 953R, 0805 0.1% 25PPM 1/8W | MCTC0525B9530T5G |
| Resistor, 392R, 0805 0.1% 25PPM 1/8W | MCTC0525B3920T5G | Resistor, 976R, 0805 0.1% 25PPM 1/8W | MCTC0525B9760T5G |
| Resistor, 402R, 0805 0.1% 25PPM 1/8W | MCTC0525B4020T5G | Resistor, 1K, 0805 0.1% 25PPM 1/8W | MCTC0525B1001T5G |
| Resistor, 412R, 0805 0.1% 25PPM 1/8W | MCTC0525B4120T5G | Resistor, 1K02, 0805 0.1% 25PPM 1/8W | MCTC0525B1021T5G |
| Resistor, 422R, 0805 0.1% 25PPM 1/8W | MCTC0525B4220T5G | Resistor, 1K05, 0805 0.1% 25PPM 1/8W | MCTC0525B1051T5G |
| Resistor, 432R, 0805 0.1% 25PPM 1/8W | MCTC0525B4320T5G | Resistor, 1K07, 0805 0.1% 25PPM 1/8W | MCTC0525B1071T5G |
| Resistor, 442R, 0805 0.1% 25PPM 1/8W | MCTC0525B4420T5G | Resistor, 1K1, 0805 0.1% 25PPM 1/8W | MCTC0525B1101T5G |
| Resistor, 453R, 0805 0.1% 25PPM 1/8W | MCTC0525B4530T5G | Resistor, 1K13, 0805 0.1% 25PPM 1/8W | MCTC0525B1131T5G |
| Resistor, 464R, 0805 0.1% 25PPM 1/8W | MCTC0525B4640T5G | Resistor, 1K15, 0805 0.1% 25PPM 1/8W | MCTC0525B1151T5G |
| Resistor, 475R, 0805 0.1% 25PPM 1/8W | MCTC0525B4750T5G | Resistor, 1K18, 0805 0.1% 25PPM 1/8W | MCTC0525B1181T5G |
| Resistor, 487R, 0805 0.1% 25PPM 1/8W | MCTC0525B4870T5G | Resistor, 1K21, 0805 0.1% 25PPM 1/8W | MCTC0525B1211T5G |
| Resistor, 499R, 0805 0.1% 25PPM 1/8W | MCTC0525B4990T5G | Resistor, 1K24, 0805 0.1% 25PPM 1/8W | MCTC0525B1241T5G |
| Resistor, 511R, 0805 0.1% 25PPM 1/8W | MCTC0525B5110T5G | Resistor, 1K27, 0805 0.1% 25PPM 1/8W | MCTC0525B1271T5G |
| Resistor, 523R, 0805 0.1% 25PPM 1/8W | MCTC0525B5230T5G | Resistor, 1K3, 0805 0.1% 25PPM 1/8W | MCTC0525B1301T5G |
| Resistor, 536R, 0805 0.1% 25PPM 1/8W | MCTC0525B5360T5G | Resistor, 1K33, 0805 0.1% 25PPM 1/8W | MCTC0525B1331T5G |
| Resistor, 549R, 0805 0.1% 25PPM 1/8W | MCTC0525B5490T5G | Resistor, 1K37, 0805 0.1% 25PPM 1/8W | MCTC0525B1371T5G |
| Resistor, 562R, 0805 0.1% 25PPM 1/8W | MCTC0525B5620T5G | Resistor, 1K4, 0805 0.1% 25PPM 1/8W | MCTC0525B1401T5G |
| Resistor, 576R, 0805 0.1% 25PPM 1/8W | MCTC0525B5760T5G | Resistor, 1K43, 0805 0.1% 25PPM 1/8W | MCTC0525B1431T5G |
| Resistor, 590R, 0805 0.1% 25PPM 1/8W | MCTC0525B5900T5G | Resistor, 1K47, 0805 0.1% 25PPM 1/8W | MCTC0525B1471T5G |
| Resistor, 604R, 0805 0.1% 25PPM 1/8W | MCTC0525B6040T5G | Resistor, 1K5, 0805 0.1% 25PPM 1/8W | MCTC0525B1501T5G |
| Resistor, 619R, 0805 0.1% 25PPM 1/8W | MCTC0525B6190T5G | Resistor, 1K54, 0805 0.1% 25PPM 1/8W | MCTC0525B1541T5G |
| Resistor, 634R, 0805 0.1% 25PPM 1/8W | MCTC0525B6340T5G | Resistor, 1K58, 0805 0.1% 25PPM 1/8W | MCTC0525B1581T5G |
| Resistor, 649R, 0805 0.1% 25PPM 1/8W | MCTC0525B6490T5G | Resistor, 1K62, 0805 0.1% 25PPM 1/8W | MCTC0525B1621T5G |
| Resistor, 665R, 0805 0.1% 25PPM 1/8W | MCTC0525B6650T5G | Resistor, 1K65, 0805 0.1% 25PPM 1/8W | MCTC0525B1651T5G |
| Resistor, 681R, 0805 0.1% 25PPM 1/8W | MCTC0525B6810T5G | Resistor, 1K69, 0805 0.1% 25PPM 1/8W | MCTC0525B1691T5G |
| Resistor, 698R, 0805 0.1% 25PPM 1/8W | MCTC0525B6980T5G | Resistor, 1K74, 0805 0.1% 25PPM 1/8W | MCTC0525B1741T5G |
| Resistor, 715R, 0805 0.1% 25PPM 1/8W | MCTC0525B7150T5G | Resistor, 1K78, 0805 0.1% 25PPM 1/8W | MCTC0525B1781T5G |
| Resistor, 732R, 0805 0.1% 25PPM 1/8W | MCTC0525B7320T5G | Resistor, 1K82, 0805 0.1% 25PPM 1/8W | MCTC0525B1821T5G |
| Resistor, 750R, 0805 0.1% 25PPM 1/8W | MCTC0525B7500T5G | Resistor, 1K87, 0805 0.1% 25PPM 1/8W | MCTC0525B1871T5G |
| Resistor, 768R, 0805 0.1% 25PPM 1/8W | MCTC0525B7680T5G | Resistor, 1K91, 0805 0.1% 25PPM 1/8W | MCTC0525B1911T5G |
| Resistor, 787R, 0805 0.1% 25PPM 1/8W | MCTC0525B7870T5G | Resistor, 1K96, 0805 0.1% 25PPM 1/8W | MCTC0525B1961T5G |
| Resistor, 806R, 0805 0.1% 25PPM 1/8W | MCTC0525B8060T5G | Resistor, 2K, 0805 0.1% 25PPM 1/8W | MCTC0525B2001T5G |
| Resistor, 825R, 0805 0.1% 25PPM 1/8W | MCTC0525B8250T5G | Resistor, 2K05, 0805 0.1% 25PPM 1/8W | MCTC0525B2051T5G |
| Resistor, 845R, 0805 0.1% 25PPM 1/8W | MCTC0525B8450T5G | Resistor, 2K1, 0805 0.1% 25PPM 1/8W | MCTC0525B2101T5G |
| Resistor, 866R, 0805 0.1% 25PPM 1/8W | MCTC0525B8660T5G | Resistor, 2K15, 0805 0.1% 25PPM 1/8W | MCTC0525B2151T5G |
| Resistor, 887R, 0805 0.1% 25PPM 1/8W | MCTC0525B8870T5G | Resistor, 2K21, 0805 0.1% 25PPM 1/8W | MCTC0525B2211T5G |
| Resistor, 909R, 0805 0.1% 25PPM 1/8W | MCTC0525B9090T5G | Resistor, 2K26, 0805 0.1% 25PPM 1/8W | MCTC0525B2261T5G |
| Resistor, 931R, 0805 0.1% 25PPM 1/8W | MCTC0525B9310T5G | Resistor, 2K32, 0805 0.1% 25PPM 1/8W | MCTC0525B2321T5G |

Newark.com/multicomp-pro
 Farnell.com/multicomp-pro
 Element14.com/multicomp-pro

multicomp PRO

Thin Film Chip Resistors

MCTC05 Series

multicomp PRO

| Description | Part Number | Description | Part Number |
|--------------------------------------|------------------|--------------------------------------|------------------|
| Resistor, 2K37, 0805 0.1% 25PPM 1/8W | MCTC0525B2371T5G | Resistor, 6K04, 0805 0.1% 25PPM 1/8W | MCTC0525B6041T5G |
| Resistor, 2K43, 0805 0.1% 25PPM 1/8W | MCTC0525B2431T5G | Resistor, 6K19, 0805 0.1% 25PPM 1/8W | MCTC0525B6191T5G |
| Resistor, 2K49, 0805 0.1% 25PPM 1/8W | MCTC0525B2491T5G | Resistor, 6K34, 0805 0.1% 25PPM 1/8W | MCTC0525B6341T5G |
| Resistor, 2K55, 0805 0.1% 25PPM 1/8W | MCTC0525B2551T5G | Resistor, 6K49, 0805 0.1% 25PPM 1/8W | MCTC0525B6491T5G |
| Resistor, 2K61, 0805 0.1% 25PPM 1/8W | MCTC0525B2611T5G | Resistor, 6K65, 0805 0.1% 25PPM 1/8W | MCTC0525B6651T5G |
| Resistor, 2K67, 0805 0.1% 25PPM 1/8W | MCTC0525B2671T5G | Resistor, 6K81, 0805 0.1% 25PPM 1/8W | MCTC0525B6811T5G |
| Resistor, 2K74, 0805 0.1% 25PPM 1/8W | MCTC0525B2741T5G | Resistor, 6K98, 0805 0.1% 25PPM 1/8W | MCTC0525B6981T5G |
| Resistor, 2K8, 0805 0.1% 25PPM 1/8W | MCTC0525B2801T5G | Resistor, 7K15, 0805 0.1% 25PPM 1/8W | MCTC0525B7151T5G |
| Resistor, 2K87, 0805 0.1% 25PPM 1/8W | MCTC0525B2871T5G | Resistor, 7K32, 0805 0.1% 25PPM 1/8W | MCTC0525B7321T5G |
| Resistor, 2K94, 0805 0.1% 25PPM 1/8W | MCTC0525B2941T5G | Resistor, 7K5, 0805 0.1% 25PPM 1/8W | MCTC0525B7501T5G |
| Resistor, 3K01, 0805 0.1% 25PPM 1/8W | MCTC0525B3011T5G | Resistor, 7K68, 0805 0.1% 25PPM 1/8W | MCTC0525B7681T5G |
| Resistor, 3K09, 0805 0.1% 25PPM 1/8W | MCTC0525B3091T5G | Resistor, 7K87, 0805 0.1% 25PPM 1/8W | MCTC0525B7871T5G |
| Resistor, 3K16, 0805 0.1% 25PPM 1/8W | MCTC0525B3161T5G | Resistor, 8K06, 0805 0.1% 25PPM 1/8W | MCTC0525B8061T5G |
| Resistor, 3K24, 0805 0.1% 25PPM 1/8W | MCTC0525B3241T5G | Resistor, 8K25, 0805 0.1% 25PPM 1/8W | MCTC0525B8251T5G |
| Resistor, 3K32, 0805 0.1% 25PPM 1/8W | MCTC0525B3321T5G | Resistor, 8K45, 0805 0.1% 25PPM 1/8W | MCTC0525B8451T5G |
| Resistor, 3K4, 0805 0.1% 25PPM 1/8W | MCTC0525B3401T5G | Resistor, 8K66, 0805 0.1% 25PPM 1/8W | MCTC0525B8661T5G |
| Resistor, 3K57, 0805 0.1% 25PPM 1/8W | MCTC0525B3571T5G | Resistor, 8K87, 0805 0.1% 25PPM 1/8W | MCTC0525B8871T5G |
| Resistor, 3K65, 0805 0.1% 25PPM 1/8W | MCTC0525B3651T5G | Resistor, 9K09, 0805 0.1% 25PPM 1/8W | MCTC0525B9091T5G |
| Resistor, 3K74, 0805 0.1% 25PPM 1/8W | MCTC0525B3741T5G | Resistor, 9K31, 0805 0.1% 25PPM 1/8W | MCTC0525B9311T5G |
| Resistor, 3K83, 0805 0.1% 25PPM 1/8W | MCTC0525B3831T5G | Resistor, 9K53, 0805 0.1% 25PPM 1/8W | MCTC0525B9531T5G |
| Resistor, 3K92, 0805 0.1% 25PPM 1/8W | MCTC0525B3921T5G | Resistor, 9K76, 0805 0.1% 25PPM 1/8W | MCTC0525B9761T5G |
| Resistor, 4K02, 0805 0.1% 25PPM 1/8W | MCTC0525B4021T5G | Resistor, 10K, 0805 0.1% 25PPM 1/8W | MCTC0525B1002T5G |
| Resistor, 4K12, 0805 0.1% 25PPM 1/8W | MCTC0525B4121T5G | Resistor, 10K2, 0805 0.1% 25PPM 1/8W | MCTC0525B1022T5G |
| Resistor, 4K22, 0805 0.1% 25PPM 1/8W | MCTC0525B4221T5G | Resistor, 10K5, 0805 0.1% 25PPM 1/8W | MCTC0525B1052T5G |
| Resistor, 4K32, 0805 0.1% 25PPM 1/8W | MCTC0525B4321T5G | Resistor, 10K7, 0805 0.1% 25PPM 1/8W | MCTC0525B1072T5G |
| Resistor, 4K42, 0805 0.1% 25PPM 1/8W | MCTC0525B4421T5G | Resistor, 11K, 0805 0.1% 25PPM 1/8W | MCTC0525B1102T5G |
| Resistor, 4K53, 0805 0.1% 25PPM 1/8W | MCTC0525B4531T5G | Resistor, 11K3, 0805 0.1% 25PPM 1/8W | MCTC0525B1132T5G |
| Resistor, 4K64, 0805 0.1% 25PPM 1/8W | MCTC0525B4641T5G | Resistor, 11K5, 0805 0.1% 25PPM 1/8W | MCTC0525B1152T5G |
| Resistor, 4K75, 0805 0.1% 25PPM 1/8W | MCTC0525B4751T5G | Resistor, 11K8, 0805 0.1% 25PPM 1/8W | MCTC0525B1182T5G |
| Resistor, 4K87, 0805 0.1% 25PPM 1/8W | MCTC0525B4871T5G | Resistor, 12K1, 0805 0.1% 25PPM 1/8W | MCTC0525B1212T5G |
| Resistor, 4K99, 0805 0.1% 25PPM 1/8W | MCTC0525B4991T5G | Resistor, 12K4, 0805 0.1% 25PPM 1/8W | MCTC0525B1242T5G |
| Resistor, 5K11, 0805 0.1% 25PPM 1/8W | MCTC0525B5111T5G | Resistor, 12K7, 0805 0.1% 25PPM 1/8W | MCTC0525B1272T5G |
| Resistor, 5K23, 0805 0.1% 25PPM 1/8W | MCTC0525B5231T5G | Resistor, 13K, 0805 0.1% 25PPM 1/8W | MCTC0525B1302T5G |
| Resistor, 5K36, 0805 0.1% 25PPM 1/8W | MCTC0525B5361T5G | Resistor, 13K3, 0805 0.1% 25PPM 1/8W | MCTC0525B1332T5G |
| Resistor, 5K49, 0805 0.1% 25PPM 1/8W | MCTC0525B5491T5G | Resistor, 13K7, 0805 0.1% 25PPM 1/8W | MCTC0525B1372T5G |
| Resistor, 5K62, 0805 0.1% 25PPM 1/8W | MCTC0525B5621T5G | Resistor, 14K, 0805 0.1% 25PPM 1/8W | MCTC0525B1402T5G |
| Resistor, 5K76, 0805 0.1% 25PPM 1/8W | MCTC0525B5761T5G | Resistor, 14K3, 0805 0.1% 25PPM 1/8W | MCTC0525B1432T5G |
| Resistor, 5K9, 0805 0.1% 25PPM 1/8W | MCTC0525B5901T5G | Resistor, 14K7, 0805 0.1% 25PPM 1/8W | MCTC0525B1472T5G |

Newark.com/multicomp-pro
 Farnell.com/multicomp-pro
 Element14.com/multicomp-pro

multicomp PRO

Thin Film Chip Resistors

MCTC05 Series

multicomp PRO

| Description | Part Number | Description | Part Number |
|--------------------------------------|------------------|--------------------------------------|------------------|
| Resistor, 15K, 0805 0.1% 25PPM 1/8W | MCTC0525B1502T5G | Resistor, 37K4, 0805 0.1% 25PPM 1/8W | MCTC0525B3742T5G |
| Resistor, 15K4, 0805 0.1% 25PPM 1/8W | MCTC0525B1542T5G | Resistor, 38K3, 0805 0.1% 25PPM 1/8W | MCTC0525B3832T5G |
| Resistor, 15K8, 0805 0.1% 25PPM 1/8W | MCTC0525B1582T5G | Resistor, 39K2, 0805 0.1% 25PPM 1/8W | MCTC0525B3922T5G |
| Resistor, 16K2, 0805 0.1% 25PPM 1/8W | MCTC0525B1622T5G | Resistor, 40K2, 0805 0.1% 25PPM 1/8W | MCTC0525B4022T5G |
| Resistor, 16K5, 0805 0.1% 25PPM 1/8W | MCTC0525B1652T5G | Resistor, 41K2, 0805 0.1% 25PPM 1/8W | MCTC0525B4122T5G |
| Resistor, 16K9, 0805 0.1% 25PPM 1/8W | MCTC0525B1692T5G | Resistor, 42K2, 0805 0.1% 25PPM 1/8W | MCTC0525B4222T5G |
| Resistor, 17K4, 0805 0.1% 25PPM 1/8W | MCTC0525B1742T5G | Resistor, 43K2, 0805 0.1% 25PPM 1/8W | MCTC0525B4322T5G |
| Resistor, 17K8, 0805 0.1% 25PPM 1/8W | MCTC0525B1782T5G | Resistor, 44K2, 0805 0.1% 25PPM 1/8W | MCTC0525B4422T5G |
| Resistor, 18K2, 0805 0.1% 25PPM 1/8W | MCTC0525B1822T5G | Resistor, 45K3, 0805 0.1% 25PPM 1/8W | MCTC0525B4532T5G |
| Resistor, 18K7, 0805 0.1% 25PPM 1/8W | MCTC0525B1872T5G | Resistor, 46K4, 0805 0.1% 25PPM 1/8W | MCTC0525B4642T5G |
| Resistor, 19K1, 0805 0.1% 25PPM 1/8W | MCTC0525B1912T5G | Resistor, 47K5, 0805 0.1% 25PPM 1/8W | MCTC0525B4752T5G |
| Resistor, 19K6, 0805 0.1% 25PPM 1/8W | MCTC0525B1962T5G | Resistor, 48K7, 0805 0.1% 25PPM 1/8W | MCTC0525B4872T5G |
| Resistor, 20K, 0805 0.1% 25PPM 1/8W | MCTC0525B2002T5G | Resistor, 49K9, 0805 0.1% 25PPM 1/8W | MCTC0525B4992T5G |
| Resistor, 20K5, 0805 0.1% 25PPM 1/8W | MCTC0525B2052T5G | Resistor, 51K1, 0805 0.1% 25PPM 1/8W | MCTC0525B5112T5G |
| Resistor, 21K, 0805 0.1% 25PPM 1/8W | MCTC0525B2102T5G | Resistor, 52K3, 0805 0.1% 25PPM 1/8W | MCTC0525B5232T5G |
| Resistor, 21K5, 0805 0.1% 25PPM 1/8W | MCTC0525B2152T5G | Resistor, 53K6, 0805 0.1% 25PPM 1/8W | MCTC0525B5362T5G |
| Resistor, 22K1, 0805 0.1% 25PPM 1/8W | MCTC0525B2212T5G | Resistor, 54K9, 0805 0.1% 25PPM 1/8W | MCTC0525B5492T5G |
| Resistor, 22K6, 0805 0.1% 25PPM 1/8W | MCTC0525B2262T5G | Resistor, 56K2, 0805 0.1% 25PPM 1/8W | MCTC0525B5622T5G |
| Resistor, 23K2, 0805 0.1% 25PPM 1/8W | MCTC0525B2322T5G | Resistor, 57K6, 0805 0.1% 25PPM 1/8W | MCTC0525B5762T5G |
| Resistor, 23K7, 0805 0.1% 25PPM 1/8W | MCTC0525B2372T5G | Resistor, 59K, 0805 0.1% 25PPM 1/8W | MCTC0525B5902T5G |
| Resistor, 24K3, 0805 0.1% 25PPM 1/8W | MCTC0525B2432T5G | Resistor, 60K4, 0805 0.1% 25PPM 1/8W | MCTC0525B6042T5G |
| Resistor, 24K9, 0805 0.1% 25PPM 1/8W | MCTC0525B2492T5G | Resistor, 61K9, 0805 0.1% 25PPM 1/8W | MCTC0525B6192T5G |
| Resistor, 25K5, 0805 0.1% 25PPM 1/8W | MCTC0525B2552T5G | Resistor, 63K4, 0805 0.1% 25PPM 1/8W | MCTC0525B6342T5G |
| Resistor, 26K1, 0805 0.1% 25PPM 1/8W | MCTC0525B2612T5G | Resistor, 64K9, 0805 0.1% 25PPM 1/8W | MCTC0525B6492T5G |
| Resistor, 26K7, 0805 0.1% 25PPM 1/8W | MCTC0525B2672T5G | Resistor, 66K5, 0805 0.1% 25PPM 1/8W | MCTC0525B6652T5G |
| Resistor, 27K4, 0805 0.1% 25PPM 1/8W | MCTC0525B2742T5G | Resistor, 68K1, 0805 0.1% 25PPM 1/8W | MCTC0525B6812T5G |
| Resistor, 28K, 0805 0.1% 25PPM 1/8W | MCTC0525B2802T5G | Resistor, 69K8, 0805 0.1% 25PPM 1/8W | MCTC0525B6982T5G |
| Resistor, 28K7, 0805 0.1% 25PPM 1/8W | MCTC0525B2872T5G | Resistor, 71K5, 0805 0.1% 25PPM 1/8W | MCTC0525B7152T5G |
| Resistor, 29K4, 0805 0.1% 25PPM 1/8W | MCTC0525B2942T5G | Resistor, 73K2, 0805 0.1% 25PPM 1/8W | MCTC0525B7322T5G |
| Resistor, 30K1, 0805 0.1% 25PPM 1/8W | MCTC0525B3012T5G | Resistor, 75K, 0805 0.1% 25PPM 1/8W | MCTC0525B7502T5G |
| Resistor, 30K9, 0805 0.1% 25PPM 1/8W | MCTC0525B3092T5G | Resistor, 76K8, 0805 0.1% 25PPM 1/8W | MCTC0525B7682T5G |
| Resistor, 31K6, 0805 0.1% 25PPM 1/8W | MCTC0525B3162T5G | Resistor, 78K7, 0805 0.1% 25PPM 1/8W | MCTC0525B7872T5G |
| Resistor, 32K4, 0805 0.1% 25PPM 1/8W | MCTC0525B3242T5G | Resistor, 80K6, 0805 0.1% 25PPM 1/8W | MCTC0525B8062T5G |
| Resistor, 33K2, 0805 0.1% 25PPM 1/8W | MCTC0525B3322T5G | Resistor, 82K5, 0805 0.1% 25PPM 1/8W | MCTC0525B8252T5G |
| Resistor, 34K, 0805 0.1% 25PPM 1/8W | MCTC0525B3402T5G | Resistor, 84K5, 0805 0.1% 25PPM 1/8W | MCTC0525B8452T5G |
| Resistor, 34K8, 0805 0.1% 25PPM 1/8W | MCTC0525B3482T5G | Resistor, 86K6, 0805 0.1% 25PPM 1/8W | MCTC0525B8662T5G |
| Resistor, 35K7, 0805 0.1% 25PPM 1/8W | MCTC0525B3572T5G | Resistor, 88K7, 0805 0.1% 25PPM 1/8W | MCTC0525B8872T5G |
| Resistor, 36K5, 0805 0.1% 25PPM 1/8W | MCTC0525B3652T5G | Resistor, 90K9, 0805 0.1% 25PPM 1/8W | MCTC0525B9092T5G |

Newark.com/multicomp-pro
 Farnell.com/multicomp-pro
 Element14.com/multicomp-pro

multicomp PRO

Thin Film Chip Resistors

MCTC05 Series

multicomp PRO

| Description | Part Number | Description | Part Number |
|--------------------------------------|------------------|--------------------------------------|------------------|
| Resistor, 93K1, 0805 0.1% 25PPM 1/8W | MCTC0525B9312T5G | Resistor, 232K, 0805 0.1% 25PPM 1/8W | MCTC0525B2323T5G |
| Resistor, 95K3, 0805 0.1% 25PPM 1/8W | MCTC0525B9532T5G | Resistor, 237K, 0805 0.1% 25PPM 1/8W | MCTC0525B2373T5G |
| Resistor, 97K6, 0805 0.1% 25PPM 1/8W | MCTC0525B9762T5G | Resistor, 243K, 0805 0.1% 25PPM 1/8W | MCTC0525B2433T5G |
| Resistor, 100K, 0805 0.1% 25PPM 1/8W | MCTC0525B1003T5G | Resistor, 249K, 0805 0.1% 25PPM 1/8W | MCTC0525B2493T5G |
| Resistor, 102K, 0805 0.1% 25PPM 1/8W | MCTC0525B1023T5G | Resistor, 255K, 0805 0.1% 25PPM 1/8W | MCTC0525B2553T5G |
| Resistor, 105K, 0805 0.1% 25PPM 1/8W | MCTC0525B1053T5G | Resistor, 261K, 0805 0.1% 25PPM 1/8W | MCTC0525B2613T5G |
| Resistor, 107K, 0805 0.1% 25PPM 1/8W | MCTC0525B1073T5G | Resistor, 267K, 0805 0.1% 25PPM 1/8W | MCTC0525B2673T5G |
| Resistor, 110K, 0805 0.1% 25PPM 1/8W | MCTC0525B1103T5G | Resistor, 274K, 0805 0.1% 25PPM 1/8W | MCTC0525B2743T5G |
| Resistor, 113K, 0805 0.1% 25PPM 1/8W | MCTC0525B1133T5G | Resistor, 280K, 0805 0.1% 25PPM 1/8W | MCTC0525B2803T5G |
| Resistor, 115K, 0805 0.1% 25PPM 1/8W | MCTC0525B1153T5G | Resistor, 287K, 0805 0.1% 25PPM 1/8W | MCTC0525B2873T5G |
| Resistor, 118K, 0805 0.1% 25PPM 1/8W | MCTC0525B1183T5G | Resistor, 294K, 0805 0.1% 25PPM 1/8W | MCTC0525B2943T5G |
| Resistor, 121K, 0805 0.1% 25PPM 1/8W | MCTC0525B1213T5G | Resistor, 301K, 0805 0.1% 25PPM 1/8W | MCTC0525B3013T5G |
| Resistor, 124K, 0805 0.1% 25PPM 1/8W | MCTC0525B1243T5G | Resistor, 309K, 0805 0.1% 25PPM 1/8W | MCTC0525B3093T5G |
| Resistor, 127K, 0805 0.1% 25PPM 1/8W | MCTC0525B1273T5G | Resistor, 316K, 0805 0.1% 25PPM 1/8W | MCTC0525B3163T5G |
| Resistor, 130K, 0805 0.1% 25PPM 1/8W | MCTC0525B1303T5G | Resistor, 324K, 0805 0.1% 25PPM 1/8W | MCTC0525B3243T5G |
| Resistor, 133K, 0805 0.1% 25PPM 1/8W | MCTC0525B1333T5G | Resistor, 332K, 0805 0.1% 25PPM 1/8W | MCTC0525B3323T5G |
| Resistor, 137K, 0805 0.1% 25PPM 1/8W | MCTC0525B1373T5G | Resistor, 340K, 0805 0.1% 25PPM 1/8W | MCTC0525B3403T5G |
| Resistor, 140K, 0805 0.1% 25PPM 1/8W | MCTC0525B1403T5G | Resistor, 348K, 0805 0.1% 25PPM 1/8W | MCTC0525B3483T5G |
| Resistor, 143K, 0805 0.1% 25PPM 1/8W | MCTC0525B1433T5G | Resistor, 357K, 0805 0.1% 25PPM 1/8W | MCTC0525B3573T5G |
| Resistor, 147K, 0805 0.1% 25PPM 1/8W | MCTC0525B1473T5G | Resistor, 365K, 0805 0.1% 25PPM 1/8W | MCTC0525B3653T5G |
| Resistor, 150K, 0805 0.1% 25PPM 1/8W | MCTC0525B1503T5G | Resistor, 374K, 0805 0.1% 25PPM 1/8W | MCTC0525B3743T5G |
| Resistor, 154K, 0805 0.1% 25PPM 1/8W | MCTC0525B1543T5G | Resistor, 383K, 0805 0.1% 25PPM 1/8W | MCTC0525B3833T5G |
| Resistor, 158K, 0805 0.1% 25PPM 1/8W | MCTC0525B1583T5G | Resistor, 392K, 0805 0.1% 25PPM 1/8W | MCTC0525B3923T5G |
| Resistor, 162K, 0805 0.1% 25PPM 1/8W | MCTC0525B1623T5G | Resistor, 402K, 0805 0.1% 25PPM 1/8W | MCTC0525B4023T5G |
| Resistor, 165K, 0805 0.1% 25PPM 1/8W | MCTC0525B1653T5G | Resistor, 412K, 0805 0.1% 25PPM 1/8W | MCTC0525B4123T5G |
| Resistor, 169K, 0805 0.1% 25PPM 1/8W | MCTC0525B1693T5G | Resistor, 432K, 0805 0.1% 25PPM 1/8W | MCTC0525B4323T5G |
| Resistor, 174K, 0805 0.1% 25PPM 1/8W | MCTC0525B1743T5G | Resistor, 442K, 0805 0.1% 25PPM 1/8W | MCTC0525B4423T5G |
| Resistor, 178K, 0805 0.1% 25PPM 1/8W | MCTC0525B1783T5G | Resistor, 453K, 0805 0.1% 25PPM 1/8W | MCTC0525B4533T5G |
| Resistor, 182K, 0805 0.1% 25PPM 1/8W | MCTC0525B1823T5G | Resistor, 464K, 0805 0.1% 25PPM 1/8W | MCTC0525B4643T5G |
| Resistor, 187K, 0805 0.1% 25PPM 1/8W | MCTC0525B1873T5G | Resistor, 475K, 0805 0.1% 25PPM 1/8W | MCTC0525B4753T5G |
| Resistor, 191K, 0805 0.1% 25PPM 1/8W | MCTC0525B1913T5G | Resistor, 487K, 0805 0.1% 25PPM 1/8W | MCTC0525B4873T5G |
| Resistor, 196K, 0805 0.1% 25PPM 1/8W | MCTC0525B1963T5G | Resistor, 499K, 0805 0.1% 25PPM 1/8W | MCTC0525B4993T5G |
| Resistor, 200K, 0805 0.1% 25PPM 1/8W | MCTC0525B2003T5G | Resistor, 511K, 0805 0.1% 25PPM 1/8W | MCTC0525B5113T5G |
| Resistor, 205K, 0805 0.1% 25PPM 1/8W | MCTC0525B2053T5G | Resistor, 523K, 0805 0.1% 25PPM 1/8W | MCTC0525B5233T5G |
| Resistor, 210K, 0805 0.1% 25PPM 1/8W | MCTC0525B2103T5G | Resistor, 536K, 0805 0.1% 25PPM 1/8W | MCTC0525B5363T5G |
| Resistor, 215K, 0805 0.1% 25PPM 1/8W | MCTC0525B2153T5G | Resistor, 549K, 0805 0.1% 25PPM 1/8W | MCTC0525B5493T5G |
| Resistor, 221K, 0805 0.1% 25PPM 1/8W | MCTC0525B2213T5G | Resistor, 562K, 0805 0.1% 25PPM 1/8W | MCTC0525B5623T5G |
| Resistor, 226K, 0805 0.1% 25PPM 1/8W | MCTC0525B2263T5G | Resistor, 576K, 0805 0.1% 25PPM 1/8W | MCTC0525B5763T5G |

Newark.com/multicomp-pro
 Farnell.com/multicomp-pro
 Element14.com/multicomp-pro

multicomp PRO

Thin Film Chip Resistors

MCTC05 Series

multicomp PRO

| Description | Part Number | Description | Part Number |
|--------------------------------------|------------------|--------------------------------------|------------------|
| Resistor, 590K, 0805 0.1% 25PPM 1/8W | MCTC0525B5903T5G | Resistor, 768K, 0805 0.1% 25PPM 1/8W | MCTC0525B7683T5G |
| Resistor, 604K, 0805 0.1% 25PPM 1/8W | MCTC0525B6043T5G | Resistor, 787K, 0805 0.1% 25PPM 1/8W | MCTC0525B7873T5G |
| Resistor, 619K, 0805 0.1% 25PPM 1/8W | MCTC0525B6193T5G | Resistor, 806K, 0805 0.1% 25PPM 1/8W | MCTC0525B8063T5G |
| Resistor, 634K, 0805 0.1% 25PPM 1/8W | MCTC0525B6343T5G | Resistor, 825K, 0805 0.1% 25PPM 1/8W | MCTC0525B8253T5G |
| Resistor, 649K, 0805 0.1% 25PPM 1/8W | MCTC0525B6493T5G | Resistor, 845K, 0805 0.1% 25PPM 1/8W | MCTC0525B8453T5G |
| Resistor, 665K, 0805 0.1% 25PPM 1/8W | MCTC0525B6653T5G | Resistor, 866K, 0805 0.1% 25PPM 1/8W | MCTC0525B8663T5G |
| Resistor, 681K, 0805 0.1% 25PPM 1/8W | MCTC0525B6813T5G | Resistor, 887K, 0805 0.1% 25PPM 1/8W | MCTC0525B8873T5G |
| Resistor, 698K, 0805 0.1% 25PPM 1/8W | MCTC0525B6983T5G | Resistor, 909K, 0805 0.1% 25PPM 1/8W | MCTC0525B9093T5G |
| Resistor, 715K, 0805 0.1% 25PPM 1/8W | MCTC0525B7153T5G | Resistor, 931K, 0805 0.1% 25PPM 1/8W | MCTC0525B9313T5G |
| Resistor, 732K, 0805 0.1% 25PPM 1/8W | MCTC0525B7323T5G | Resistor, 953K, 0805 0.1% 25PPM 1/8W | MCTC0525B9533T5G |
| Resistor, 750K, 0805 0.1% 25PPM 1/8W | MCTC0525B7503T5G | Resistor, 976K, 0805 0.1% 25PPM 1/8W | MCTC0525B9763T5G |

Important Notice : This data sheet and its contents (the "Information") belong to the members of the AVNET group of companies (the "Group") or are licensed to it. No licence is granted for the use of it other than for information purposes in connection with the products to which it relates. No licence of any intellectual property rights is granted. The Information is subject to change without notice and replaces all data sheets previously supplied. The Information supplied is believed to be accurate but the Group assumes no responsibility for its accuracy or completeness, any error in or omission from it or for any use made of it. Users of this data sheet should check for themselves the Information and the suitability of the products for their purpose and not make any assumptions based on information included or omitted. Liability for loss or damage resulting from any reliance on the Information or use of it (including liability resulting from negligence or where the Group was aware of the possibility of such loss or damage arising) is excluded. This will not operate to limit or restrict the Group's liability for death or personal injury resulting from its negligence. Multicomp Pro is the registered trademark of Premier Farnell Limited 2019.

Newark.com/multicomp-pro
 Farnell.com/multicomp-pro
 Element14.com/multicomp-pro

multicomp PRO