

SPECIFICATION

受 控

Customer :

Applied To :

Product Name : SPEAKER

Model Name : KP2848SP5F600C55-7952




Drawing No. : KFC7952

Compliance with ROHS(本品符合ROHS指令)

Signature of Appronal

--

Signature of KEPO

Approved by	Checkde by	Issued by	Date
			

宁波凯普电子有限公司



Ningbo Kepo Electronics Co.,Ltd.

宁波东钱湖镇东钱湖工业区宝源路 25 号

TEL:+86-574-88370330 FAX:+86-574-88370329

No.25 Baoyuan road Dongqian Lake, Industry Area, Dongqian town, Ningbo City,
China(Post Code:315121)

Sales@chinaacoustic.com www.chinaacoustic.com

Specification for Speaker	Page	2/10
	Revision No.	1.3
	Drawing No.	KFC7952
Model No. : KP2848SP5F600C55-7952		

CONTENTS

1. Scope
2. General
3. Electrical and Acoustic Characteristics.
4. Reliability Test
5. Measurement Block Diagram & Response curve
6. Structure
7. Dimensions
8. Packing
9. Revision

Specification for Speaker

Page

3/10

Revision No.

1.3

Model No. : KP2848SP5F600C55-7952

Drawing No.

KFC7952

1. Scope

This specification is applied to the dynamic speaker which is used all of the electrical acoustic product.

-- compact, rich sound

-- applications: mobile phone, PDA, notebook computer, etc. ..

2. General

2.1 Out-Diameter : 28 mm

2.2 Height : 5 mm

2.3 Weight : 5.5 g

2.4 Operating Temperature range:

-30~+70°C without loss of function

2.5 Store Temperature range:

-40~+85°C without loss of function

3. Electrical and Acoustic Characteristics.

Test condition : 15 ~ 35 °C, 25% ~ 85% RH, 860~1060 mbar

No	Items	Specification
1	Impedance	8 Ω \pm 15% (1Vrms at 2KHz)
2	Sound Pressure Level	96 dB \pm 3dB (0.5w/0.1m at 1.0kHz)
3	Resonance Frequency	600 Hz \pm 20%
4	Frequency Range	F0 ~20KHz
5	Input Power	Rated 0.5 W/ Max. 1 W For 1 minute
6	Distortion	<10% Max. at 2kHz/0.5w
7	Buzz and Rattle	Should not be audible buzzes,rattles when the 2V sine wave signal swept at frequency range.
8	Polarity	No Polarity

Specification for Speaker

Page 4/10

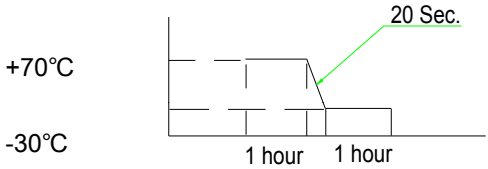
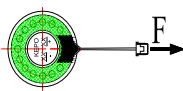
Revision No. 1.3

Model No. : KP2848SP5F600C55-7952

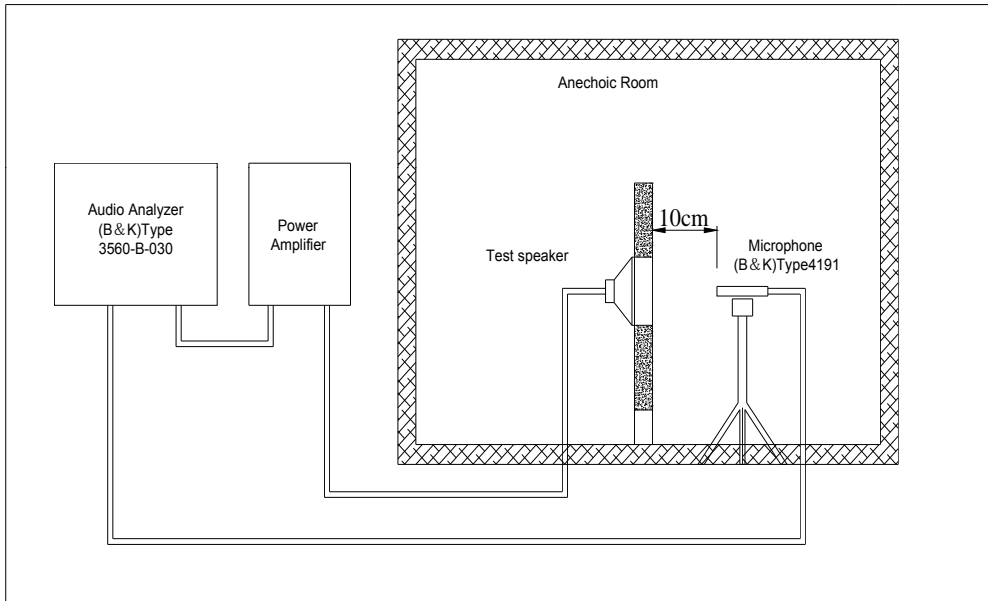
Drawing No. KFC7952

4. Reliability Test

After test(1~9item), the speaker S.P.L . difference shall be within $\pm 3\text{dB}$, and the appearance not exist any change to be harmful to normal operation (e.g. cracks,rusts,damages and especially distortion).

No	Items	Specification
1	High Temperature Test	After being placed in a chamber with $+85\pm 3\text{ }^\circ\text{C}$ for 96 hours and then being placed in natural condition for 1 hour, speaker shall be measured.
2	Low Temperature Test	After being placed in a chamber with $-40\pm 3\text{ }^\circ\text{C}$ for 96 hours and then being placed in natural condition for 1 hour, speaker shall be measured.
3	Humidity Test	After being placed in a chamber with 85 to 90%R.H. at $+40\pm 2\text{ }^\circ\text{C}$ for 96 hours and then being placed in natural condition for 1 hour, speaker shall be measured.
4	Thermal Shock Test	<p>After being placed in a chamber at $+70^\circ\text{C}$ for 1 hour, then speaker shall be placed in a chamber at -30°C for 1 hour(1 cycle is the below diagram). After 6 above cycles, speaker shall be measured after being placed in natural condition for 1 hour.</p> 
5	Vibration Test	After being applied vibration of amplitude of 1.5mm with 10 to 55Hz band of vibration frequency to each of 3 perpendicular directions for 1 hour, then placed in natural condition for 1
6	Drop Test	The speaker when mounted in the jig which weight 85g~100g, shall with stand 15 times random drops from a height of 1.5 meter to a concrete floor faced with 5mm thick hard wood
7	Load test	After being applied loading white noise with input power 0.5W(2Vrms.) for 96 hours, then placed in natural condition for 1 hour, speaker shall be measured.
8	Insulation test	When they are measured with DC 100V the insulation resistance between v.c. terminal and frame must be more than
9	Crimping Strength	<p>The endurance between the housing and the crimp terminal should be such that they do not fall apart by the weight of 20.0N(2.0kgf) for 30</p> 

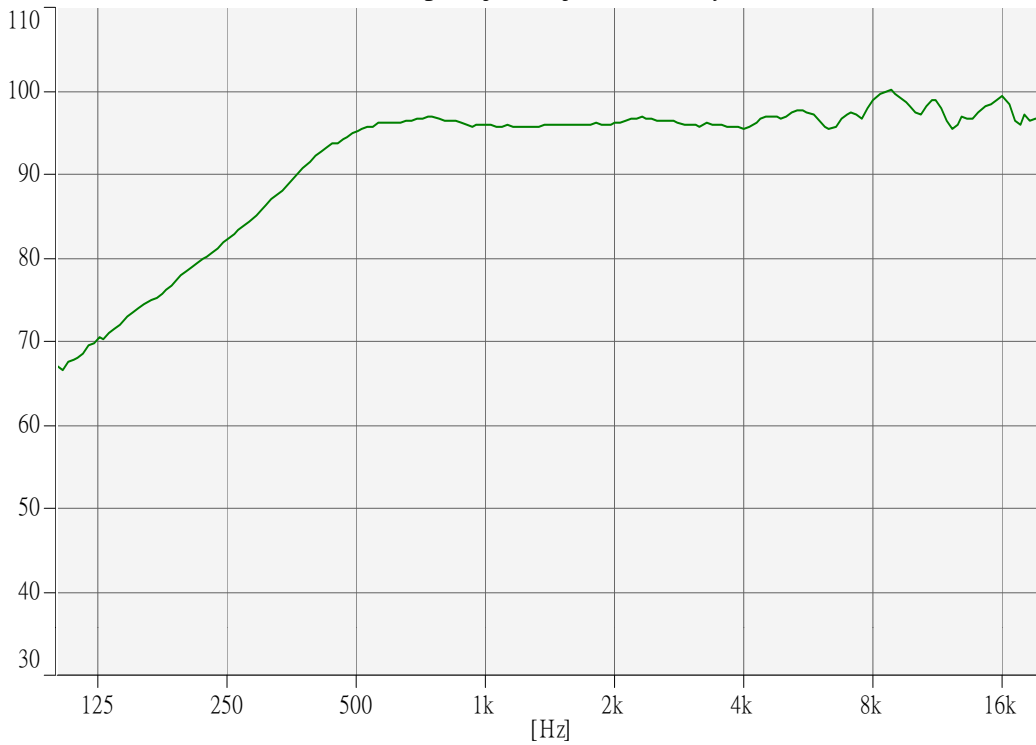
5. Measurement Block Diagram & Response curve



[dB/20.0u Pa]

Output Response(Signal 1) - Input (Magnitude)

Working : Input : Input : SSR Analyzer



Specification for Speaker

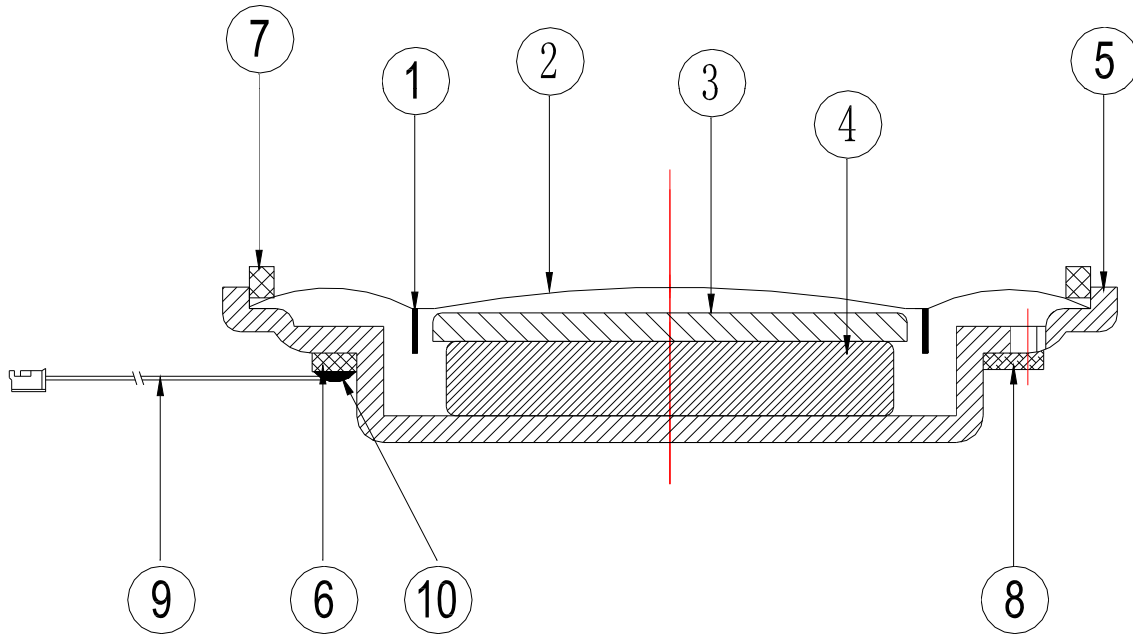
Page 6/10

Revision No. 1.3

Model No. : KP2848SP5F600C55-7952

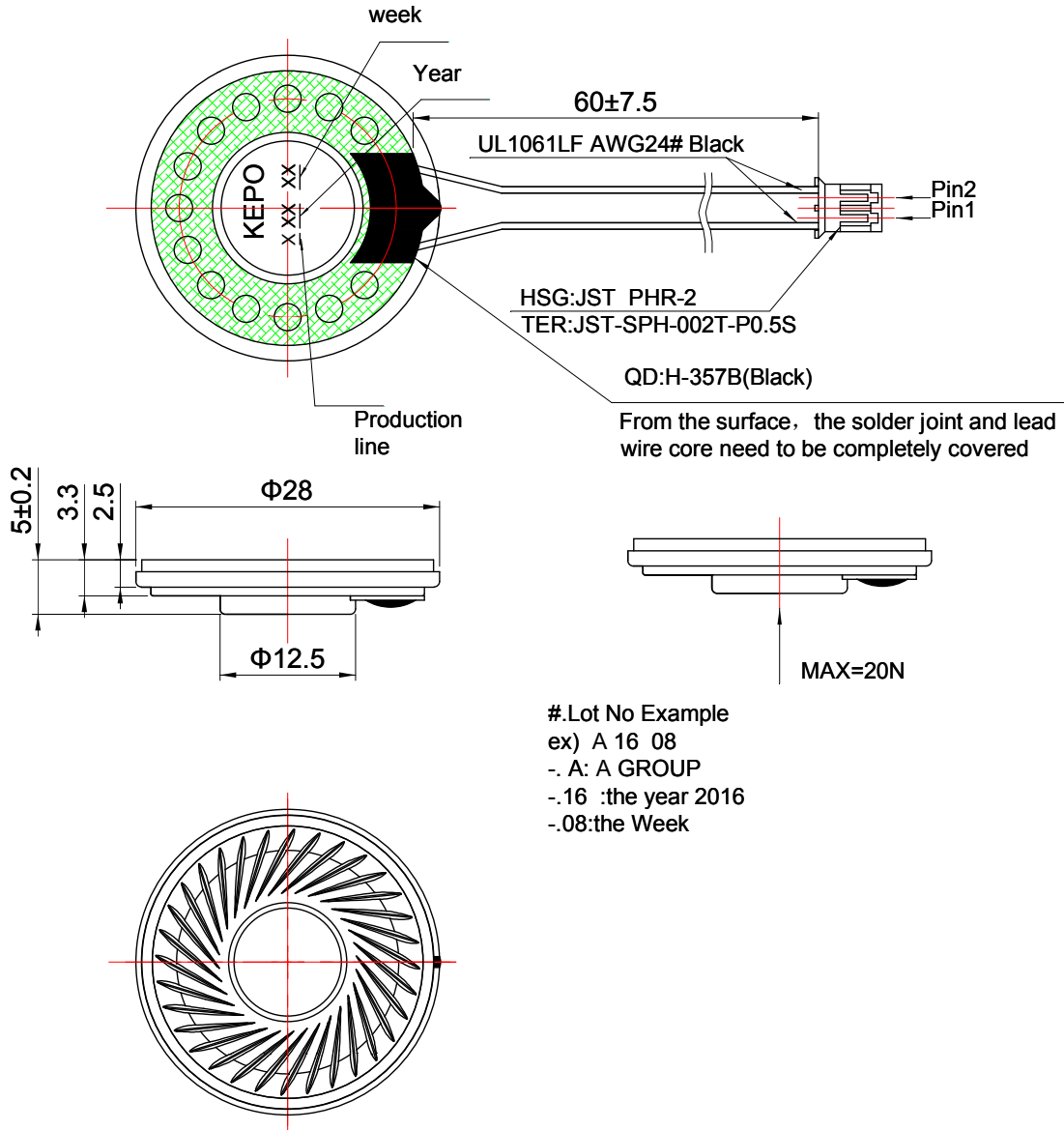
Drawing No. KFC7952

6. Structure



10	Solder	/	LEAD-FREE SOLDER Φ0.6	Flammability:without (喜焊)
9	connector	1	HSG JST PHR-2	Flammability:UL94-V0(日东电线)
			TER JST SPH-002T-P0.5S	
			WIRE:UL1061LF AWG24#	
8	Screen	1	unwoven fabric	Flammability:without(旭泰)
7	Gasket	1	Paper	Flammability:without(豪杰)
6	Terminal	1	FR-4 t=0.7	Flammability:UL94-V0(亿通)
5	Frame	1	SPCC t=0.8	Flammability:without(伟嘉)
4	Magnet	1	Nd-Fe-B Φ9.5x1.6t	Flammability:without(万磁)
3	Plate	1	SPCC Φ9.9x0.6t	Flammability:without(伟嘉)
2	Diaphragm	1	Mylar	Flammability:UL-94 VTM-0(高涌)
1	V-coil	1	DHT-2DS FY 0.06	Flammability:without(大黑)
No.	Part Name	Q'ty	Material	Remarks

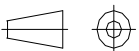
7. Dimensions



From the surface, the solder joint and lead wire core need to be completely covered

#.Lot No Example
 ex) A 16 08
 - A: A GROUP
 -.16 :the year 2016
 -.08:the Week

FIRST ANGLE PROJECTION



UNIT : mm

Tolerance : ± 0.2

Specification for Speaker

Page

8/10

Revision No.

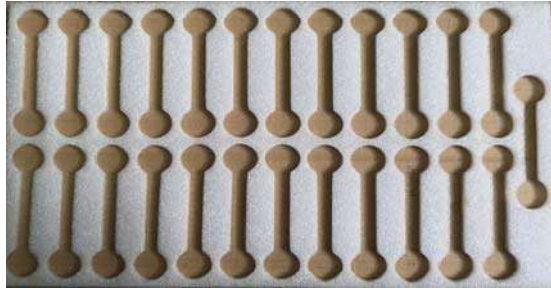
1.3

Model No. : KP2848SP5F600C55-7952

Drawing No.

KFC7952

8. Packing



每槽2PCS,每板
50PCS



每箱16板



每箱装16板，共800PCS

QTY:50X16=800PC

S

425x275x220mm

KEPO製スピーカー KP2848SP5F600C55-7952の梱包について

磁性体を航空輸送する場合、通常の梱包では航空計器に影響を及ぼす恐れがあるため、IATA基準の漏洩磁束規定に合わせた梱包状態にする必要があります。
IATA危険物規則書において定められた規定に従い、下記のような梱包としております。

- ① 写真のような形状が2つ、上下2段になって1箱の中に入っています。



- ② こちらが上面です。
この状態でテープを切り開梱してください。
RoHSのシールが目印です。



- ③ こちらが下面です。
シールは貼っておりません。
この状態でテープを切りますと製品がバラける
可能性があります。



- ④ (下側)一段目を入れたときの写真です。
上面を上にして入っています。



- ⑤ 上側(2段目)は下面を上にして入っています。
④とは天地が反対になっています。



