

# VECO VANSONIC ENTERPRISE CO., LTD.

8F., No.7, Lane 16, Sec.2, Szechwan Road, Panchiao, Taipei Hsien, TAIWAN.

TEL: +886-2-29626335

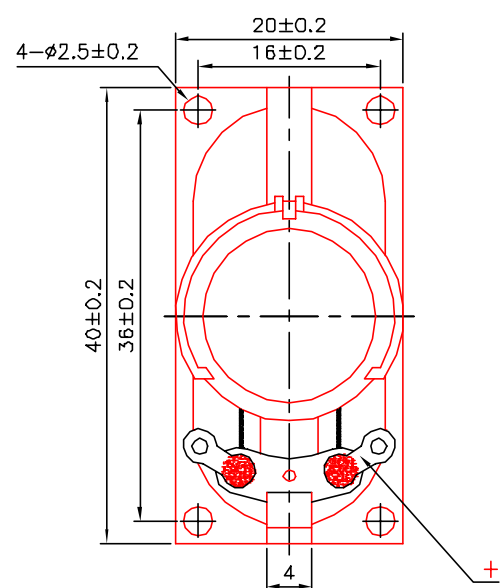
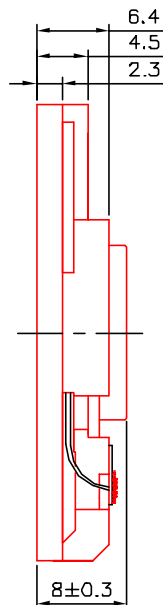
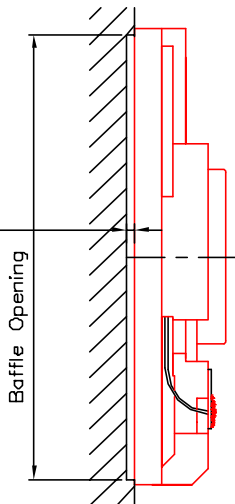
FAX: +886-2-29625220

E-MAIL: VANSONIC@MS4.HINET.NET

1.	<b>MODEL:</b>	<b>40KS08</b>			
2.	Dimension	Outer Diameter	20 X 40mm.	Baffle Opening	19 X 39mm.
		Height	Refer to Drawing.	Weight	6.2 Grams.
3.	Magnet	Materials	Rare Earth	Size	∅ 11x1.5 mm.
4.	Nominal Impedance	8	± 15 %	At	1500 Hz.
5.	Power Rating	Normal	1000 mW.	Maximum	1500 mW.
6.	Lowest Resonant Frequency	550	± 20 %		Hz.
7.	Output Sound Pressure Level (S.P.L.)	88	± 3 db / 1.0 Watt	. 0.5 Meter.	
		Average at	800, 1000, 1200, 1500	Hz.	
8.	Frequency Range	300	~ 12000 Hz.	Average SPL - 10 db.	
9.	Distortion	5 %	Maximum At	1000 Hz.	1000 mW.
10.	Abnormal Sound Test	Must be Normal Tested By		2.9 Volts.	Sine Wave.
11.	Load Test	White Noise with Weighted Filter		2.9 Volts.(RMS)	24Hrs.
12.	Polarity	Diaphragm shall move Forward when Apply a Positive DC.			
		Current to the "+" or "Marked" Terminal.			

## MOUNTING NOTICE

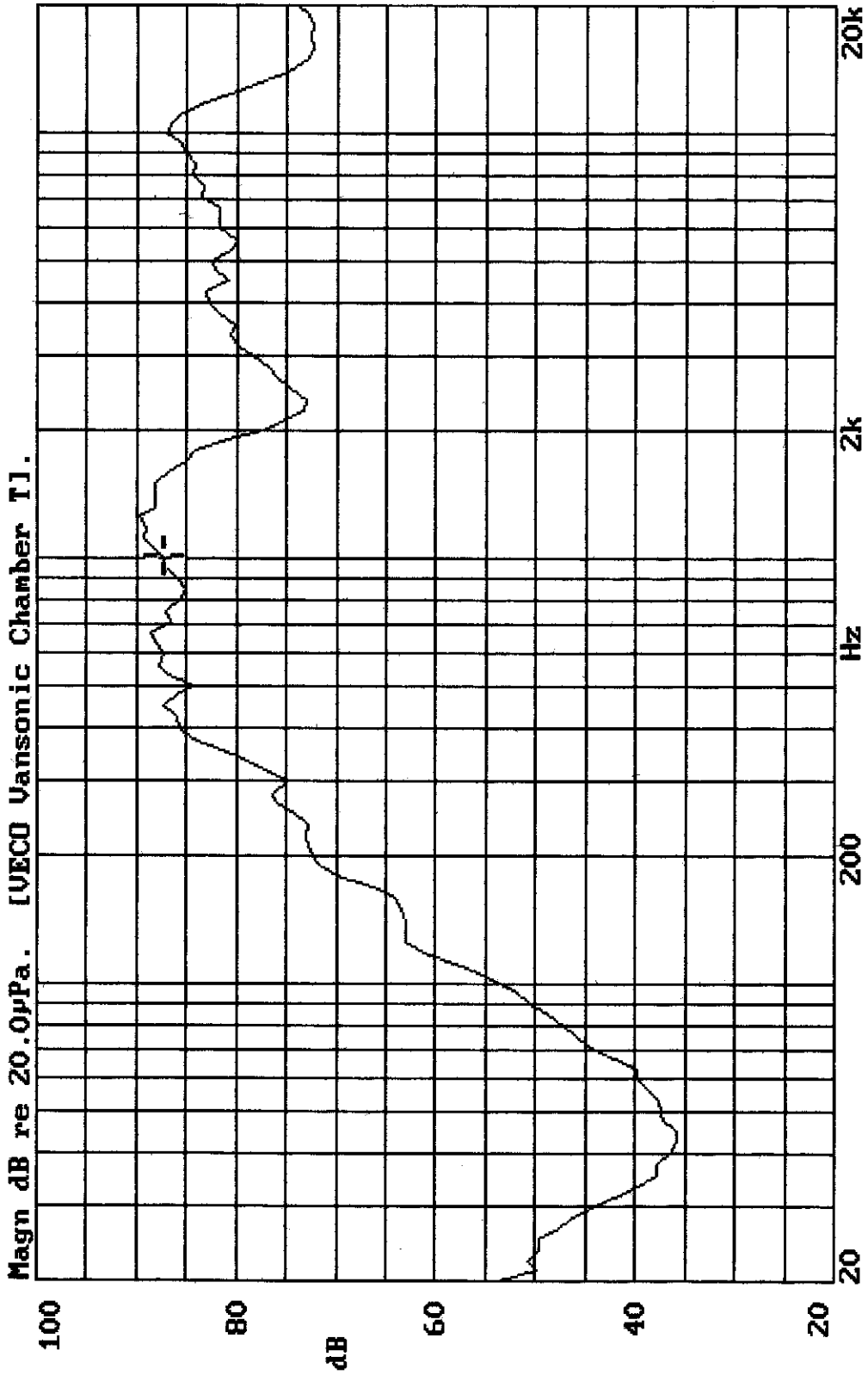
AT LEAST  
0.8mm  
FOR  
DIAPHRAM  
MOVING



Unit : mm

Housing Material : PBT

40KS08 VOL:2.828V(1W) DIS:0.5M VANSONIC  
X:1.0000kHz \*Y:87.35dB ZA:1.0000 SSR Fund.



23-MAR-2001 13:46:40

Mode: SSR

