

# SPECIFICATIONS FOR LCD MODULE

<b>CUSTOMER</b>	
<b>CUSTOMER PART NO.</b>	
<b>AMPIRE PART NO.</b>	<b>AM-800600M3TNQW-01H-F</b>
<b>APPROVED BY</b>	
<b>DATE</b>	

- Approved For Specifications  
 Approved For Specifications & Sample

**AMPIRE CO., LTD.**  
**2F., No.88, Sec. 1, Sintai 5th Rd., Sijhih City, Taipei County 221, Taiwan**  
**(R.O.C.)台北縣汐止市新台五路一段 88 號 2 樓(東方科學園區 D 棟)**  
**TEL:886-2-26967269 , FAX:886-2-26967196 or 26967270**

APPROVED BY	CHECKED BY	ORGANIZED BY

## RECORD OF REVISION

Revision Date	Page	Contents	Editor
2010/9/13	-	New Release	Kevin
2011/03/23	3,4	Correct the brightness	Kevin

# 1. INSTRUCTION

Ampire 8.4" Display Module is a color active matrix TFT-LCD that uses amorphous silicon TFT as a switching device . This model is composed of a TFT-LCD panel, a driving circuit. This TFT-LCD has a high resolution (800(R.G.B) X 600) and can display up to 262,144 colors.

## 1.1 Features

- (1) Construction : a-Si TFT-LCD with driving system, White LED Backlight.
- (2) LCD type : Transmissive , Normally White
- (3) Number of the Colors : (a) 262K colors (LVDS 6 bits mode) (default)  
(b) 16.2M colors (LVDS 8 bits mode).
- (4) LVDS Interface (**Default setting : 6 bit mode**).
- (5) LCD Power Supply Voltage : 3.3V single power input, built-in power supply circuit.
- (6) Build-in LED Driver IC (VLED=12V).
- (7) ROHS compliant.
- (8) **Reflective ratio 0.5% ~ 2%**

## 2. PHYSICAL SPECIFICATIONS

Item	Specifications	unit
Display resolution(dot)	800RGB (W) x 600(H)	dots
Active area	170.40 (W) x 127.80(H)	mm
Pixel pitch	213 (W) x 213 (H)	um
Color configuration	R.G.B -stripe	
Overall dimension	203.0(W) x 145.5(H) x 8.0(D)	mm
Weight	280	g
<b>Brightness</b>	<b>450</b>	<b>Cd/m<sup>2</sup></b>
Backlight unit	LED	
Display color	262K (default)	colors

If user wants to change the default setting for mass production, please contact with Ampire. We'll apply a new P/N for you.

### 3. ABSOLUTE MAXIMUM RATINGS

Item	Symbol	Min.	Max.	Unit	Note
Supply voltage range	VCC	-0.3	4	V	(1)
Voltage range at any terminal	VI	-0.3	VCC + 0.3	V	
Operating Temperature	Top	-20	70	°C	
Storage Temperature	Tstg	-30	80	°C	

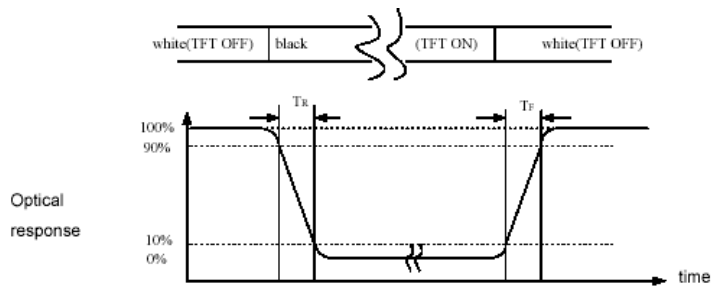
Note : All voltage values are with respect to the GND terminals unless otherwise noted.

### 4. OPTICAL CHARACTERISTICS

Item		Symbol	Condition	Min.	Typ.	Max.	Unit	Note
Response Time		$T_r + T_f$	$\Theta = \Phi = 0^\circ$	-	8	16	ms	(1)
Contrast ratio		CR		480	600	-	-	(2)(3)
Viewing Angle	Horizontal	$\Theta_L$	$CR \geq 10$	65	75	-	Deg.	(5)
		$\Theta_R$		65	75	-		
	Vertical	$\Theta_U$		50	60	-		
		$\Theta_D$		60	70	-		
Luminance (Center)		L	$\Theta = \Phi = 0^\circ$	280	450	--	cd/m <sup>2</sup>	(3)(4) IL=52mA Ta=25°C
Luminance Uniformity		$\Delta L$		-	70	-	%	(3)(4)
Color chromaticity	White	Wx		0.26	0.31	0.367		
		Wy	0.28	0.33	0.38			

NOTE :

- These items are measured by BM-5A(TOPCON) or CA-1000(MINOLTA) in the dark room (no ambient light)
- (1) Definition of Response Time (White-Black)



(2) Definition of Contrast Ratio

Measure contrast ratio on the below 5 points (refer to figure 1, #1~#5 point) and take the average value

Contrast ratio is calculated with the following formula :

$$\text{Contrast Ratio (CR)} = (\text{White}) \text{Luminance of ON} \div (\text{Black}) \text{Luminance of OFF}$$

(3) Definition of Luminance :

Measure white luminance on the center point (point 5) and take the value.

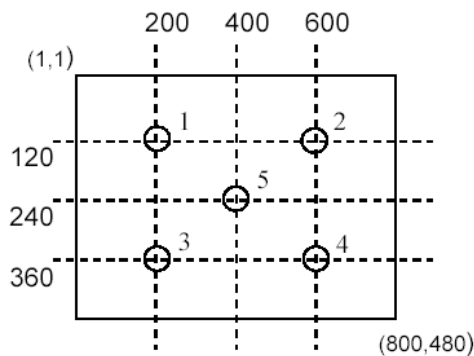


Fig.1 Measuring point

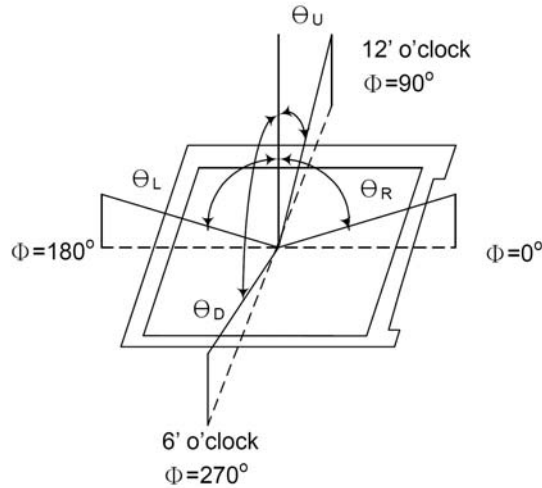
(4) Definition of Luminance Uniformity :

Measured Maximum luminance [L(MAX)] and Minimum luminance [L(MIN)] on the 5 points

Luminance Uniformity is calculated with the following formula :

$$\Delta L = [ L(\text{MIN}) / L(\text{MAX}) ] \times 100\%$$

(5) Definition of Viewing Angle



## 5. ELECTRICAL CHARACTERISTICS

### 5.1 Power Specification

Item	Symbol	Min.	Typ.	Max.	Unit	Note
Logic / LCD Drive Voltage	VCC	3.0	3.3	3.6	V	
VCC Current	ICC		120		mA	(1)

Note1:  $f_v = 60\text{Hz}$  ,  $T_a = 25^\circ\text{C}$  , Display pattern : All Black

### 5.2 LVDS electrical Specification

$V_{CC} = 3.0 - 3.6\text{V}$ ,  $T_a = -10 - +70^\circ\text{C}$

SYMBOL	PARAMETER	CONDITIONS	MIN	TYP	MAX	UNITS
--------	-----------	------------	-----	-----	-----	-------

#### CMOS/TTL DC SPECIFICATIONS

$V_{IH}$	High Level Input Voltage		2.0		$V_{CC}$	V
$V_{IL}$	Low Level Input Voltage		GND		0.8	V
$V_{OH}$	High Level output Voltage	$I_{OH} = -4\text{mA}$	2.4			V
$V_{OL}$	Low Level Output Voltage	$I_{OL} = 4\text{mA}$			0.4	V
$I_{IN}$	Input Current	$0\text{V} \leq V_{IN} \leq V_{CC}$			$\pm 10$	$\mu\text{A}$
$I_{PD}$	Pull Down Current	R/F pin, $V_{IH} = V_{CC}$			100	$\mu\text{A}$
$I_{OS}$	Output Short Circuit Current	$V_{OUT} = 0\text{V}$			-50	mA

## LVDS DRIVER DC SPECIFICATIONS

$V_{OD}$	Differential Output Voltage	RL=100Ω	250	350	450	mV
$\Delta V_{OD}$	Change in VOD between Complimentary Output States				35	mV
$V_{OC}$	Common Mode Voltage		1.125	1.25	1.375	V
$\Delta V_{OC}$	Change in VOC between Complimentary Output States				35	mV
$I_{OS}$	Output Short Circuit Current	$V_{OUT}=0V, RL=100\Omega$			-24	mA
$I_{OZ}$	Output TRI-STATE Current	/PDWN=0V, $V_{OUT}=0V$ to $V_{cc}$			±10	μA

## LVDS RECEIVER DC SPECIFICATIONS

$V_{TH}$	Differential Input High Threshold	$V_{OC}=+1.2V$			+100	mV
$V_{TL}$	Differential Input low Threshold		-100			mV
$I_{IN}$	Input Current	$V_{IN}=+2.4V/0V$ $V_{cc}=3.6V$			±10	μA

## 6. BACKLIGHT UNIT

Item	Symbol	Min.	Typ.	Max.	Unit	Note
Input Voltage	VLED	10.8	12.0	12.6	V	
Input Current	ILED	--	210	--	mA	100% PWM duty
Dimming Frequency	Fpwm	200		30K	Hz	
Dimming Voltage High		2	--	5.0	V	
Dimming Voltage Low		0	--	0.8	V	
LED Forward Current	IF	--	52	60	mA	Ta=25°C
LED Forward Voltage	VF		38.4	43.8	V	IF=52mA, Ta=25°C
LED life time			50,000	-	Hr	IF=52mA, Ta=25°C

Note 1: Ta means ambient temperature of TFT-LCD module.

Note 2: VLED, ILED are defined for LED B/L. (100% duty of PWM dimming)

Note 3: IF, VF, Fpwm are defined for LED Driver.

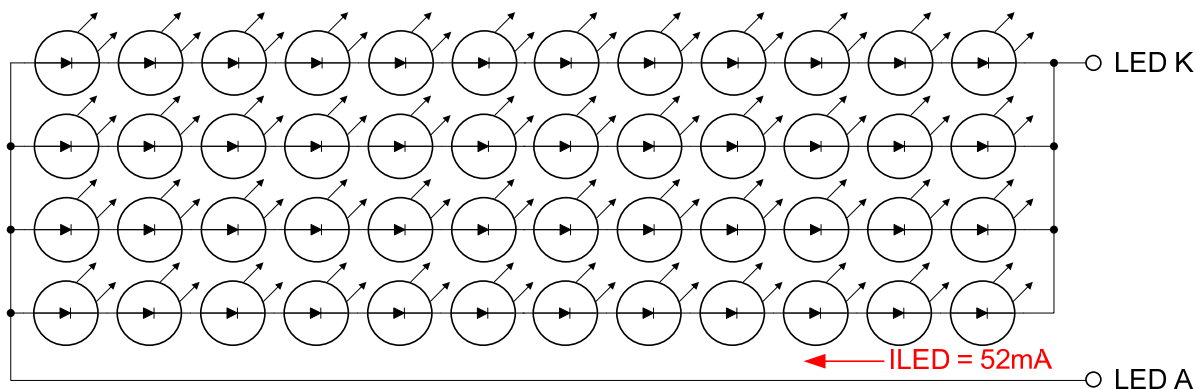
Note 4: If the module is driven by high current or at high ambient temperature &

humidity condition. The operating life will be reduced.

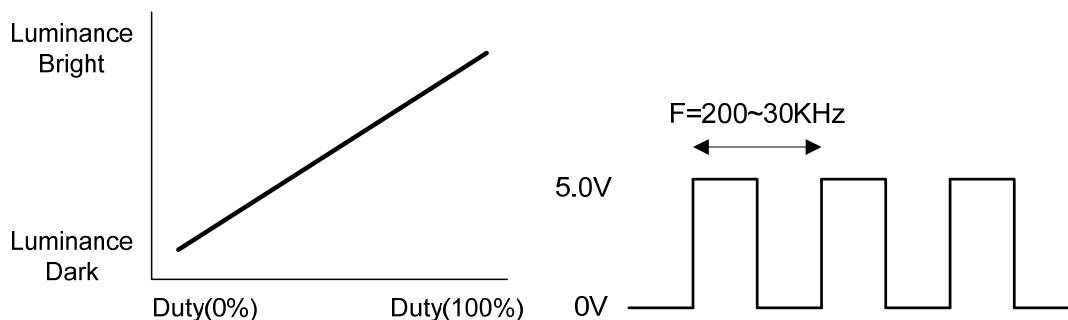
Note 5: Operating life means brightness goes down to 50% minimum brightness.

LED life time is estimated data.

Note 6: the structure of LED B/L shows as below.



## 6.1 PWM Dimming Control



## 7. INTERFACE

### 7.1 Interface Definition

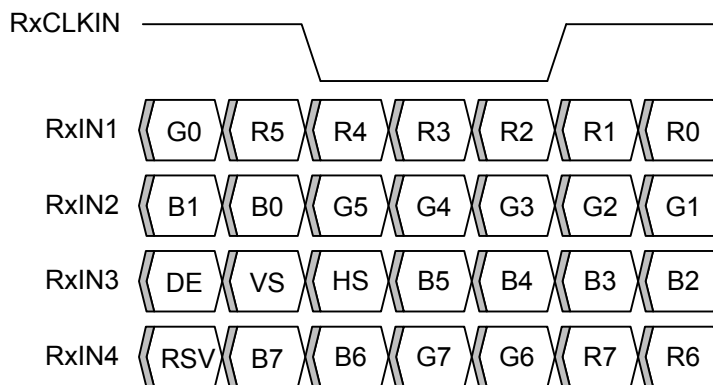
#### CN1 : LVDS Connector

Pin no	Symbol	Function
1	VCC	POWER SUPPLY:3.3V
2	VCC	POWER SUPPLY:3.3V
3	UD	Vertical Reverse Scan Control.
4	LR	Horizontal Reverse Scan Control.
5	RXIN1-	Transmission Data of Pixels 1
6	RXIN1+	Transmission Data of Pixels 1



7	GND	Power Ground
8	RXIN2-	Transmission Data of Pixels 2
9	RXIN2+	Transmission Data of Pixels 2
10	GND	Power Ground
11	RXIN3-	Transmission Data of Pixels 3
12	RXIN3+	Transmission Data of Pixels 3
13	GND	Power Ground
14	RXCKIN-	Sampling Clock
15	RXCKIN+	Sampling Clock
16	GND	Power Ground
17	NC	No connection
18	NC	No connection
19	NC	<b>LVDS 6 bits mode : No connection (default)</b> LVDS 8 bit mode : (RXIN4-) Transmission Data of Pixels 4
20	NC	<b>LVDS 6 bits mode : No connection (default)</b> LVDS 8 bit mode : (RXIN4+) Transmission Data of Pixels 4

### 8 bits LVDS input

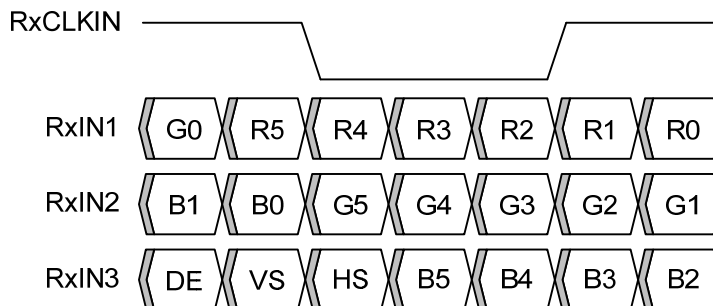


Note : R/G/B data 7 : MSB, R/G/B data 0 : LSB

Signal Name	Description	Remark
R7	Red Data 7 (MSB)	Red-pixel Data Each red pixel's brightness data consists of these 8 bits pixel data.
R6	Red Data 6	
R5	Red Data 5	
R4	Red Data 4	
R3	Red Data 3	
R2	Red Data 2	
R1	Red Data 1	
R0	Red Data 0 (LSB)	

G7 G6 G5 G4 G3 G2 G1 G0	Green Date 7 (MSB) Green Date 6 Green Date 5 Green Date 4 Green Date 3 Green Date 2 Green Date 1 Green Date 0 (LSB)	Green-pixel Data Each green pixel's brightness data consists of these 8 bits pixel data.
B7 B6 B5 B4 B3 B2 B1 B0	Blue Data 7 (MSB) Blue Data 6 Blue Data 5 Blue Data 4 Blue Data 3 Blue Data 2 Blue Data 1 Blue Data 0 (LSB)	Blue-pixel Data Each blue pixel's brightness data consists of these 8 bits pixel data.
RxCLKIN+ RxCLKIN-	LVDS Clock Input	
DE	Display Enable	
VS	Vertical Sync	
HS	Horizontal Sync	

### 6 bits LVDS input

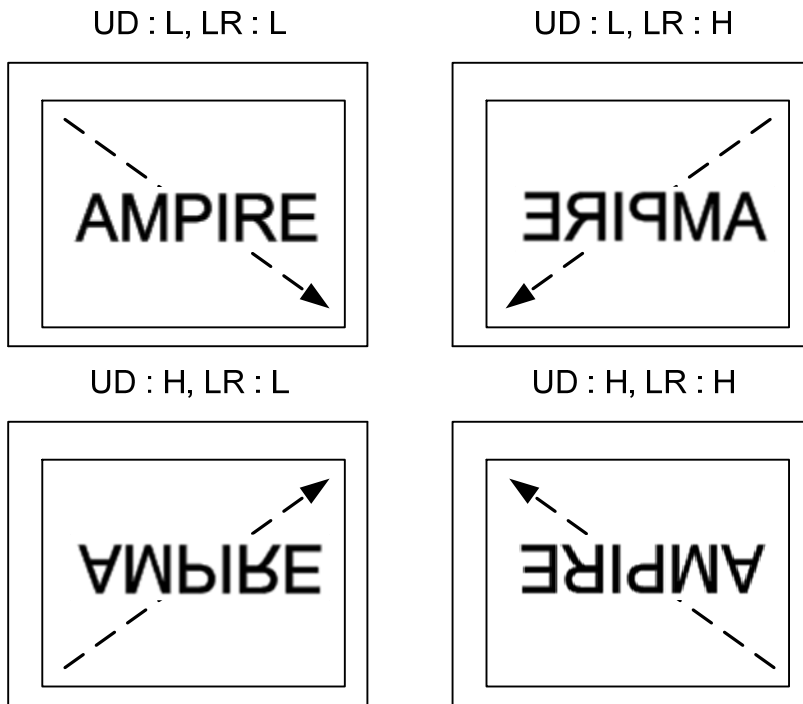


Note : R/G/B data 5 : MSB, R/G/B data 0 : LSB

Signal Name	Description	Remark
R5 R4 R3 R2 R1 R0	Red Data 5 (MSB) Red Data 4 Red Data 3 Red Data 2 Red Data 1 Red Data 0 (LSB)	Red-pixel Data Each red pixel's brightness data consists of these 6 bits pixel data.

G5 G4 G3 G2 G1 G0	Green Date 5 (MSB) Green Date 4 Green Date 3 Green Date 2 Green Date 1 Green Date 0 (LSB)	Green-pixel Data Each green pixel's brightness data consists of these 6 bits pixel data.
B5 B4 B3 B2 B1 B0	Blue Data 5 (MSB) Blue Data 4 Blue Data 3 Blue Data 2 Blue Data 1 Blue Data 0 (LSB)	Blue-pixel Data Each blue pixel's brightness data consists of these 6 bits pixel data.
RxCLKIN+ RxCLKIN-	LVDS Clock Input	
DE	Display Enable	
VS	Vertical Sync	
HS	Horizontal Sync	

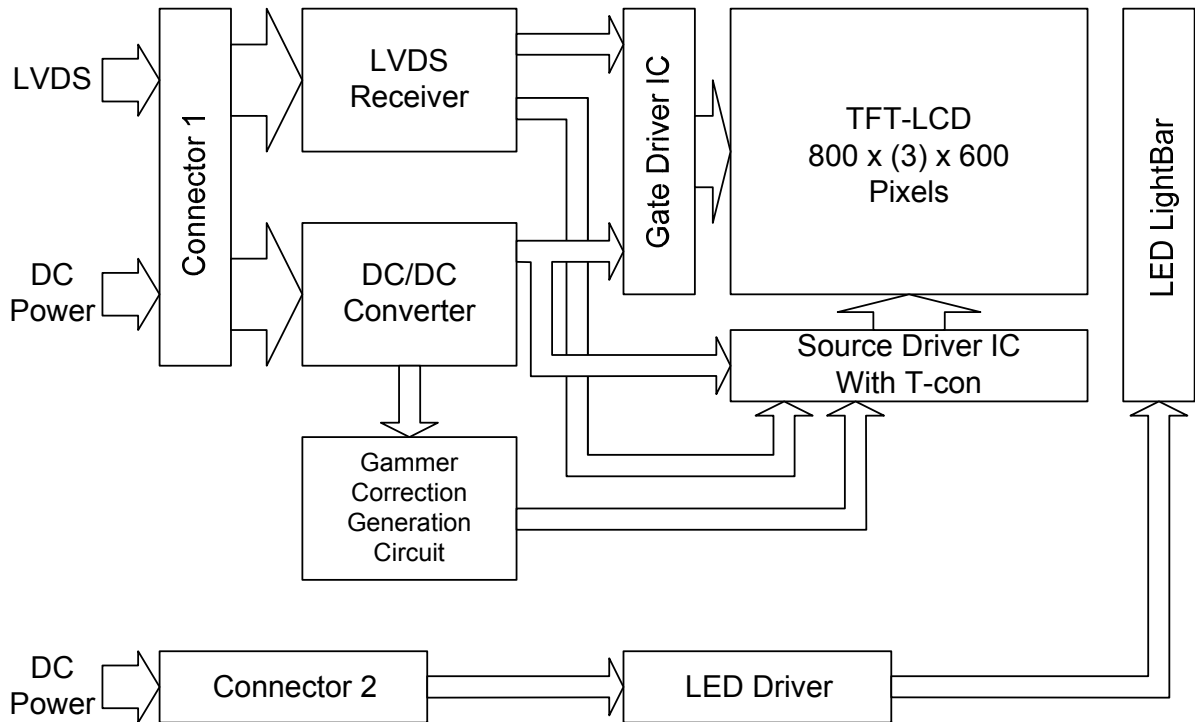
Setting of scan control input		Scanning direction
UD	LR	
GND	GND	Up to Down, Left to Right
VCC	VCC	Down to Up, Right to Left
GND	VCC	Up to Down, Right to Left
VCC	GND	Down to Up, Left to Right



**CN2 : LED Driver Connector**

Pin no	Symbol	Function
1	VLED	12V input
2	GND	GND
3	Display_ON/OFF	+3.3V:ON, 0V:OFF
4	Dimming	PWM

**7.2 Block Diagram**



## 8. AC Timing characteristic

### 8.1 AC Timing characteristic of LVDS

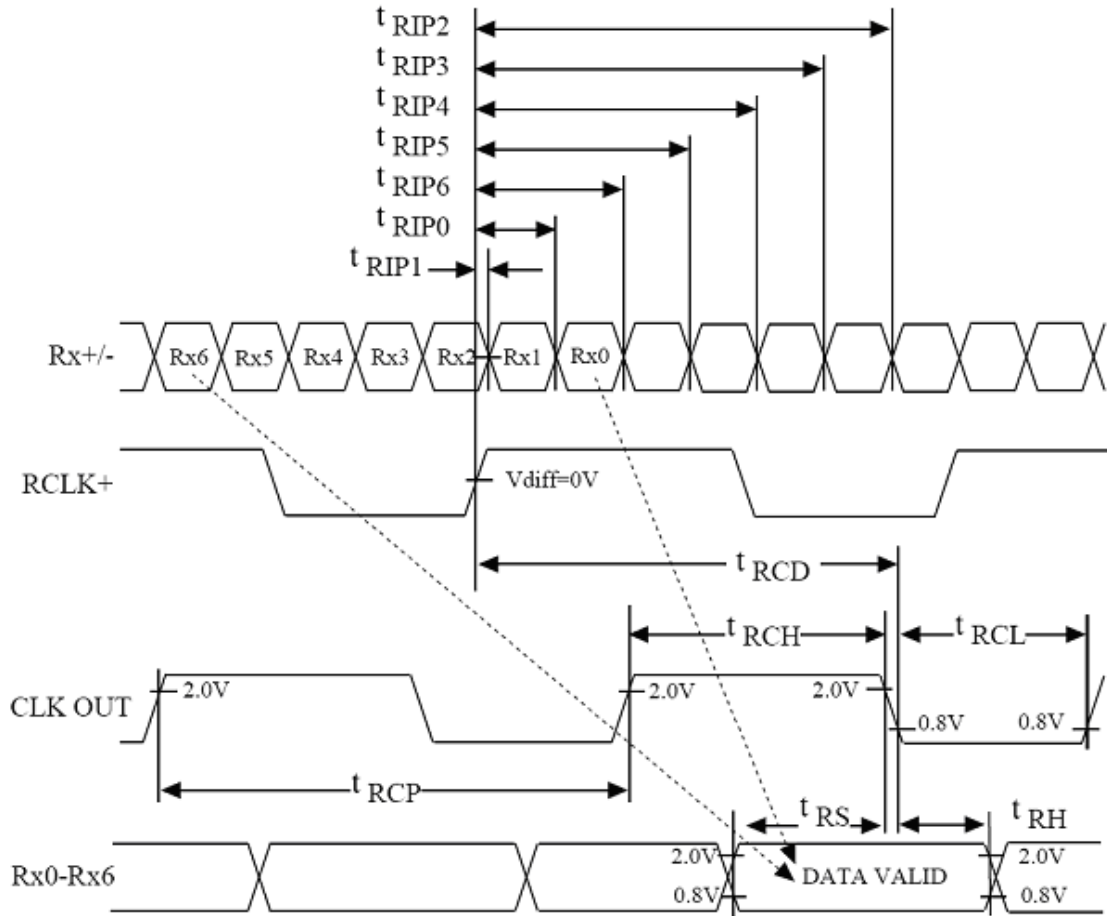
#### Switching Characteristics

$V_{cc} = 3.0 - 3.6V$ ,  $T_a = -10 - +70\text{ }^\circ\text{C}$

#### RECEIVER

$t_{RCP}$	CLK OUT Period	11.76	T	50.0	ns
$t_{RCH}$	CLK OUT High Time		$4T/7$		ns
$t_{RCL}$	CLK OUT Low Time		$3T/7$		ns
$t_{RCD}$	RCLK+/- to CLK OUT Delay		$5T/7$		ns
$t_{RS}$	TTL Data Setup to CLK OUT	$3T/7-2.5$			ns
$t_{RH}$	TTL Data Hold from CLK OUT	$4T/7-3.5$			ns
$t_{TLH}$	TTL Low to High Transition Time		3.0	5.0	ns
$t_{THL}$	TTL High to Low Transition Time		3.0	5.0	ns
$t_{RIP1}$	Input Data Position 0 (T=11.76ns)	-0.4	0.0	0.4	ns
$t_{RIP0}$	Input Data Position 1 (T=11.76ns)	$T/7-0.4$	$T/7$	$T/7+0.4$	ns
$t_{RIP6}$	Input Data Position 2 (T=11.76ns)	$2T/7-0.4$	$2T/7$	$2T/7+0.4$	ns
$t_{RIP5}$	Input Data Position 3 (T=11.76ns)	$3T/7-0.4$	$3T/7$	$3T/7+0.4$	ns
$t_{RIP4}$	Input Data Position 4 (T=11.76ns)	$4T/7-0.4$	$4T/7$	$4T/7+0.4$	ns
$t_{RIP3}$	Input Data Position 5 (T=11.76ns)	$5T/7-0.4$	$5T/7$	$5T/7+0.4$	ns
$t_{RIP2}$	Input Data Position 6 (T=11.76ns)	$6T/7-0.4$	$6T/7$	$6T/7+0.4$	ns
$t_{RPLL}$	Phase Lock Loop Set			10.0	ms

## RECEIVER DEVICE

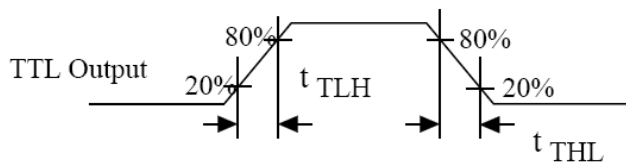
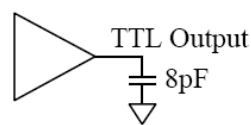


Note:

1)  $V_{diff} = (RA+) - (RA-), \dots (RCLK+) - (RCLK-)$

## RECEIVER DEVICE TRANSITION TIMES

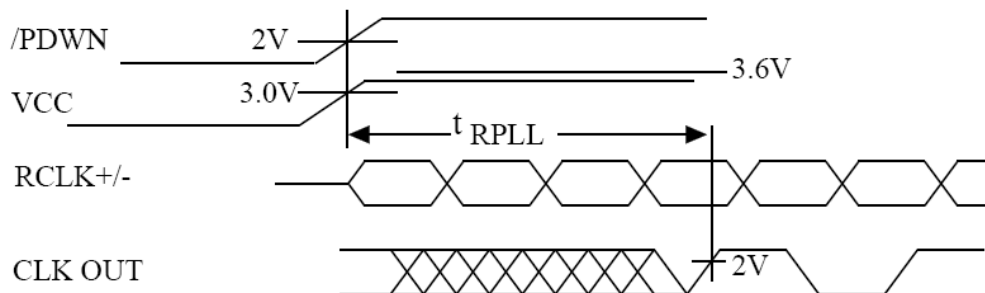
### TTL Output



### TTL output load

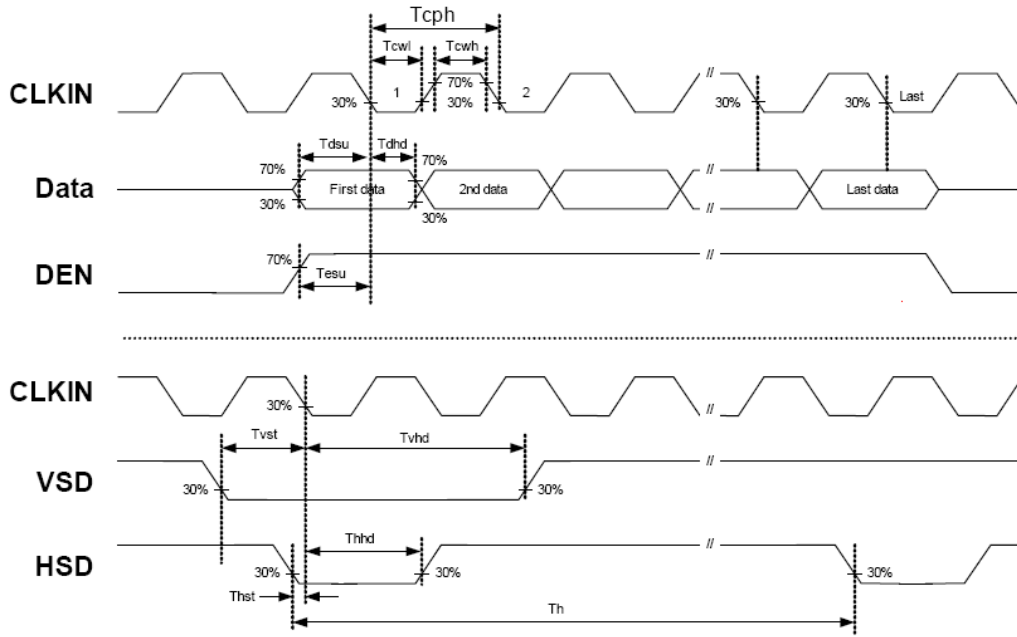
## PHASE LOCK LOOP SET TIME

### RECEIVER DEVICE

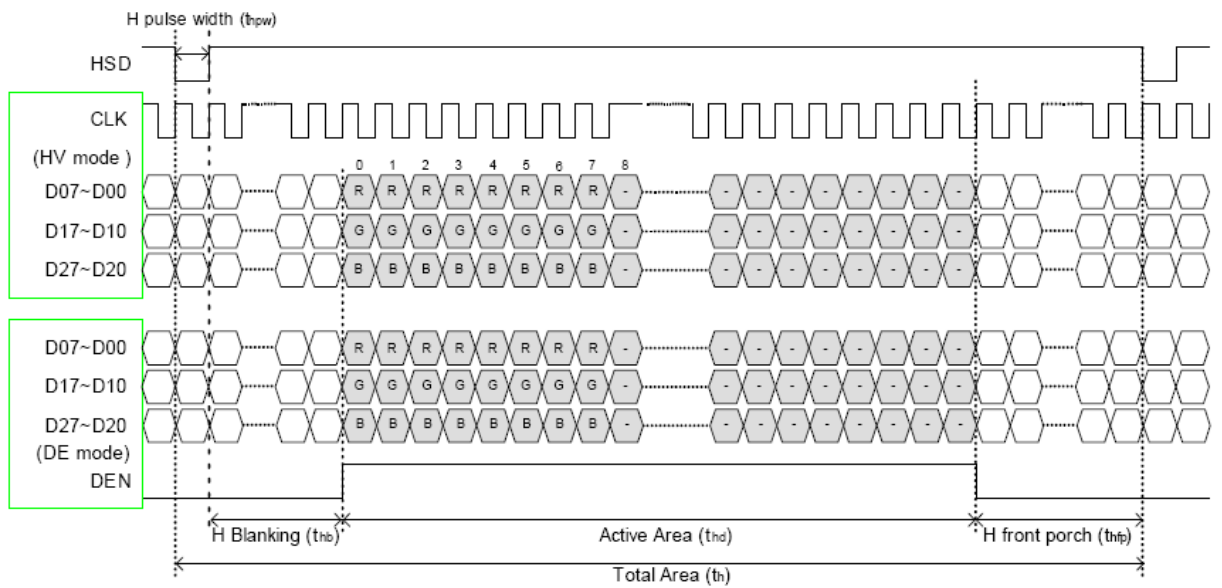


## 8.2 AC Timing characteristic of Panel

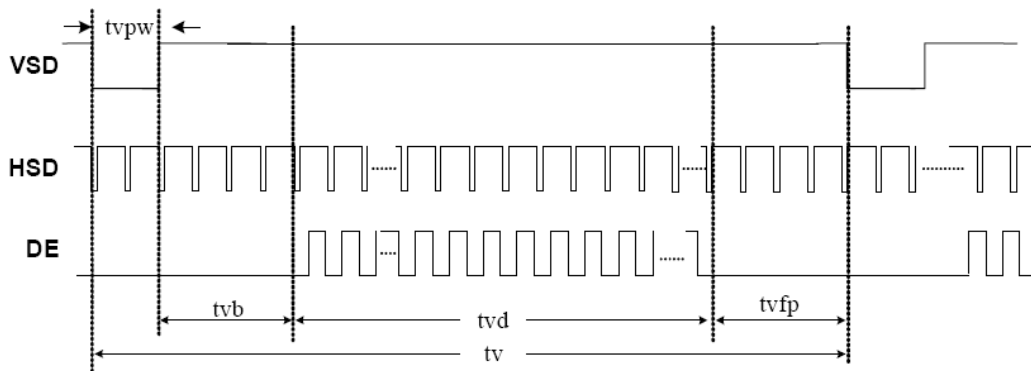
Item	Symbol	Min.	Typ.	Max.	Unit	Note
DCLK cycle time	Tcph	20			ns	
DCLK frequency	fclk		40	50	MHz	
DCLK pulse duty	Tcwh	40	50	60	%	
VSD setup time	Tvst	8			ns	
VSD hold time	Tvhd	8			ns	
HSD setup time	Thst	8			ns	
HSD hold time	Thhd	8			ns	
Data setup time	Tdsu	8			ns	
Data hold time	Tdhd	8			ns	
DE setup time	Tesu	8			ns	
DE hold time	Tehd	8			ns	
Horizontal display area	thd		800		Tcph	
HSD period time	th		1000		Tcph	
HSD pulse width	thpw	1	48		Tcph	
HSD back porch	thb		40		Tcph	
HSD front porch	thfp		112		Tcph	
Vertical display area	tvd		600		th	
VSD period time	tv		660		th	
VSD pulse width	tvpw		3		th	
VSD back porch	tvb		39		th	
VSD front porch	tvfp		18		th	



Sampling clock timing



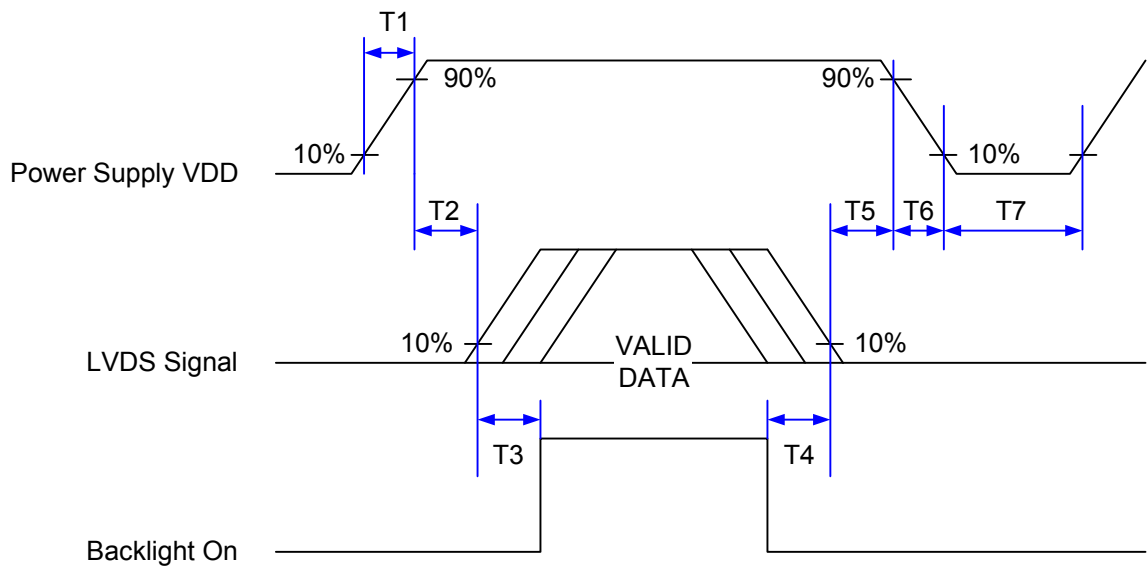
Horizontal display timing range



Vertical timing



### 8.3 Power ON/OFF Sequence



#### 8.3.1 Power ON/OFF sequence timing

Symbol	Value			Unit
	Min.	Typ.	Max.	
T1	0.5	--	20	ms
T2	0	40	50	ms
T3	200	--	--	ms
T4	200	--	--	ms
T5	0	40	50	ms
T6	0	--	20	ms
T7	1000	--	--	ms

## 9 . QUALITY AND RELIABILITY

### 9.1 TEST CONDITIONS

Tests should be conducted under the following conditions :

Ambient temperature :  $25 \pm 5^{\circ}\text{C}$

Humidity :  $60 \pm 25\% \text{ RH}$ .

### 9.2 SAMPLING PLAN

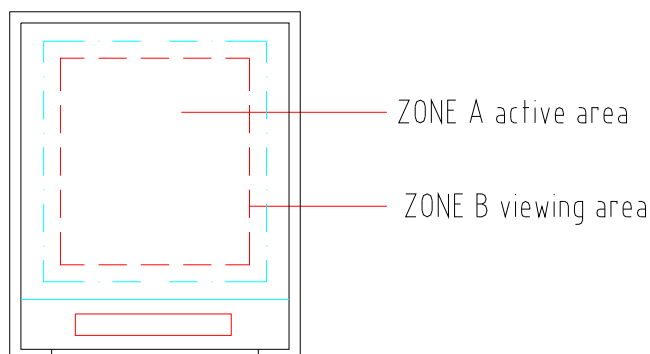
Sampling method shall be in accordance with MIL-STD-105E , level II, normal single sampling plan .

### 9.3 ACCEPTABLE QUALITY LEVEL

A major defect is defined as one that could cause failure to or materially reduce the usability of the unit for its intended purpose. A minor defect is one that does not materially reduce the usability of the unit for its intended purpose or is an infringement from established standards and has no significant bearing on its effective use or operation.

### 9.4 APPEARANCE

An appearance test should be conducted by human sight at approximately 30 cm distance from the LCD module under florescent light. The inspection area of LCD panel shall be within the range of following limits.



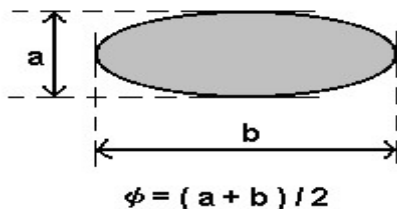
## 9.5 INCOMING INSPECTION STANDARD FOR TFT-LCD PANEL

DEFECT TYPE		LIMIT			Note	
VISUAL DEFECT	INTERNAL	SPOT	$\phi < 0.15\text{mm}$		Ignore	
			$0.15\text{mm} \leq \phi \leq 0.5\text{mm}$		$N \leq 4$	
			$0.5\text{mm} < \phi$		$N=0$	
		FIBER	$0.03\text{mm} < W \leq 0.1\text{mm}, L \leq 5\text{mm}$		$N \leq 3$	Note1
			$1.0\text{mm} < W, 1.5\text{mm} < L$		$N=0$	
		POLARIZER BUBBLE	$\phi < 0.15\text{mm}$		Ignore	Note1
			$0.15\text{mm} \leq \phi \leq 0.5\text{mm}$		$N \leq 2$	
			$0.5\text{mm} < \phi$		$N=0$	
		Mura	It' OK if mura is slight visible through 6%ND filter			
ELECTRICAL DEFECT	BRIGHT DOT		C Area	O Area	Total	Note3
			$N \leq 0$	$N \leq 2$	$N \leq 2$	Note2
	DARK DOT		$N \leq 2$	$N \leq 4$	$N \leq 4$	
	TOTAL DOT		$N \leq 4$			Note2
	TWO ADJACENT DOT		$N \leq 0$	$N \leq 0$	$N \leq 0$	Note4
	THREE OR MORE ADJACENT DOT		NOT ALLOWED			
	LINE DEFECT		NOT ALLOWED			

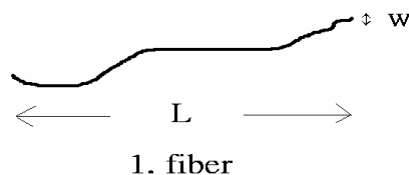
(1) One pixel consists of 3 sub-pixels, including R,G, and B dot.(Sub-pixel = Dot)

(2) LITTLE BRIGHT DOT ACCEPTABLE UNDER 6 % ND-Filter

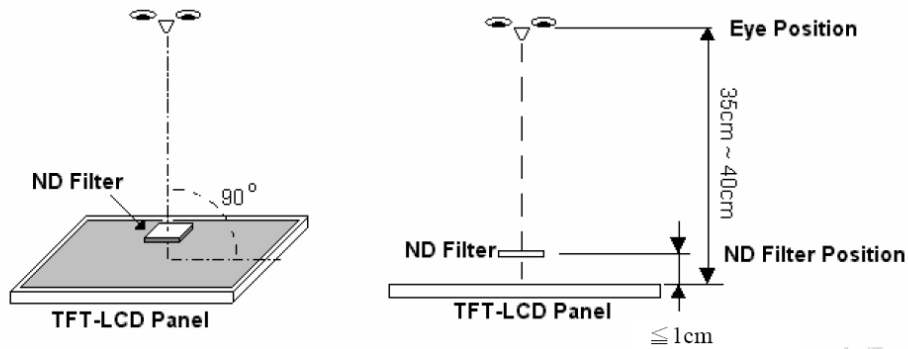
[Note1] W : Width[mm], L : Length[mm], N : Number,  $\phi$ : Average Diameter



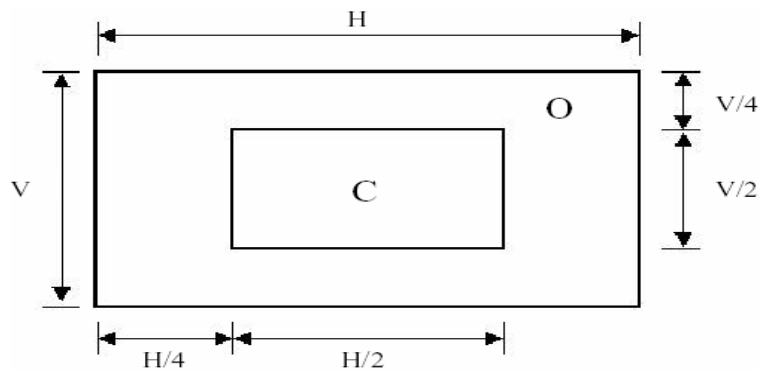
1. (White, black) Spot
2. Polarizer Bubble



**[Note2]** Bright dot is defined through 6% transmission ND Filter as following.



**[Note3]**

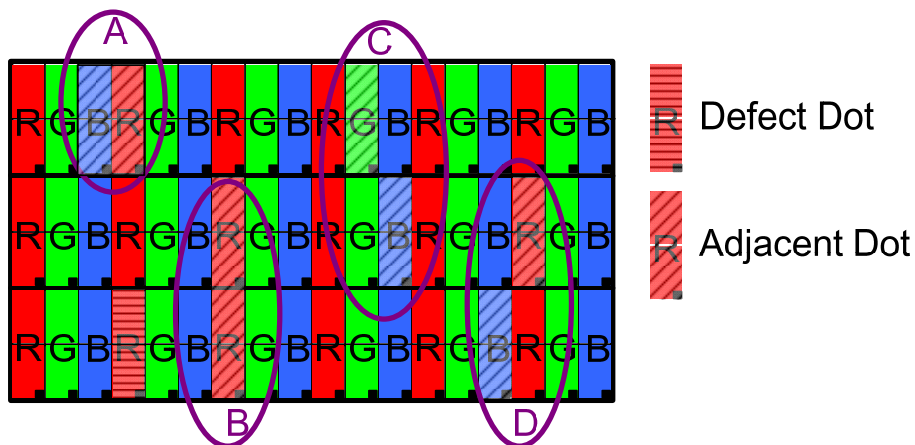


**C Area: Center of display area**

**O Area: Outer of display area**

**[Note4]**

Judge defect dot and adjacent dot as following. Allow below (as A, B, C and D status) adjacent defect dots, including bright and dark adjacent dot. And they will be counted 2 defect dots in total quantity.



(1) The defects that are not defined above and considered to be problem shall be reviewed and discussed by both parties.

(2) Defects on the Black Matrix, out of Display area, are not considered as a defect or counted.

## 9.6 Reliability Test

Test Item	Test Conditions	Note
High Temperature Operation	70±3°C , t=96 hrs	
Low Temperature Operation	-20±3°C , t=96 hrs	
High Temperature Storage	80±3°C , t=96 hrs	1,2
Low Temperature Storage	-30±3°C , t=96 hrs	1,2
Thermal Shock Test	-20°C ~ 25°C ~ 70°C 30 min. 5 min. 30 min. ( 1 cycle ) Total 5 cycle	1,2
Humidity Test	60 °C, Humidity 90%, 96 hrs	1,2
Vibration Test (Packing)	Sweep frequency : 10 ~ 55 ~ 10 Hz/1min Amplitude : 0.75mm Test direction : X.Y.Z/3 axis Duration : 30min/each axis	2

Note 1 : Condensation of water is not permitted on the module.

Note 2 : The module should be inspected after 1 hour storage in normal conditions

(15-35°C , 45-65%RH).

Definitions of life end point :

- Current drain should be smaller than the specific value.
- Function of the module should be maintained.
- Appearance and display quality should not have degraded noticeably.
- Contrast ratio should be greater than 50% of the initial value.

## **10. USE PRECAUTIONS**

### **10.1 Handling precautions**

- 1) The polarizing plate may break easily so be careful when handling it. Do not touch, press or rub it with a hard-material tool like tweezers.
- 2) Do not touch the polarizing plate surface with bare hands so as not to make it dirty. If the surface or other related part of the polarizing plate is dirty, soak a soft cotton cloth or chamois leather in benzine and wipe off with it. Do not use chemical liquids such as acetone, toluene and isopropyl alcohol. Failure to do so may bring chemical reaction phenomena and deteriorations.
- 3) Remove any spit or water immediately. If it is left for hours, the suffered part may deform or decolorize.
- 4) If the LCD element breaks and any LC stuff leaks, do not suck or lick it. Also if LC stuff is stuck on your skin or clothing, wash thoroughly with soap and water immediately.

### **10.2 Installing precautions**

- 1) The PCB has many ICs that may be damaged easily by static electricity. To prevent breaking by static electricity from the human body and clothing, earth the human body properly using the high resistance and discharge static electricity during the operation. In this case, however, the resistance value should be approx. 1M $\Omega$  and the resistance should be placed near the human body rather than the ground surface. When the indoor space is dry, static electricity may occur easily so be careful. We recommend the indoor space should be kept with humidity of 60% or more. When a soldering iron or other similar tool is used for assembly, be sure to earth it.
- 2) When installing the module and ICs, do not bend or twist them. Failure to do so may crack LC element and cause circuit failure.
- 3) To protect LC element, especially polarizing plate, use a transparent protective plate (e.g., acrylic plate, glass etc) for the product case.
- 4) Do not use an adhesive like a both-side adhesive tape to make LCD surface (polarizing plate) and product case stick together. Failure to do so may cause the polarizing plate to peel off.

### **10.3 Storage precautions**

- 1) Avoid a high temperature and humidity area. Keep the temperature between 0°C and 35°C and also the humidity under 60%.
- 2) Choose the dark spaces where the product is not exposed to direct sunlight or fluorescent light.
- 3) Store the products as they are put in the boxes provided from us or in the same conditions as we recommend.

### **10.4 Operating precautions**

- 1) Do not boost the applied drive voltage abnormally. Failure to do so may break ICs. When applying power voltage, check the electrical features beforehand and be careful. Always turn off the power to the LC module controller before removing or inserting the LC module input connector. If the input connector is removed or inserted while the power is turned on, the LC module internal circuit may break.
- 2) The display response may be late if the operating temperature is under the normal standard, and the display may be out of order if it is above the normal standard. But this is not a failure; this will be restored if it is within the normal standard.
- 3) The LCD contrast varies depending on the visual angle, ambient temperature, power voltage etc. Obtain the optimum contrast by adjusting the LC drive voltage.
- 4) When carrying out the test, do not take the module out of the low-temperature space suddenly. Failure to do so will cause the module condensing, leading to malfunctions.
- 5) Make certain that each signal noise level is within the standard (L level: 0.2V<sub>dd</sub> or less and H level: 0.8V<sub>dd</sub> or more) even if the module has functioned properly. If it is beyond the standard, the module may often malfunction. In addition, always connect the module when making noise level measurements.
- 6) The CMOS ICs are incorporated in the module and the pull-up and pull-down function is not adopted for the input so avoid putting the input signal open while the power is ON.
- 7) The characteristic of the semiconductor element changes when it is exposed to light emissions, therefore ICs on the LCD may malfunction if they receive light emissions. To prevent these malfunctions, design and assemble ICs so that they are shielded from light emissions.
- 8) Crosstalk occurs because of characteristics of the LCD. In general, crosstalk occurs when the regularized display is maintained. Also, crosstalk is affected by the LC drive voltage. Design the contents of the display, considering crosstalk.

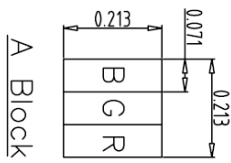
### **10.5 Other**

- 1) Do not disassemble or take the LC module into pieces. The LC modules once disassembled or taken into pieces are not the guarantee articles.
- 2) The residual image may exist if the same display pattern is shown for hours. This residual image, however, disappears when another display pattern is shown or the drive is interrupted and left for a while. But this is not a problem on reliability.
- 3) AMIPRE will provide one year warranty for all products and three months warrantee for all repairing products.





REV	REVISION RECORD	DATE NAME
0	NEW RELEASE	06-04-10 SNOW
1	Added Tape (7.0x15.5)	06-12-10 SNOW



CN2

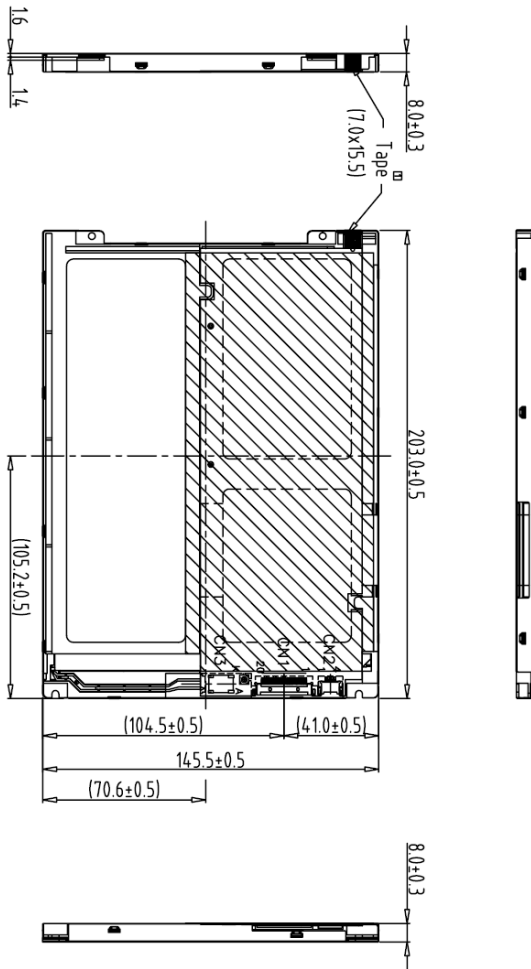
1	VCC
2	GND
3	ENABLE
4	DIMMING

CN1

1	VDD	11	RXIN3-
2	VDD	12	RXIN3+
3	UD	13	GND
4	LR	14	RXCLKIN-
5	RXIN1-	15	RXCLKIN+
6	RXIN1+	16	GND
7	GND	17	NC
8	RXIN2-	18	NC
9	RXIN2+	19	NC
10	GND	20	NC

Note:

1. Unless indicated, Tolerance Grade "B" is adopted.
2. UV Glue For OLB Protection.
3. LCD 800x600 (R:G:B) TFT LCD =>800600M 8.4" TFT LCD
4. CN1: STM MSB24013P20HA or Equivalent, Mating Connector: STM P24013P20 or Equivalent
5. CN2: ENTERY 3808K-F04N-03L or Equivalent, Mating Connector: ENTERY H208K-P04N-02B or Equivalent



Back View

	TOLERANCE GRADE(±)	A	B	DIM.	MM	DWN.	SNOW	DATE	DATE	TITLE
1	~6	0.05	0.1					06-04-10		800600M3
2	6~18	0.08	0.18					DATE		(8.4")
3	18~50	0.1	0.25					DATE		
4	50~180	0.2	0.4					DATE		
5	180~	0.3	0.5					DATE		
6										


**INTELLIGENT DISPLAY SOLUTIONS**  

**晶采光电科技**

DWG. NO.	*100616MA
SHEET 1 OF 1	