

Versatile HDMI Plug to Socket Adaptor

pro-SIGNAL

RoHS
Compliant



Description

Versatile HDMI plug to socket adaptor with hinge and rotating socket design, ideal for installations with limited space and prevents HDMI cables from being bent out of shape.

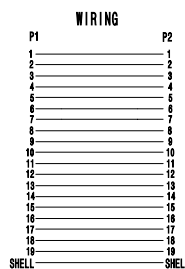
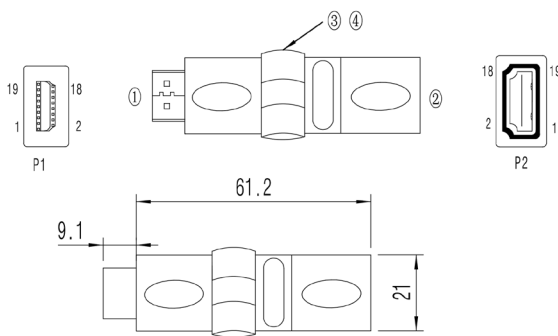
Features

- 360° Rotating socket and hinge for flexible installation options
- Gold plated contacts

Specifications

Inter Series Connector A	: HDMI
Convert From Positions	: 1 Ways
Convert From Gender	: Plug
Inter Series Connector B	: HDMI
Convert To Positions	: 1 Ways
Convert To Gender	: Receptacle
Conductive Resistance	: 5Ω
Insulation Resistance	: 5MΩ at 300V DC

Diagram



1	HDMI Male Gold Plating
2	HDMI Female Gold Plating
3	Electronic Wire
4	ABS shell

Part Number Table

Description	Part Number
Versatile HDMI plug to 360° Rotating socket adapter	PSG91381

Dimensions : Millimetres

Important Notice : This data sheet and its contents (the "Information") belong to the members of the AVNET group of companies (the "Group") or are licensed to it. No licence is granted for the use of it other than for information purposes in connection with the products to which it relates. No licence of any intellectual property rights is granted. The Information is subject to change without notice and replaces all data sheets previously supplied. The Information supplied is believed to be accurate but the Group assumes no responsibility for its accuracy or completeness, any error in or omission from it or for any use made of it. Users of this data sheet should check for themselves the Information and the suitability of the products for their purpose and not make any assumptions based on information included or omitted. Liability for loss or damage resulting from any reliance on the Information or use of it (including liability resulting from negligence or where the Group was aware of the possibility of such loss or damage arising) is excluded. This will not operate to limit or restrict the Group's liability for death or personal injury resulting from its negligence. pro-SIGNAL is the registered trademark of Premier Farnell Limited 2019.

Newark.com/exclusive-brands
Farnell.com/exclusive-brands
Element14.com/exclusive-brands

pro-SIGNAL