

Hi-Force®

HSS - SINGLE ACTING MULTI-PURPOSE CYLINDERS

B




Capacities from 4.5 to 109 tonnes

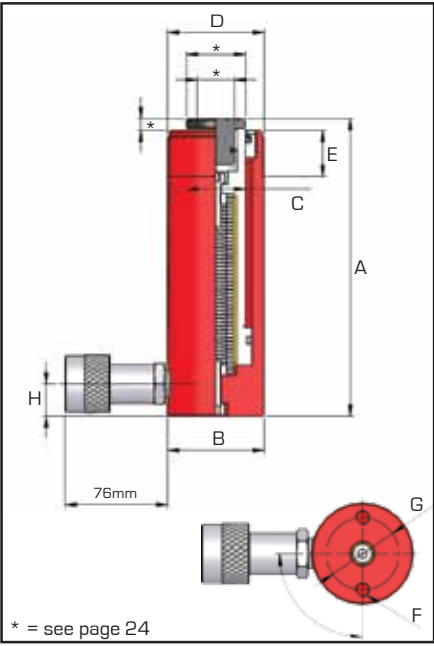
Stroke lengths from 25 to 457mm

Working pressure 700 Bar

The HSS single acting multi-purpose cylinder range offers the widest choice of stroke lengths and lifting capacities available, and provides an excellent choice for maintenance, production, fabrication and construction applications. All models are provided with a collar thread and thread protector, cylinder base and piston rod mountings for easy fixturing, making the HSS range the most versatile and adaptable multi-purpose cylinders available. Major user industries include power generation, railways, steelworks, mining, shipyards and oil & gas.

- >> Spring assisted return
- >> Nitrocarburised piston rod
- >> Low friction bearing surfaces
- >> Anti-extrusion seals
- >> Collar threads withstand full load
- >> Piston rod thread on all models up to 30t
- >> Base mounting holes on all models (except HSS308)
- >> Optional piston rod saddles (see page 25)
- >> Collar thread protector supplied as standard
- >> Lightweight aluminium alternatives available (see page 16)

 Lightweight aluminium alternatives available (see page 16)



Model number	Capacity tonnes	Stroke mm	Oil cap. cm ³	Cyl. eff. area cm ²	Weight kg
HSS51	4.5	25	16	6.4	1.0
HSS52	4.5	50	32	6.4	1.2
HSS53	4.5	75	48	6.4	1.4
HSS54	4.5	100	64	6.4	1.5
HSS55	4.5	125	80	6.4	1.8
HSS57	4.5	176	113	6.4	2.0
HSS59	4.5	227	146	6.4	2.4
HSS101	10	25	36	14.4	1.8
HSS102	10	56	81	14.4	2.4
HSS104	10	100	144	14.4	3.0
HSS106	10	150	217	14.4	4.2
HSS108	10	206	297	14.4	5.0
HSS1010	10	250	361	14.4	5.4
HSS1012	10	305	440	14.4	6.2

Dimensions in mm (unless otherwise stated)							
A	B	C	D	E	F	G	H
107	38	24	1 1/2"-16un	28	M6	25	19
132	38	24	1 1/2"-16un	28	M6	25	19
157	38	24	1 1/2"-16un	28	M6	25	19
182	38	24	1 1/2"-16un	28	M6	25	19
207	38	24	1 1/2"-16un	28	M6	25	19
258	38	24	1 1/2"-16un	28	M6	25	19
308	38	24	1 1/2"-16un	28	M6	25	19
100	57	35	2 1/4"-14un	27	M8	40	19
131	57	35	2 1/4"-14un	27	M8	40	19
175	57	35	2 1/4"-14un	27	M8	40	19
225	57	35	2 1/4"-14un	27	M8	40	19
281	57	35	2 1/4"-14un	27	M8	40	19
325	57	35	2 1/4"-14un	27	M8	40	19
379	57	35	2 1/4"-14un	27	M8	40	16