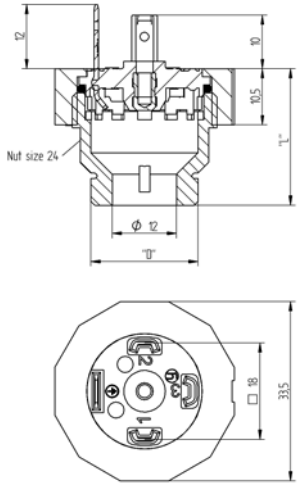
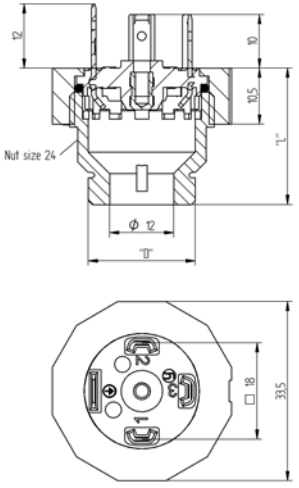


GDM Series Round Receptacle Connectors, Type A

Technical Information

Product Description		
Order Designation	GSP 2XX XXX	GSP 3XX XXX
		
Description	Male appliance connector with connecting thread, grip ring, O-ring (NBR)	Male appliance connector with connecting thread, grip ring, O-ring (NBR)
RoHS-Compliant (2011/65/EU)	Yes	
(Construction Type) Standard	DIN EN 175 301-803-A	
Approvals	VDE, SEV	
Technical Data		
No. of Pins	2 + PE	3 + PE
Ambient Temperature	-40 °C to +125 °C	
Housing/Grip/Screw Coupling	PA	
Contact Holder	PA	
Contact	SN	
Mechanical Data		
Degree of Protection	IP65 (gasket required, only when plugged in, only when mated with Hirschmann/Lumberg counterparts)	
Terminal Type	Solder	
Electrical Data		
Circuit	No protection circuit	
Contact Resistance	≤ 4 mΩ	
Rated Voltage	400 V AC/DC	
Rated Current	16 A	
Pollution Degree	3	
Accessories		
Scope of Delivery or Accessories (incl.)	Items supplied in one package: 200	
Accessories to be Ordered Separately	-	

Technical Drawing																																		
 <table border="1"> <thead> <tr> <th>Typ / type</th> <th>Gewinde / thread "D"</th> <th>Länge / length "L"</th> </tr> </thead> <tbody> <tr> <td>GSP 211 PG11 ...</td> <td>PG 11</td> <td>ca. 25,5 mm</td> </tr> <tr> <td>GSP 212 1/2" NPTF ...</td> <td>1/2" NPTF</td> <td>ca. 34,0 mm</td> </tr> <tr> <td>GSP 213 PG13,5 ...</td> <td>PG 13,5</td> <td>ca. 25,5 mm</td> </tr> <tr> <td>GSP 2 M20 ...</td> <td>M 20</td> <td>ca. 25,5 mm</td> </tr> </tbody> </table>	Typ / type	Gewinde / thread "D"	Länge / length "L"	GSP 211 PG11 ...	PG 11	ca. 25,5 mm	GSP 212 1/2" NPTF ...	1/2" NPTF	ca. 34,0 mm	GSP 213 PG13,5 ...	PG 13,5	ca. 25,5 mm	GSP 2 M20 ...	M 20	ca. 25,5 mm	 <table border="1"> <thead> <tr> <th>Typ / type</th> <th>Gewinde / thread "D"</th> <th>Länge / length "L"</th> </tr> </thead> <tbody> <tr> <td>GSP 311 PG11 ...</td> <td>PG 11</td> <td>ca. 25,5 mm</td> </tr> <tr> <td>GSP 312 1/2" NPTF ...</td> <td>1/2" NPTF</td> <td>ca. 34,0 mm</td> </tr> <tr> <td>GSP 313 PG13,5 ...</td> <td>PG 13,5</td> <td>ca. 25,5 mm</td> </tr> <tr> <td>GSP 316 PG16 ...</td> <td>PG 16</td> <td>ca. 25,5 mm</td> </tr> <tr> <td>GSP 3 M20 ...</td> <td>M 20</td> <td>ca. 25,5 mm</td> </tr> </tbody> </table>	Typ / type	Gewinde / thread "D"	Länge / length "L"	GSP 311 PG11 ...	PG 11	ca. 25,5 mm	GSP 312 1/2" NPTF ...	1/2" NPTF	ca. 34,0 mm	GSP 313 PG13,5 ...	PG 13,5	ca. 25,5 mm	GSP 316 PG16 ...	PG 16	ca. 25,5 mm	GSP 3 M20 ...	M 20	ca. 25,5 mm
Typ / type	Gewinde / thread "D"	Länge / length "L"																																
GSP 211 PG11 ...	PG 11	ca. 25,5 mm																																
GSP 212 1/2" NPTF ...	1/2" NPTF	ca. 34,0 mm																																
GSP 213 PG13,5 ...	PG 13,5	ca. 25,5 mm																																
GSP 2 M20 ...	M 20	ca. 25,5 mm																																
Typ / type	Gewinde / thread "D"	Länge / length "L"																																
GSP 311 PG11 ...	PG 11	ca. 25,5 mm																																
GSP 312 1/2" NPTF ...	1/2" NPTF	ca. 34,0 mm																																
GSP 313 PG13,5 ...	PG 13,5	ca. 25,5 mm																																
GSP 316 PG16 ...	PG 16	ca. 25,5 mm																																
GSP 3 M20 ...	M 20	ca. 25,5 mm																																

Be Certain with Belden

Order Information

Order No.	Order Designation	No. of Pins	Terminal Type	Cable Gland
931298001	GSP 211 PG11 black	2 + PE	solder	PG11
931298004	GSP 212 1/2" NPTF black	2 + PE	solder	1/2" NPTF
931298003	GSP 213 PG13.5 black	2 + PE	solder	PG13.5
931298006	GSP 2 M20 black	2 + PE	solder	M20
931297001	GSP 311 PG11 black	3 + PE	solder	PG11
931297004	GSP 312 1/2" NPTF black	3 + PE	solder	1/2" NPTF
931297003	GSP 313 PG13.5 black	3 + PE	solder	PG13.5
931297002	GSP 316 PG16 black	3 + PE	solder	PG16
931297006	GSP 3 M20 black	3 + PE	solder	M20