



Mini LED Arcade Button - 24mm Translucent Clear

PRODUCT ID: 3429

27 IN STOCK

1

ADD TO CART

1-9

10-99

100+

ADD TO WISHLIST

[DESCRIPTION](#)[TECHNICAL DETAILS](#)[LEARN](#)

DESCRIPTION

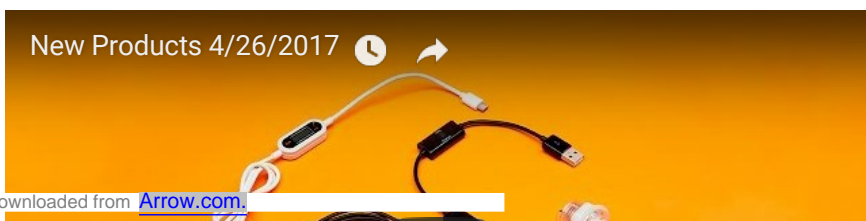
A button is a button, and a switch is a switch, but these translucent arcade buttons are in a class of their own. Particularly because they have **LEDs built right in!** That's right, you'll be button-mashing amidst a wash of beautiful light with these lil' guys. They're the same size as common miniature arcade controls, and require a 24mm diameter hole for mounting. Thus they are sometimes referred to as 24mm diameter.

The buttons screw in place, so you can use with up to ~15mm thick material, and will cover up if the hole if it isn't perfectly round and clean. The action is smooth, without a strong click, yet you can definitely feel when the button is pressed. A tiny micro-switch is pre-installed, with gold plated contacts.

Even unlit, they look fantastic: all of the colors have a crystal translucent glossy look. As noted they have two surface mount LEDs with resistors built in, buried in the button body. Next to the switch contacts are two additional contacts for powering/controlling the LEDs. The two LEDs are connected in *parallel* with ~1K resistors each, so you can power the LED from a microcontroller pin or direct from 5V (say USB) with 10mA draw. You can go down to 3.3V power, only 2mA per button, but they'll be dimmer.

This is the **Translucent Clear** version of our [Mini 24mm LED arcade buttons](#).

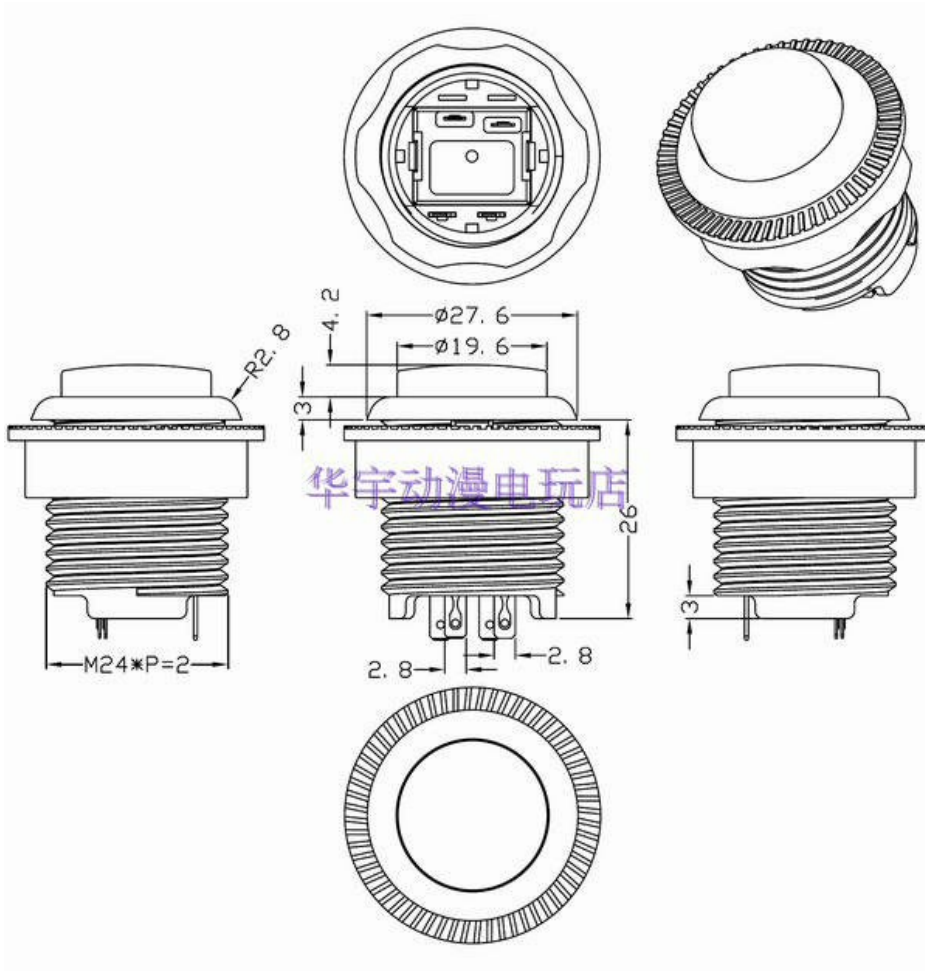
New Products 4/26/2017





TECHNICAL DETAILS

- Supply Voltage: 5V @ 10mA
- Weight: 10.3g



[Datasheet](#)

LEARN



[Arcade Button Control Box](#)
Circuit Python Keyboard emulation



[Arcade Bonnet Controller](#)
Raspberry Pi Retro Arcade

3D Printed Google AIY Voice Kit

3D Print an enclosure for the Google AIY Voice Kit



Automatic Dice Roller

Make a motorized dice roller!



MAY WE ALSO SUGGEST...



Mini LED Arcade Button -



Pimoroni Picade HAT for



Arcade Button - 30mm



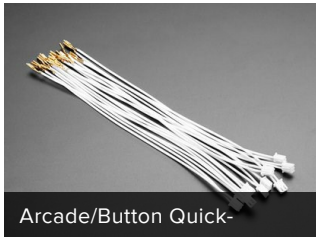
Mini LED Arcade Button -



Adafruit Arcade Bonnet for



Arcade Button - 30mm



Arcade/Button Quick-



Arcade Button - 30mm



LED Illuminated Pushbutton



Arcade Button - 30mm



Mini LED Arcade Button -



Small Arcade Joystick

DISTRIBUTORS [EXPAND TO SEE DISTRIBUTORS](#)

[CONTACT](#)

[SUPPORT](#)

[DISTRIBUTORS](#)

[EDUCATORS](#)

[JOBS](#)

Downloaded from Arrow.com

[FAQ](#)

[SHIPPING & RETURNS](#)

[TERMS OF SERVICE](#)

[PRIVACY & LEGAL](#)

[ABOUT US](#)

ENGINEERED IN NYC Adafruit®



4.9 ★★★★★
Google
Customer Reviews