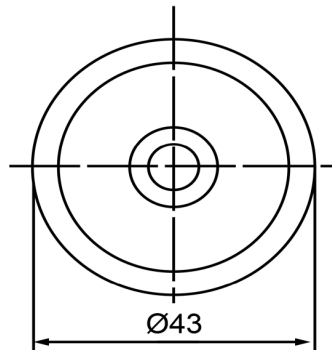
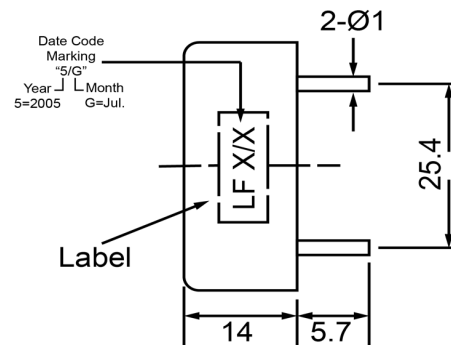




TOP VIEW



SIDE VIEW



Specifications			Notes	Revision History							
Description	Value	Unit		Version	Description		Date	Approved			
Technology	Piezo		1) All dimensions are in mm unless otherwise noted 2) All parts meet RoHS	1	Released from Engineering		10/21/2013	J.S			
Resonant Frequency	2,800	(Hz)									
Rated Voltage	12	(V)									
SPL @ 10cm	110	(dBA)									
Tone	Single										
Mount Type	Thru-hole										
Voltage Range	3 ~ 20	(V)									
Max Rated Current	12	(mA)									
Housing Material	ABS										
Operating Temperature	-20 ~ +60	°C									
Storage Temperature	-20 ~ +60	°C									
Weight	11	(g)									
 <b>DB UNLIMITED</b>			 <b>Piezo Indicator</b>			<b>IP432812-1</b>					

Additional considerations can be found at [www.dbunlimitedco.com/technical-articles](http://www.dbunlimitedco.com/technical-articles).