






## Cable Plug Form A

- Versions with protective circuits with and without LED
- Easy connection and reliable contacting
- Approval UR and CSA (depending on version)
- Available with and without cable

Product variants described in the data sheet may differ from the product presentation and description.

### Can be combined with

	<b>Type 6013</b> Plunger valve 2/2 way direct-acting	▶
	<b>Type 0330</b> Direct-acting 2/2 or 3/2 way pivoted armature valve	▶
	<b>Type 6213</b> Servo-assisted 2/2 way diaphragm valve	▶

### Type description

Plug for the connection of electrical components according to DIN EN 175301-803 (previously DIN 43650, Form A). Type 2518 offers easy connection of cables as well as reliable contacting. A wide range protective circuits with and without LED are available.

## Table of contents

<b>1. General technical data</b>	<b>3</b>
<hr/>	
<b>2. Materials</b>	<b>4</b>
2.1. Chemical Resistance Chart – Bürkert resistApp.....	4
2.2. Version with UR-Approval, angled.....	4
2.3. Version without UR-Approval, angled.....	4
<hr/>	
<b>3. Dimensions</b>	<b>5</b>
3.1. Moulded version .....	5
Note on the length tolerances:.....	5
3.2. Angled version .....	6
<hr/>	
<b>4. Performance specifications</b>	<b>7</b>
4.1. Derating diagram .....	7
Versions without circuit, 2- and 3-poles .....	7
Versions without circuit, 2- and 3-poles, moulded .....	7
Versions with LED or Varistor or LED and Varistor, angled.....	8
Versions with LED or Varistor or LED and Varistor, moulded .....	8
Versions with rectifier, Varistor with and without LED, angled.....	9
Versions with rectifier, Varistor with and without LED, moulded.....	9
Versions with pole protection, free wheeling diode with and without LED, angled .....	10
Versions with pole protection, free wheeling diode with and without LED, moulded.....	10
<hr/>	
<b>5. Ordering information</b>	<b>11</b>
5.1. Bürkert eShop – Easy ordering and quick delivery.....	11
5.2. Bürkert product filter.....	11
5.3. Ordering chart.....	12

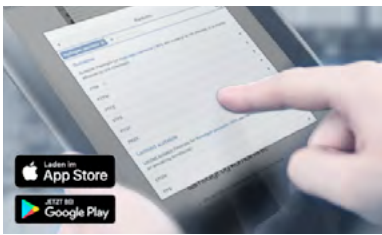
DTS 1000386347 EN Version: - Status: RL (released | freigegeben | validé) printed: 02.04.2019

## 1. General technical data

Product properties	Angled (without cable)	Moulded (with cable)
<b>Materials</b>		
Cover	Polyamide	–
Contact material	Brass	Brass
Seal materials	NBR	TPU, moulded
Cable	–	PUR
Cable outlet	Can be rotated through 4x90°	–
Cable gland	M16x1.5 angled variants	–
Transition resistance	≤ 10 mΩ Standard	≤ 10 mΩ Standard
Pole number	2+PE	–
<b>Electrical data</b>		
Nominal voltage	Yes – according to version Detailed information can be found in chapter “5. Ordering information” on page 11.	Yes – according to version Detailed information can be found in chapter “5. Ordering information” on page 11.
<b>Performance data</b>		
Operating display	Yellow LED, if available	Yellow LED, if available
<b>Medium data</b>		
Continuous limit temperature	-30 °C...+90 °C	-40 °C...+105 °C
<b>Approvals and Certificates</b>		
Protection class	IP65, IP67	IP65, IP67
UL	All versions with clamping ring	–
VDE	All versions except pole protection and free-wheeling diode with or without LED	All versions except pole protection and free-wheeling diode with or without LED
<b>Product connections</b>		
Connection type	Screw terminal	–
Electrical connection	Tag connectors acc. DIN EN 175301 – 803 form A	Tag connectors acc. DIN EN 175301 – 803 form A
Plug cycles	Max. 50	Max. 50
Suitable cables	Ø6.0...Ø8.0 mm, 0.205...1.5mm <sup>2</sup>	–
Conductor size	0.25 mm <sup>2</sup> ...1.5 mm <sup>2</sup>	0.75 mm <sup>2</sup>

## 2. Materials

### 2.1. Chemical Resistance Chart – Bürkert resistApp

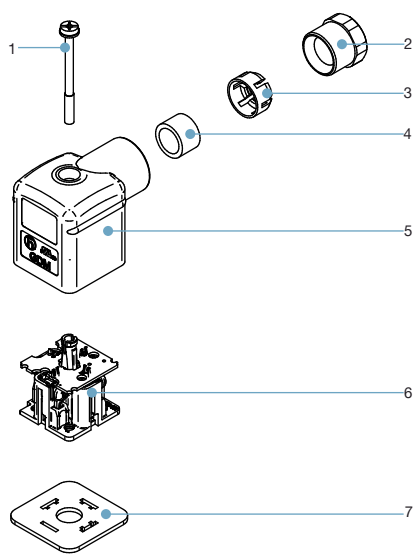


**Bürkert resistApp – Chemical Resistance Chart**

You want to ensure the reliability and durability of the materials in your individual application case? Verify your combination of media and materials on our website or in our resistApp.

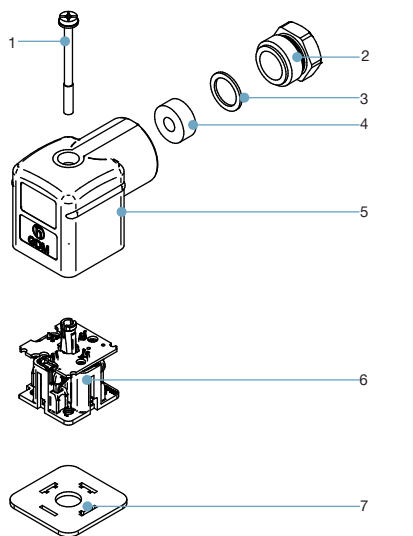
[Start Chemical Resistance Check](#)

### 2.2. Version with UR-Approval, angled



No.	Element	Material
1	Central screw	Stainless steel
2	Pressure screw	Polyamide
3	Clamping ring	-
4	Seal	-
5	Cover	Polyamide
6	Contact holder	Polyamide
7	Seal	NBR

### 2.3. Version without UR-Approval, angled



No.	Element	Material
1	Central screw	Steel, galvanized
2	Pressure screw	Polyamide
3	Pressure ring	-
4	Seal	-
5	Cover	Polyamide
6	Contact holder	Polyamide
7	Seal	NBR

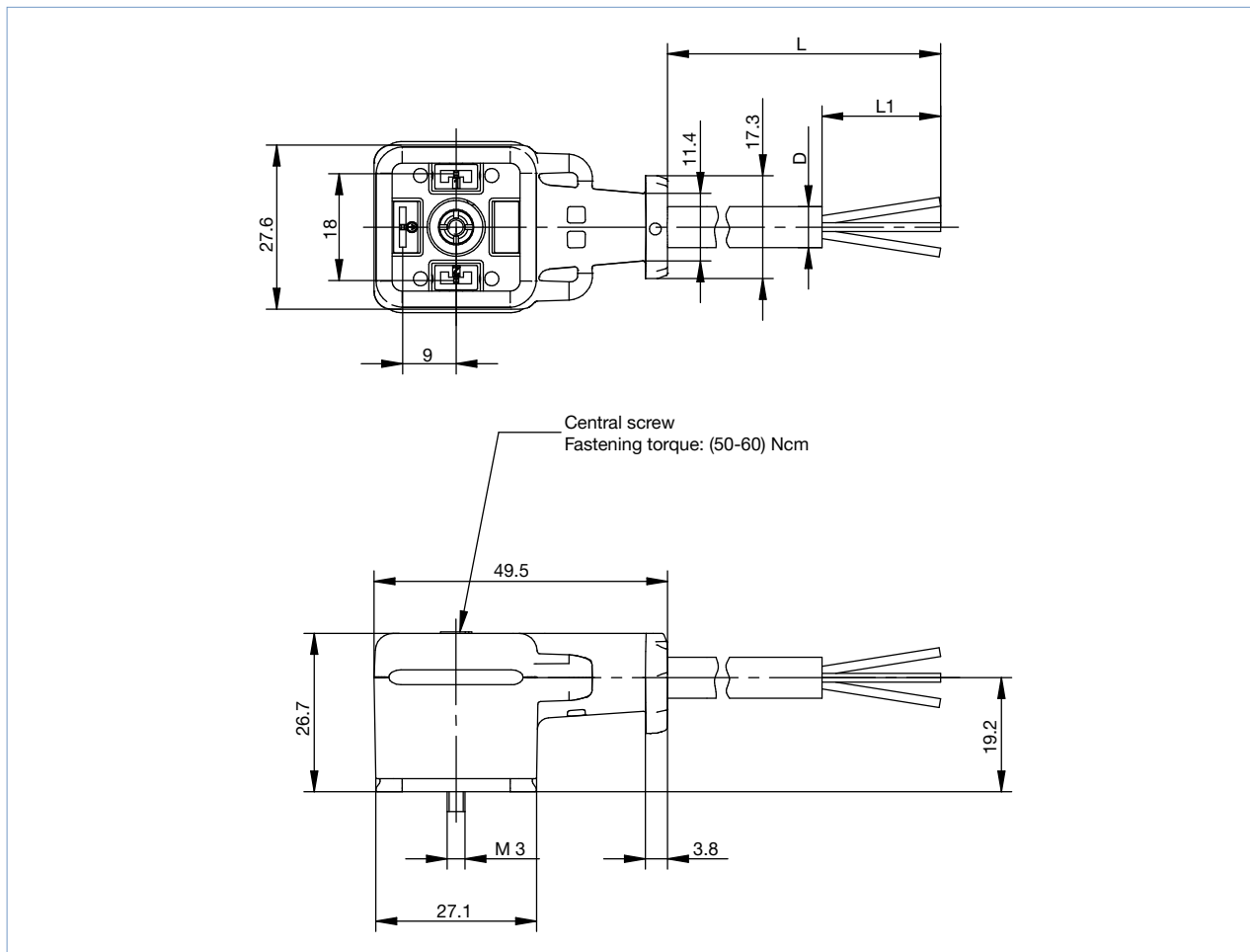
DTS 1000386347 EN Version: - Status: RL (released | freigegeben | valide) printed: 02.04.2019

### 3. Dimensions

#### 3.1. Moulded version

**Note:**

Dimensions in mm



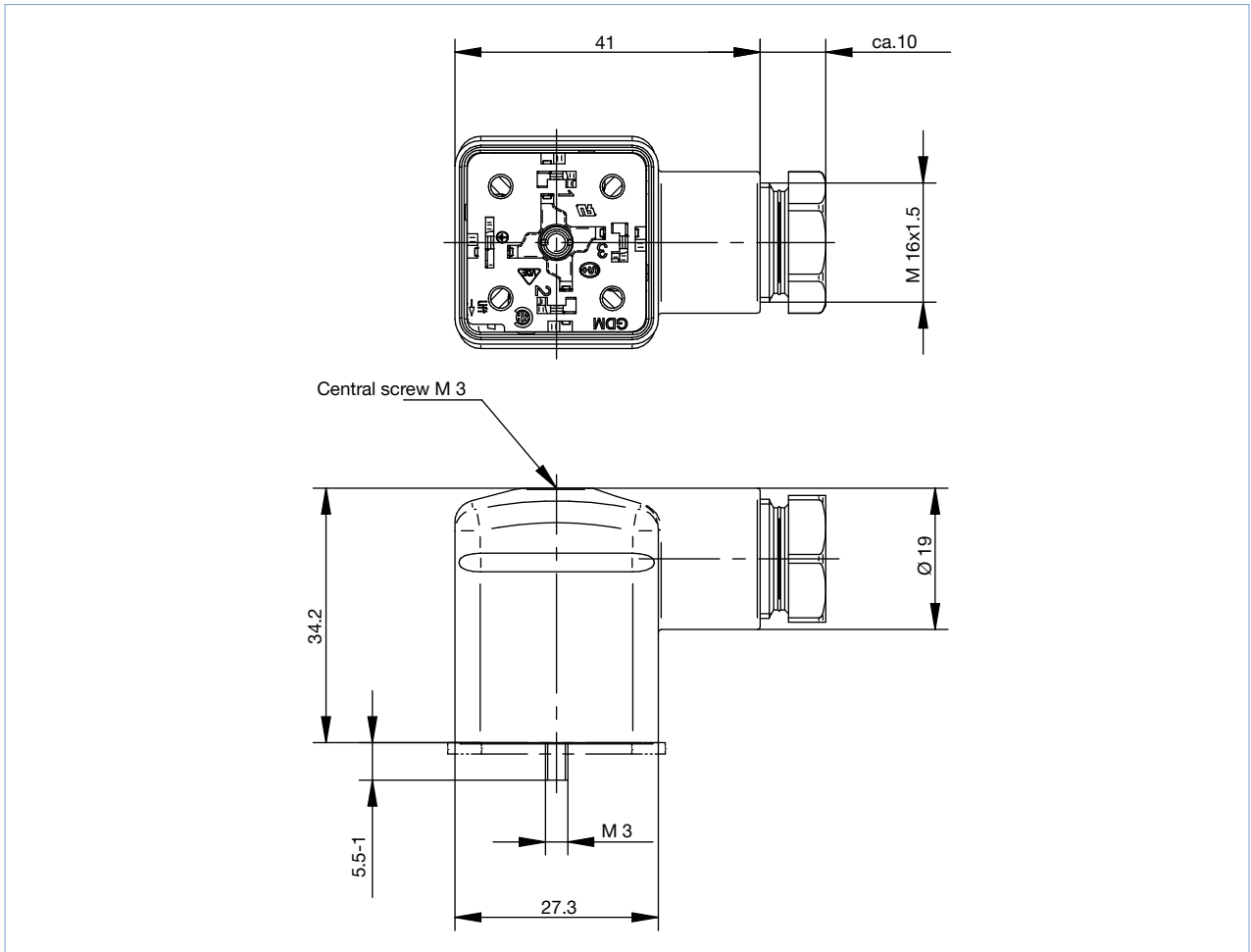
**Note on the length tolerances:**

Cable length prefabricated part		Stripping length
L	Tolerances of L	L1
< 1m	- 10/+20	60 ± 1
< 1...2m	-20/+50	60 ± 1
> 2...5m	-40/+70	60 ± 1
> 5...10m	-90/+120	60 ± 1
> 10m	-120/+140	60 ± 1

### 3.2. Angled version

**Note:**

Dimensions in mm

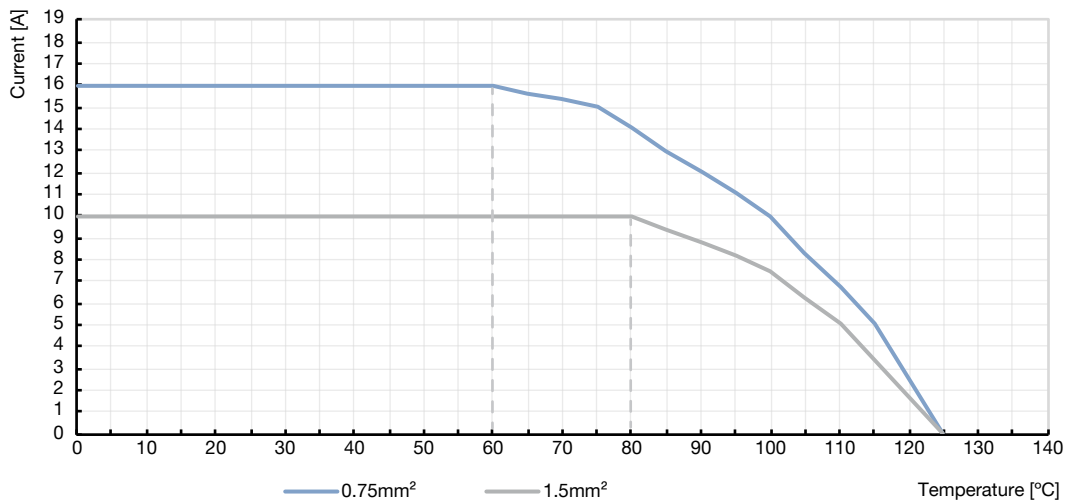


## 4. Performance specifications

### 4.1. Derating diagram

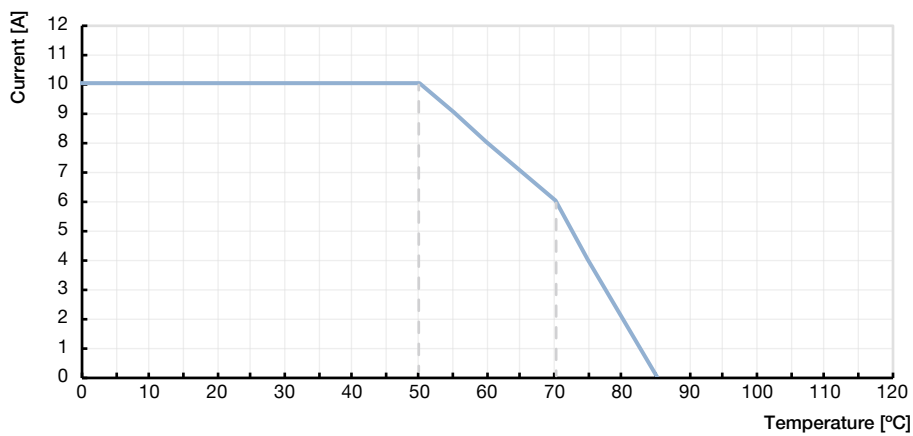
Versions without circuit, 2- and 3-poles

Derating DIN EN 175301-803



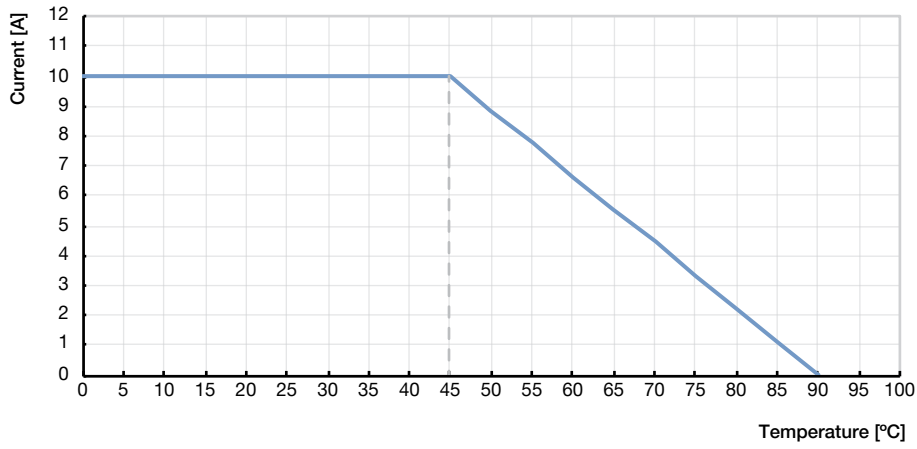
Versions without circuit, 2- and 3-poles, moulded

Derating DIN EN 60512-5-2



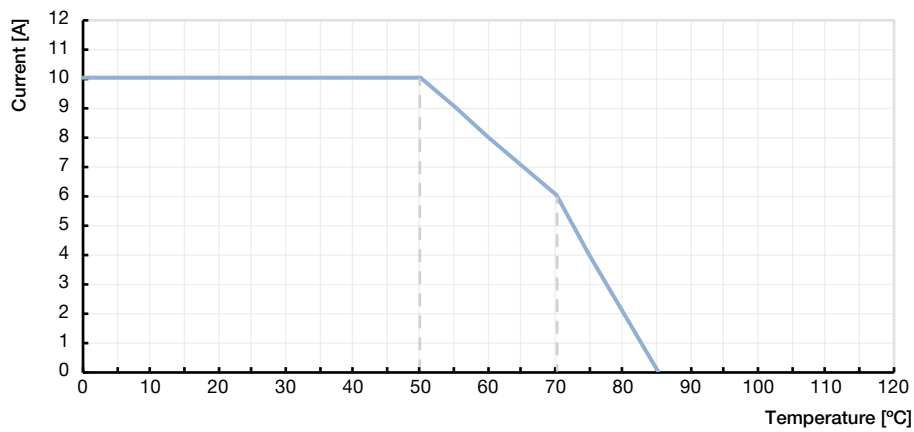
Versions with LED or varistor or LED and varistor, angled

Derating - LED, LED and varistor



Versions with LED or varistor or LED and varistor, moulded

Derating DIN EN 60512-5-2

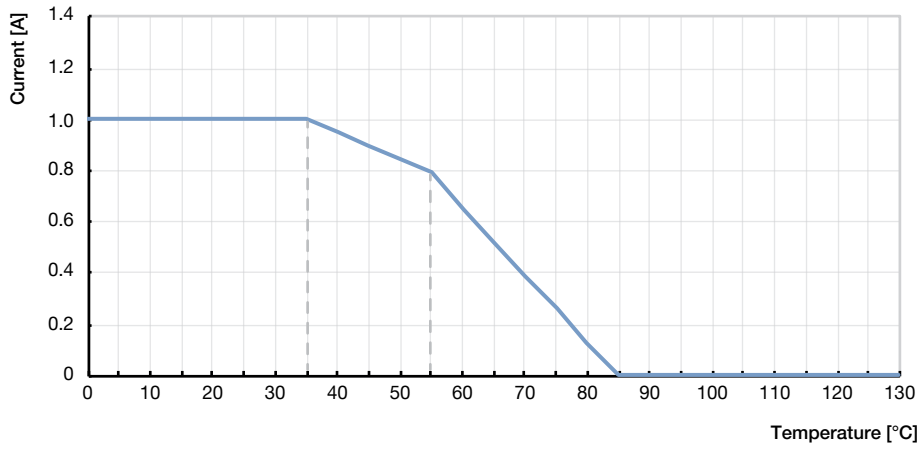


DTS 1000386347 EN Version: - Status: RL (released | freigegeben | validé) printed: 02.04.2019



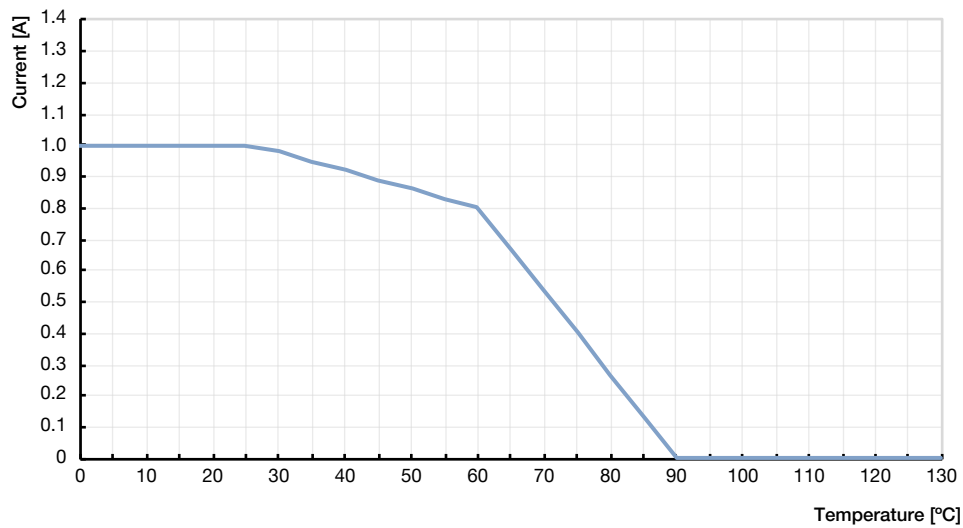
Versions with rectifier, varistor with and without LED, angled

Derating DIN EN 60512-5-2



Versions with rectifier, varistor with and without LED, moulded

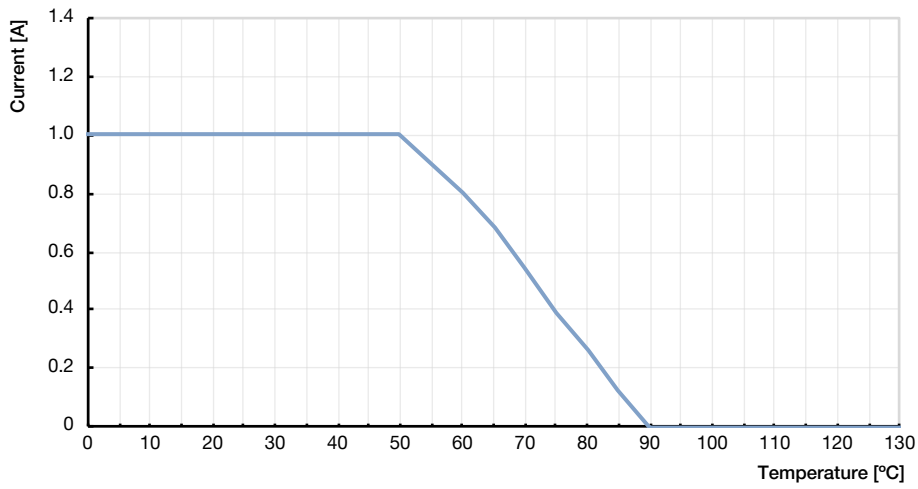
Derating DIN EN 60512-5-2



DTS 1000386347 EN Version: - Status: RL (released | freigegeben | validé) printed: 02.04.2019

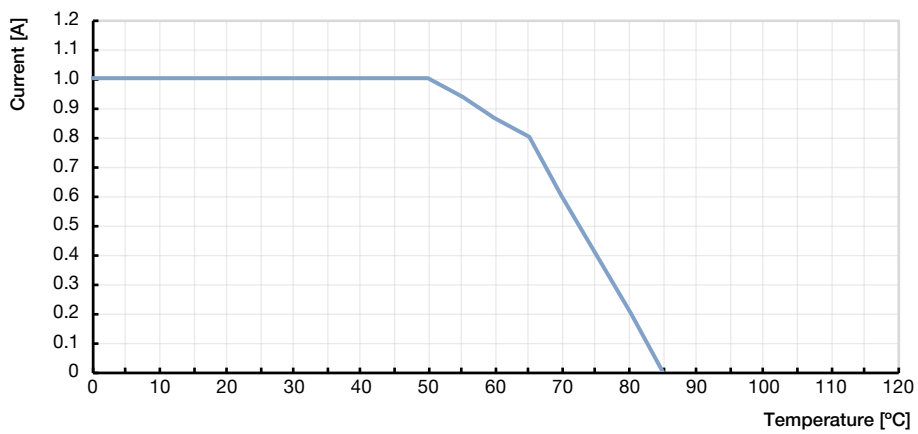
Versions with pole protection, free wheeling diode with and without LED, angled

Derating DIN EN 60512-5-2



Versions with pole protection, free wheeling diode with and without LED, moulded


Derating DIN EN 60512-5-2



DTS 1000386347 EN Version: - Status: RL (released | freigegeben | validé) printed: 02.04.2019

## 5. Ordering information

### 5.1. Bürkert eShop – Easy ordering and quick delivery

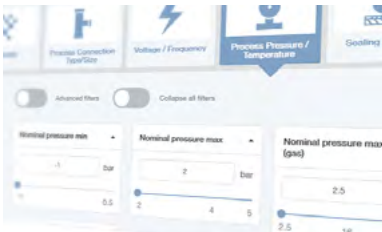


**Bürkert eShop – Easy ordering and fast delivery**

You want to find your desired Bürkert product or spare part quickly and order directly? Our online shop is available for you 24/7. Sign up and enjoy all the benefits.

[Order online now](#)

### 5.2. Bürkert product filter

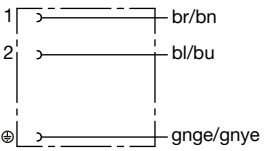
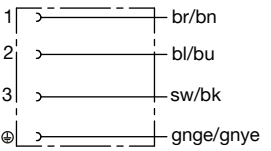
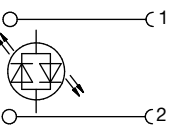
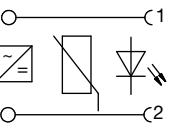


**Bürkert product filter – Get quickly to the right product**

You want to select products comfortably based on your technical requirements? Use the Bürkert product filter and find suitable articles for your application quickly and easily.

[Try out our product filter](#)

### 5.3. Ordering chart

Circuitry	Voltage and version	Continuous current	Article no. acc. to voltage/frequency [V/Hz]			
			Without cable	With 1 m cable	With 3 m cable	With 5 m cable
<b>Without circuit</b>						
	0...250 V AC/DC	16 A 10 A (VDE, UL) 8 A (CSA)	314802	314806	314807	314808
<b>Without circuit, 3-pins, protective earth conductor</b>						
	0...250 V AC/DC	16 A 10 A (VDE)	315329	314809	314810	314811
<b>With LED</b>						
	12...24 V AC/DC	10 A	314812	314813	314814	314815
	100...120 V AC/DC	10 A	315330	315331	315332	315333
	200...240 V AC/DC	10 A	315334	315335	315336	315337
<b>With Rectifier, LED and varistor</b>						
	12...24 V AC/DC	1 A	314816	314817	314818	314819
	100...120 V AC/DC	1 A	315338	315339	315340	315341
	200...240 V AC/DC	1 A	315342	315343	315344	315345

Circuitry	Voltage and version	Continuous current	Article no. acc. to voltage/frequency [V/Hz]			
			Without cable	With 1 m cable	With 3 m cable	With 5 m cable
<b>With LED and varistor</b>						
	12...24 V AC/DC	10 A	314820	314821	314822	314824
	100...120 V AC/DC	10 A	315346	315347	315348	314349
	200...240 V AC/DC	10 A	314825	315350	315351	315352
<b>With varistor</b>						
	12...24 V AC/DC	10 A	314826	314827	314828	314829
	200...240 V AC/DC	10 A	315353	315354	315355	315356
<b>With pole protection, free wheeling diode and LED</b>						
	12...24 V AC/DC	1 A	315357	315358	314837	314838
<b>With pole protection and free wheeling diode</b>						
	12...240 V	1 A	314830	314831	314832	314833
<b>With rectifier and varistor</b>						
	220...240 V AC/DC	1 A	314839	314840	314841	314842

**Further versions on request**



**Material**

Further seal materials on request

DTS 1000386347 EN Version: - Status: RL (released | freigegeben | validé) printed: 02.04.2019

# Bürkert – Close to You

For up-to-date addresses  
please visit us at  
[www.burkert.com](http://www.burkert.com)

DTS 1000386347 EN Version: - Status: RL (released | freigegeben | validé) printed: 02.04.2019

Austria  
Belgium  
Czech Republic  
Denmark  
Finland  
France  
Germany  
Italy  
Netherlands

Norway  
Poland  
Portugal  
Spain  
Sweden  
Switzerland  
Turkey  
United Kingdom

Russia

Canada  
USA

Argentina  
Brazil  
Uruguay

South Africa

United  
Arab  
Emirates

Australia  
New Zealand

China  
Hong Kong  
India  
Japan  
Korea  
Malaysia  
Philippines  
Singapore  
Taiwan