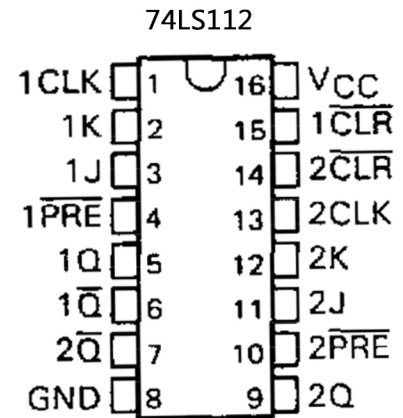


description

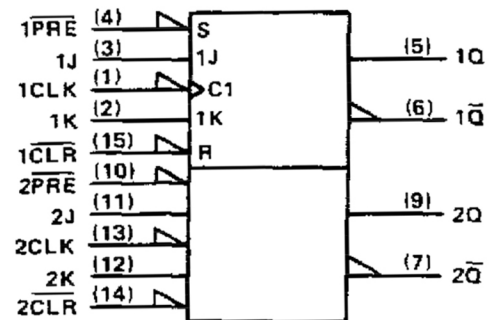
Two dvvicw contain two indepMXJent j-k neQattve~fldue*triggerverBd flip-flops. A low level at the preset and clear inputs sots or resets the outputs regsrdlesB of the tevisis of the other Inputs. When preset and dear are Inacrive (high), data at the J and K inputs meeting the setup time rcquirements are transferred to the outputs on the negative-going edge of the clock pulse. Clock triggering occurs at a vdtago tsvef and is not directly related to the rise time of the dock pulse. Following tha hold time intevval, data at the J end K inputs may be nhangHri wifhmit affpering the l»vel3 at the outputs. These vetsatile flip-flops Mn perform aa toggle flfp-tiops by tying J and K h»gh.



FUNCTION TABLE (each flip-flop)

INPUTS					OUTPUTS	
PRE	CLR	CLK	J	K	Q	Q̄
L	H	X	X	X	H	L
H	L	X	X	X	L	H
L	L	X	X	X	H↑	H↑
H	H	↓	L	L	Q ₀	Q̄ ₀
H	H	↓	H	L	H	L
H	H	↓	L	H	L	H
H	H	↓	H	H	TOGGLE	
H	H	H	X	X	Q ₀	Q̄ ₀

logic symbol ‡

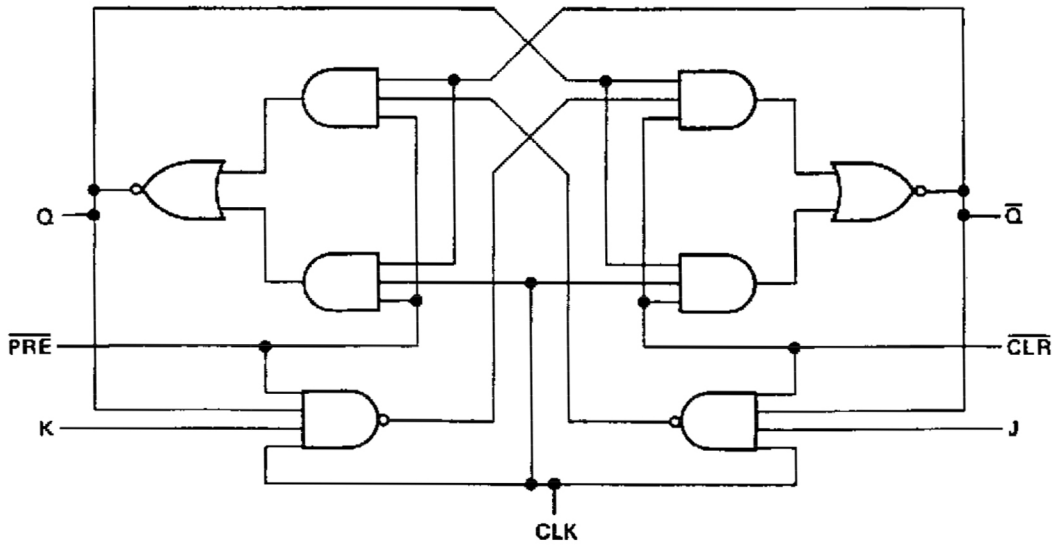


r TTW output in eonfigura^ on orv not guar*Att*d to moM tX minimum kivela for V°h If the lows *t pro&et a(id Uvm are near V|I minimum. FunhBfnionir this comigurttian » ncratwiQ; that 翊 ft WIN not perdfit wh«n either pc— or olmt rgg to its in active (high} level.

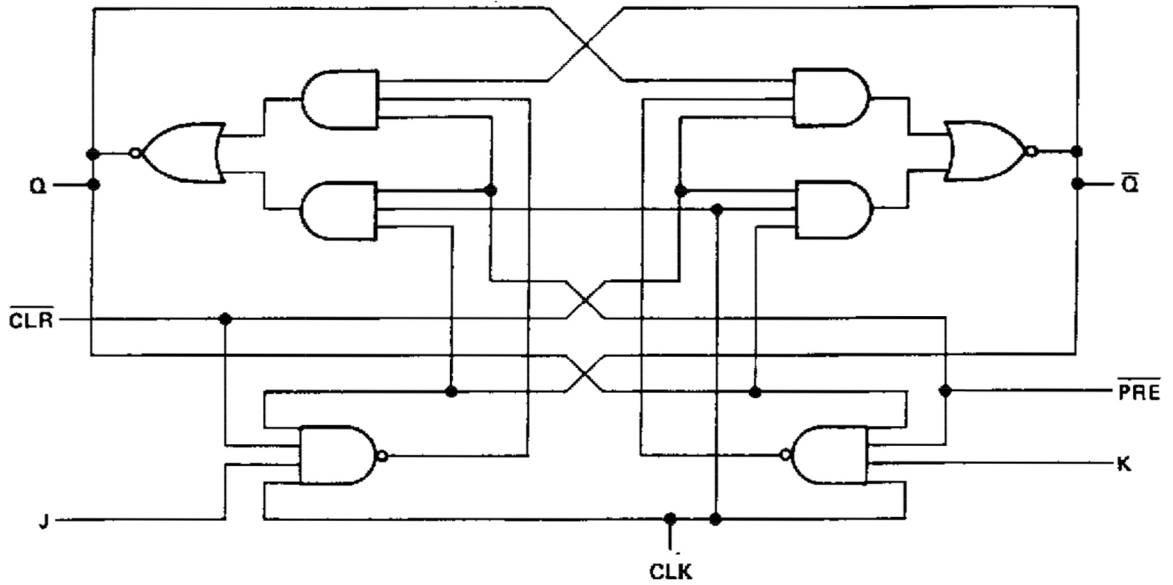
XD74LS112 DIP-16

logic diagrams (positive logic)

74LS112

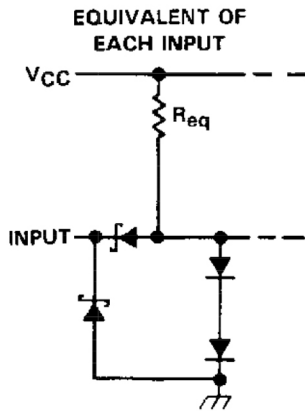


74LS112

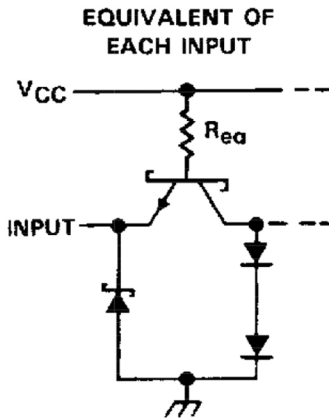
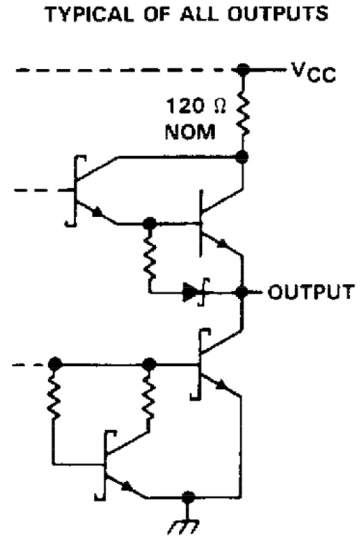


XD74LS112 DIP-16

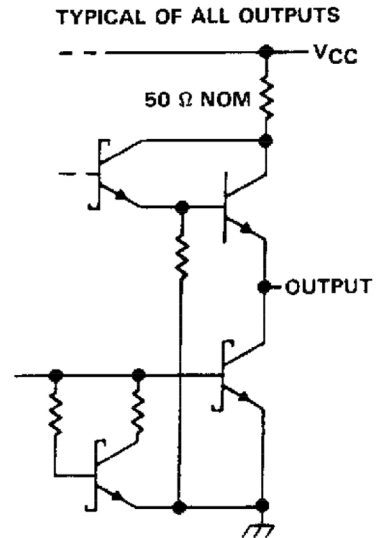
schematics of inputs and outputs



I_{IL} MAX	R_{eq} NOM
-0.4 mA	30 k Ω
-0.8 mA	8.25 k Ω



I_{IL} MAX	R_{eq} NOM
-1.6 mA	4 k Ω
-4 mA	1.4 k Ω
-7 mA	900 Ω



absolute maximum ratings over operating free-air temperature range (unless otherwise noted)

Supply voltage, V_{CC} (see Note 1)	7 V
Input voltage: 74LS112	7 V
74LS112	5.5 V
Operating free-air temperature range: 74LS112	0°C to 70°C
Storage temperature range	-65°C to 150°C

NOTE 1: Voltage values are with respect to network ground terminal.

XD74LS112 DIP-16

recommended operating conditions

		XD74LS112			UNIT
		MIN	NOM	MAX	
V _{CC}	Supply voltage	4.75	5	5.25	V
V _{IH}	High-level input voltage	2			V
V _{IL}	Low-level input voltage			0.8	V
I _{OH}	High-level output current			-0.4	mA
I _{OL}	Low-level output current			8	mA
f _{clock}	Clock frequency	0		30	MHz
t _w	Pulse duration	CLK high	20		ns
		$\overline{\text{PRE}}$ or $\overline{\text{CLR}}$ low	25		
t _{su}	Set up time-before CLK↓	Data high or low	20		ns
		CLR inactive	25		
		PRE inactive	20		
t _h	Hold time-data after CLK↓	0			ns
T _A	Operating free-air temperature	0		70	°C

electrical characteristics over recommended operating free-air temperature range (unless otherwise noted)

PARAMETER		TEST CONDITIONS†	XD74LS112			UNIT
			MIN	TYP‡	MAX	
V _{IK}		V _{CC} = MIN, I _I = -18 mA			-1.5	V
V _{OH}		V _{CC} = MIN, V _{IH} = 2 V, V _{IL} = MAX, I _{OH} = -0.4 mA	2.7	3.4		V
V _{OL}		V _{CC} = MIN, V _{IL} = MAX, V _{IH} = 2 V, I _{OL} = 4 mA	0.25	0.4		V
		V _{CC} = MIN, V _{IL} = MAX, V _{IH} = 2 V, I _{OL} = 8 mA	0.35	0.5		
I _I	J or K	V _{CC} = MAX, V _I = 7 V			0.1	mA
	$\overline{\text{CLR}}$ or $\overline{\text{PRE}}$				0.3	
	CLK				0.4	
I _{IH}	J or K	V _{CC} = MAX, V _I = 2.7 V			20	μA
	$\overline{\text{CLR}}$ or $\overline{\text{PRE}}$				60	
	CLK				80	
I _{IL}	J or K	V _{CC} = MAX, V _I = 0.4 V			-0.4	mA
	All other				-0.8	
I _{OS} ‡		V _{CC} = MAX, see Note 2	-20		-100	mA
I _{CC} (Total)		V _{CC} = MAX, see Note 3		4	6	mA

For ^nditiona abown at MIN or MAX. s the sppropriitti vduet specified urtder rweoiwhtdtdt o^wattng conditions.

*All typical vbIuob m st *cc ■ 5 V, Ta - 25fC.

Not more thee one ouWE X RfwwrM a x He. am rM durMmn of uhrur^ircitiT AhntUd net Exceed cne secrxt NOTES:

2. Por certain device whor» cUtacommotatifin con bo 8uaad by «ho«ting ai output to ground, s teei may ba pvformeaa with Vq — 2.25 V Md 2.12SV for tfio *M family ond the '7, family, roepMtivefy. with tt» minimum and maximum Hmit® reduced to ww hdr uf the, maied valuoee,

3. with all cinpim open, is masured wim itifta and B ntriptm high in nim. at The time of m*Mr^ent, g dock input le ggr»d

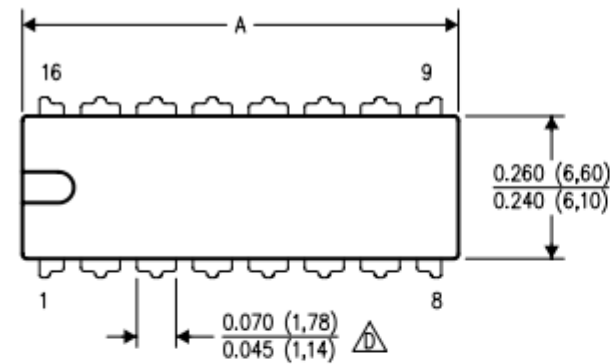
XD74LS112 DIP-16

switching characteristics, $V_{CC} = 5\text{ V}$, $T_A = 25^\circ\text{C}$ (see Note 4)

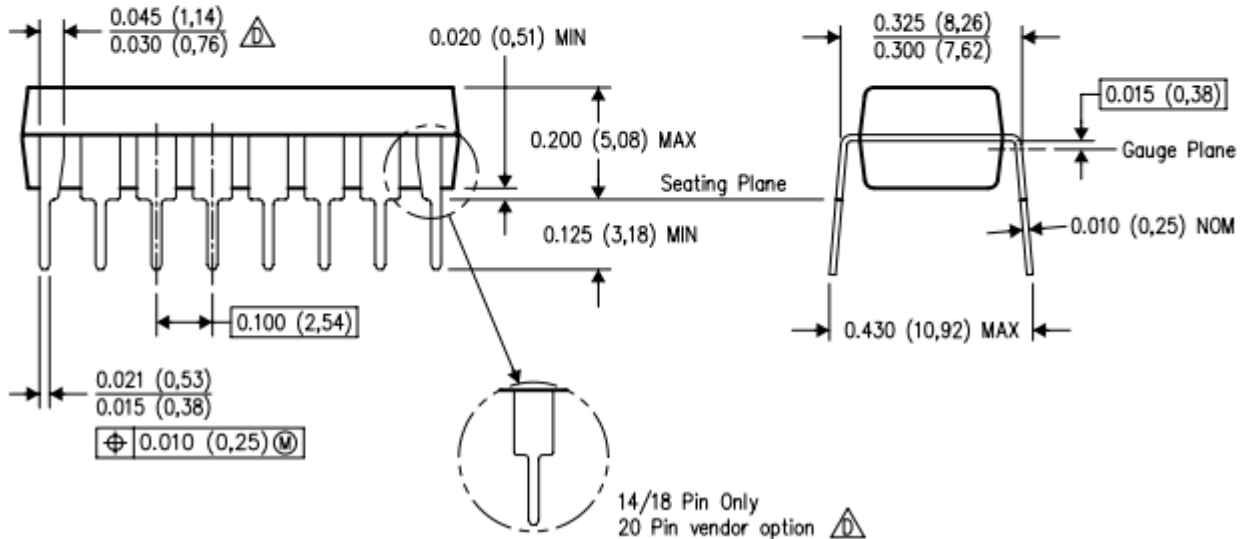
PARAMETER	FROM (INPUT)	TO (OUTPUT)	TEST CONDITIONS	MIN	TYP	MAX	UNIT
f_{\max}			$R_L = 2\text{ k}\Omega$, $C_L = 15\text{ pF}$	30	45		MHz
t_{PLH}	$\overline{\text{CLR}}$, $\overline{\text{PRE}}$ or CLK	Q or $\overline{\text{Q}}$		15	20		ns
t_{PHL}				15	20		ns

NOTE 4: Load circuits and voltage waveforms are shown in Section 1.

DIP



DIM	PINS **			
	14	16	18	20
A MAX	0.775 (19,69)	0.775 (19,69)	0.920 (23,37)	1.060 (26,92)
A MIN	0.745 (18,92)	0.745 (18,92)	0.850 (21,59)	0.940 (23,88)
MS-001 VARIATION	AA	BB	AC	AD



以上信息仅供参考. 如需帮助联系客服人员。谢谢 XINLUDA