

24

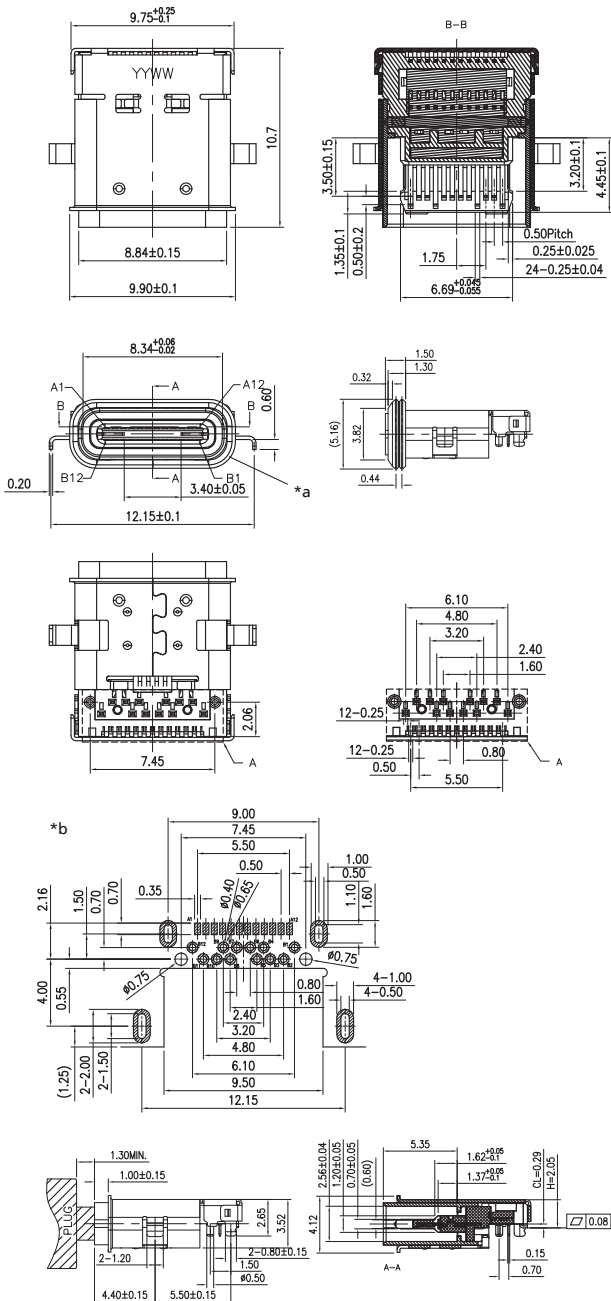
2434 01

USB and IEEE 1394 connectors



USB 3.1 chassis socket type C, 24 poles, with sealing towards mounting plate IP67, angular version, for printed circuit boards, surface mounting technology (SMT/THT)

24 2434 01



Environmental conditions

Temperature range -25 °C/+85 °C

Materials

Insulating body PPA, V-0 according to UL94
 Contact spring Cu alloy, gold-plated
 Housing steel, nickel-plated
 Seal Silicone

Mechanical data

Mating cycles 10000
 Insertion force 5-20 N
 Withdrawal force 8-20 N

Electrical data (at T_{amb} 20 °C)

Contact resistance ≤ 40 mΩ
 Rated current 5 A/125 A/0.25 A
 Rated voltage 5 V/20 V
 Rated impulse voltage 100 V/60 s
 Insulation resistance ≥ 100 MΩ

Associated products

Counterparts
 ☑ 2483 01

24

2434 01

*c

Pin	Signal Name	Mating Sequence	Pin	Signal Name	Mating Sequence
A1	GND	First	B12	GND	First
A2	SSTXp1	Second	B11	SSRXp1	Second
A3	SSTXn1	Second	B10	SSRXn1	Second
A4	Vaus	First	B9	Vaus	First
A5	CC1	Second	B8	SBU2	Second
A6	Dp1	Second	B7	Dn2	Second
A7	Dn1	Second	B6	Dp2	Second
A8	SBU1	Second	B5	CC2	Second
A9	Vaus	First	B4	Vaus	First
A10	SSRXn2	Second	B3	SSTXn2	Second
A11	SSRXp2	Second	B2	SSTXp2	Second
A12	GND	First	B1	GND	First
SHELL	GND		SHELL	GND	

- *a gasket ring is packed separately
- *b printed circuit board layout, components side view
- *c pin assignment

24

2434 01

Designation	Pole Number	PU (Pieces)	MDQ (Pieces)
2434 01	24	1000	1000

Packaging:

on reel