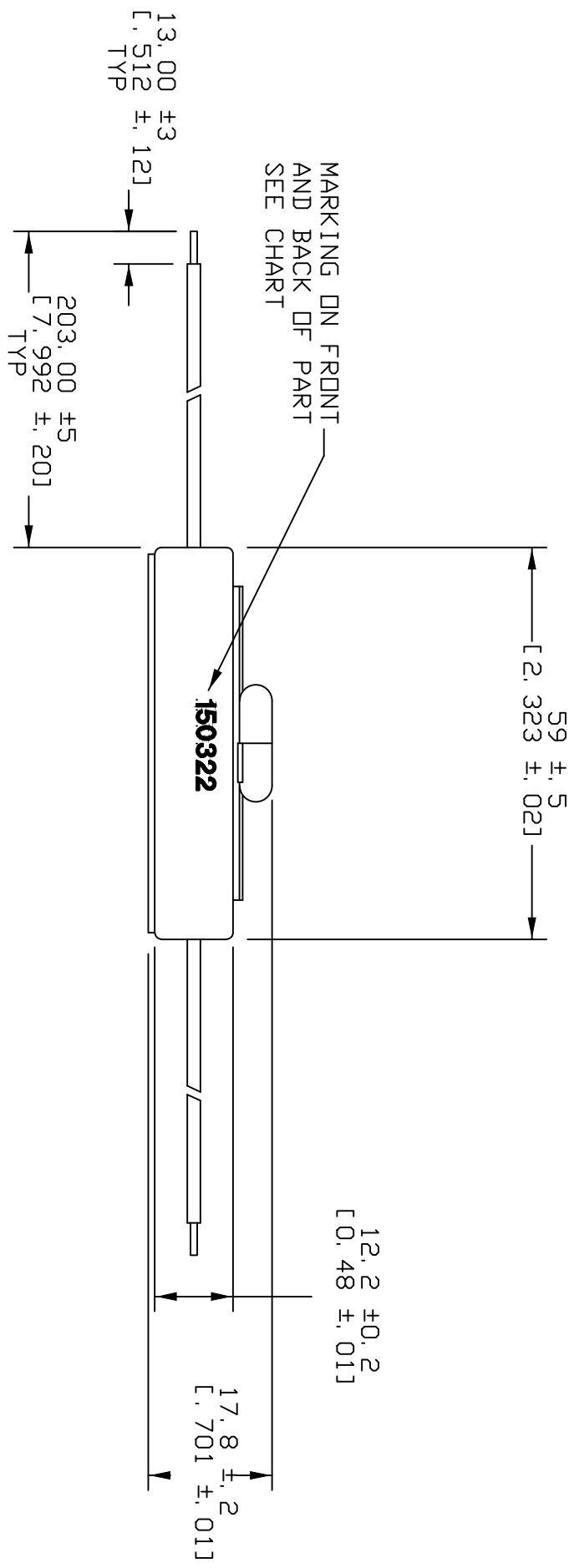


PART NUMBER	DESCRIPTION	UPC CODE	MARKING	
			FRONT	BACK
01500322H	ACS 3AG INLINE FUSE HOLDER	079458 10590	150322	500V 15A MAX UR
01500332H	ACS 3AG INLINE FUSE HOLDER	079458 94730	150332	250V 15A UR PA-VD



NOTES:

1. WIRE IS AWG18, RATED @150°C, COLOR: BLACK
2. INTERNAL TERMINALS ARE BRASS, Sn PLATED

PACKAGING NOTES:

SUPPLIER TO PACKAGE 100 PCS PER BOX AND LABEL WITH A LABEL PRINTED WITH:
 *LITTELFUSE PART NUMBER
 *DESCRIPTION
 *UL RECOGNIZED LOGO
 *QUANTITY
 *DATE CODE
 *COUNTRY OF ORIGIN
 *UPC CODE

APPROVED HOUSING MATERIALS:
 PREFERRED: DUPONT FR7025VDF

UNLESS OTHERWISE SPECIFIED, DIMENSIONS ARE IN MILLIMETERS. DIMENSIONS IN BRACKETS [] ARE INCHES	
UNLESS OTHERWISE SPECIFIED, DIMENSIONS DO NOT INCLUDE PLATING.	
●	DENOTES CRITICAL CHARACTERISTICS.
CPK	DENOTES CPK DIMENSIONS, -MINIMUM CPK VALUE
ST	DENOTES A CHARACTERISTIC THAT PROVIDES AN INDICATION OF PROCESS PERFORMANCE. PROCEDURE FOR MEASUREMENT AND TRACKING TO BE DEFINED IN LITTELFUSE INSPECTION INSTRUCTIONS.
CP	DENOTES CP DIMENSIONS, -MINIMUM CP VALUE MUST BE WITHIN THE DIMENSIONAL LIMITATIONS SHOWN ON DRAWING AND INITIALLY LOCATED TO ALLOW FOR MAXIMUM TOOL LIFE.

NO	COMPONENT NO	DESCRIPTION	QTY/M	U/M
----	--------------	-------------	-------	-----

BILL OF MATERIAL

LTR	REVISION	COPIES TO	MATERIAL SPEC		FINISH				
			DRW	MQR	DATE	SCALE			
A	501802ERE - RELEASED 03/11/11 MQR	1	9	18	DRW	MQR	DATE 03/11/11	SCALE FULL	
		2	10	19	CHK	C. HERBIAS	DATE 03/11/11	SUPER DRW	
		3	12	20	APPD	C. HERBIAS	DATE 03/11/11	FINISH GOOD WT GRAMS/PIECE	
		4	13	21	TOLERANCE UNLESS OTHERWISE SPECIFIED				
		5	14	23	TWO PLACE DEC ±.25[.01]		FRACTION ±		
		6	15	33	THREE PLACE DEC ±.100[.004]		ANGULAR ±1°		
		7	16	43	TITLE IN-LINE FUSE HOLDER				
		8	17	53	3RD ANGLE PROJECTION				
CHK	APD	LITTELFUSE® DES PLAINES, ILLINOIS 60016		REVISION	DRWG. NO.	OUTLINE			
				A	01500322H 01500332H	THRU			