



Product designation				SLIM RELAY
Product type designation				HR10
<b>Contact characteristics</b>				
Contact configuration				1 C/O
Rated insulation voltage $U_i$ IEC/EN	V			250
Rated impulse withstand voltage $U_{imp}$	kV			4
IEC Conventional free air thermal current $I_{th}$	A			6
Maximum instantaneous current	A			20 (500ms)
Rated current ( $I_n$ )	A			6
Relay control voltage	V			24VDC; 24VAC/DC
UL/CSA and IEC/EN 60947-5-1 designation				B300 – R300
UL rating				6A 277VAC; 6A 30VDC
Max contrrollable power in				
	AC-1	W	1500	
	AC-15	VA	360	
Rated operating power AC-1		VA	1500	
Rated operating power AC-15		VA	360	
	230 VAC	VA	360	
Single-phase motor control		kW	0.186	
	230VAC	kW	0.186	
Rated operating current DC-1		A	6	
	30V	A	6	
	110V	A	0.2	
	220V	A	0.12	
Minimum switching load		V / mA	5 / 100	
Contact impedance		m $\Omega$	100	
Contact material				Ag/Ni
<b>Operating times</b>				
Closing		ms	$\leq 8$	
Opening		ms	$\leq 4$	
<b>Operations</b>				
Mechanical life		cycles	10000000	
Electrical life AC1		cycles	30000	
<b>Coil characteristics</b>				
Average coil consumption DC at 20°C		W	0.2	
Operating range				
	Closing	% $U_n$	$\geq 75$	
	Opening	% $U_n$	$\geq 5$	
Maximum cycle frequency		cycles/h	10000	
<b>Mechanical features</b>				
Max socket terminal tightening torque		Nm	0.5	
Socket screw tightening tool (cross / flat blade)				PH0 / 3.5mm

Conductor section

AWG/Kcmil

min 20  
max 16

IEC

min mm<sup>2</sup> 0.5  
max mm<sup>2</sup> 1.5

Operating position

normal Any

Fixing

On 35mm DIN rail

Ambient conditions

Temperature

Operating temperature

min °C -40  
max °C +70

Storage temperature

min °C -40  
max °C +80

Other features

Indication

Yes (on the socket)

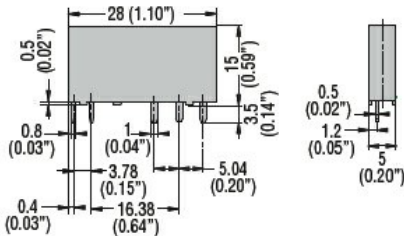
Mechanical contact position indicator

No

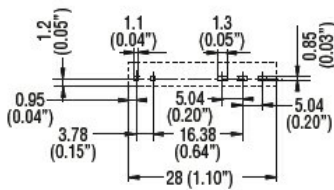
Mechanical test actuator

No

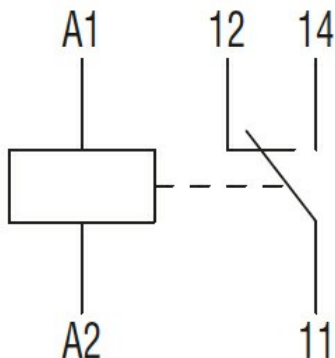
Dimensions



PCB layout



Wiring diagrams



Certifications and compliance

Compliance

IEC/EN 61810

Certificates

CSA

cURus

EAC

VDE

ETIM classification

ETIM 8.0

EC001437 -  
Switching relay