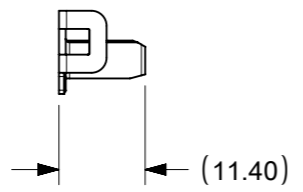
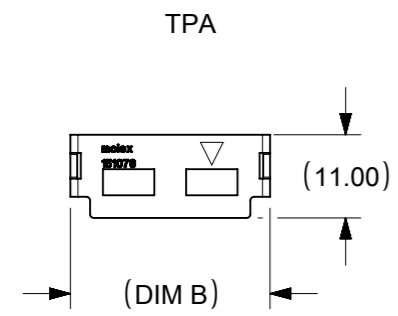
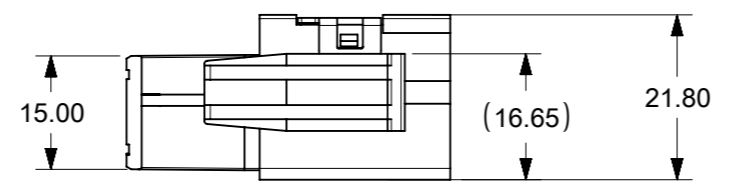
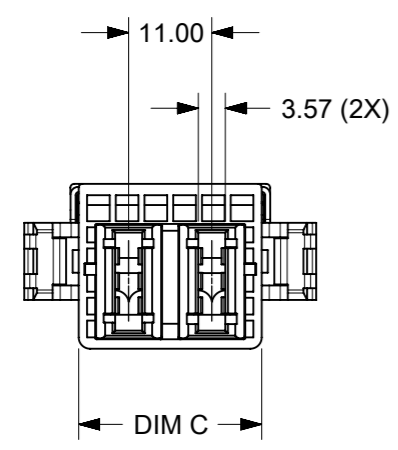
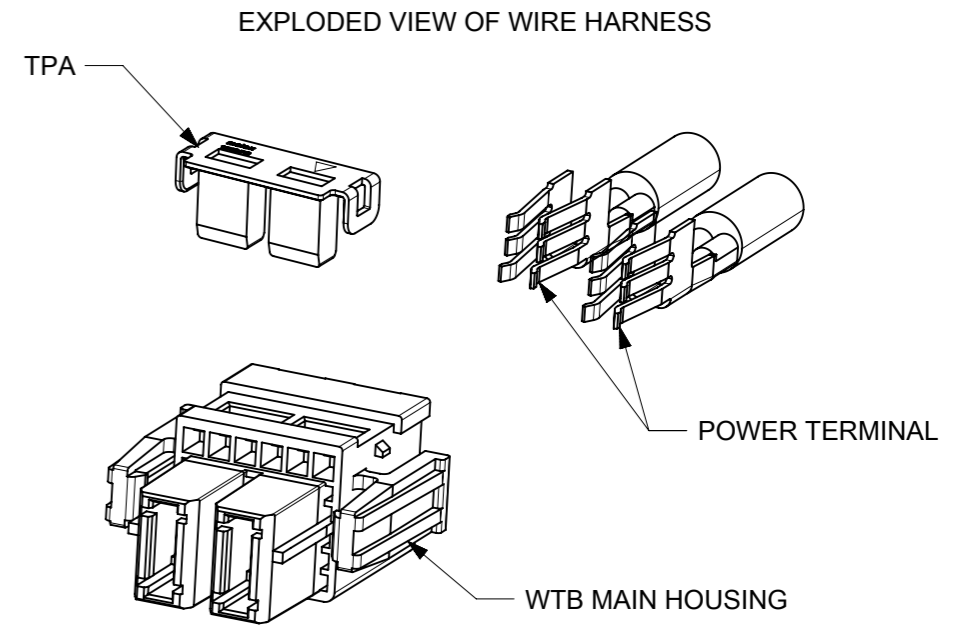
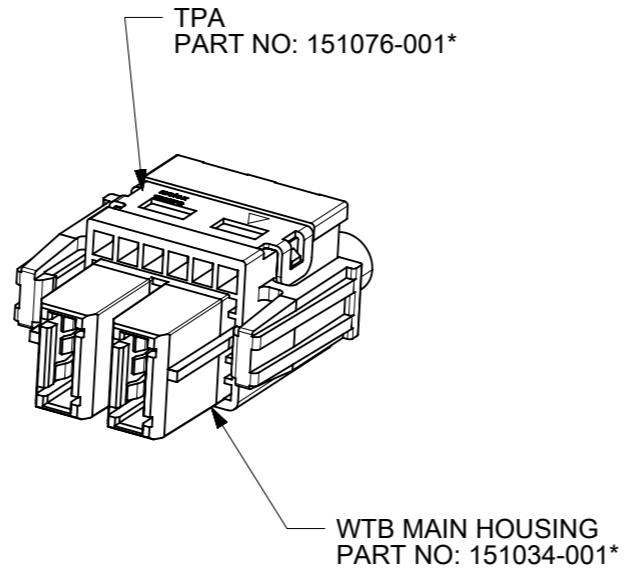
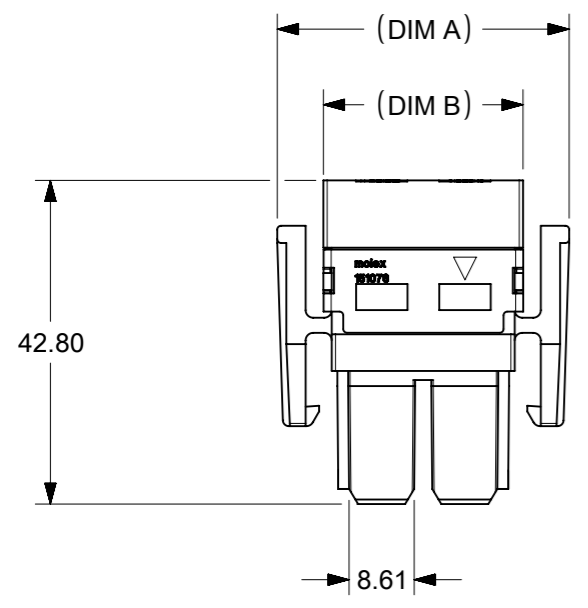


CKT SIZE	WTB MAIN HOUSING	TPA	DIM A	DIM B	DIM C
2	151034-0012	151076-0012	38.60	26.40	24.20
3	151034-0013	151076-0013	49.60	37.40	35.20
4	151034-0014	151076-0014	60.60	48.40	46.20
5	151034-0015	151076-0015	71.60	59.40	57.20
6	151034-0016	151076-0016	82.60	70.40	68.20



- NOTES:
- MATERIAL:
MAIN HOUSING AND TPA: PBT
CRIMP TERMINAL: COPPER ALLOY
 - FINISHES: TIN OVER NICKEL WITH SELECTIVE GOLD
 - PRODUCT SPEC: PS-151053-0000
 - PACKAGING:
WTB MAIN HOUSING: PK-151034-0001 IN TRAY
TPA: PK-151076-0001 IN BAG
 - TO BE USED WITH CRIMP PART NUMBER 46819-0012 (8 AWG), 46819-0013 (6 AWG)
 - PARTS ARE RoHS COMPLIANT.
 - TPA MUST BE USED WITH HOUSING
 - DO NOT INSERT TPA INTO HOUSING UNTIL THE CRIMP WITH WIRES HAD BEEN INSERTED.
 - FOR WIRE SIZE: 8 AWG, 6 AWG
 - TPA, HOUSING AND CRIMP TERMINAL ARE SOLD SEPERATELY.

SYMBOLS		THIS DRAWING CONTAINS INFORMATION THAT IS PROPRIETARY TO MOLEX ELECTRONIC TECHNOLOGIES, LLC AND SHOULD NOT BE USED WITHOUT WRITTEN PERMISSION		CURRENT REV DESC:		molex			
▽ = 0	DIMENSION UNITS	mm	SCALE			GUARDIAN			
▽ = 0	GENERAL TOLERANCES (UNLESS SPECIFIED)	NTS				CRIMP RECEPTACLE HOUSING 2 - 6 CKTS			
▽ = 0	ANGULAR TOL	±	1.0°			PRODUCT CUSTOMER DRAWING			
▽ = 0	4 PLACES	±		EC NO:	607023				
▽ = 0	3 PLACES	±		DRWN:	CGOH	2018/04/12			
▽ = 0	2 PLACES	±	0.25	CHK'D:	EANG	2018/11/02			
▽ = 0	1 PLACE	±		APPR:	KHLIM	2018/11/15			
▽ = 0	0 PLACES	±		INITIAL REVISION:					
▽ = 0	DRAFT WHERE APPLICABLE MUST REMAIN WITHIN DIMENSIONS			DRWN:	CGOH	2014/04/23	DOCUMENT NUMBER	SD-151034-0001	
▽ = 0	THIRD ANGLE PROJECTION			APPR:	CGOH	2014/08/01	DOC TYPE	PSD	
				DRAWING	A3-SIZE	SERIES	151034	DOC PART	001
				MATERIAL NUMBER	SEE TABLE	CUSTOMER	GENERAL MARKET	REVISION	B
								SHEET NUMBER	
								1 OF 1	