



For other options or further information please contact your local sales office.

Product Profile

The M.series is an adaptable, vandal-resistant keypad for fitting behind a panel. The modular construction and truly innovative technology allows for total design flexibility, generally without the need for additional engineering or tooling costs. Suitable for access and security control, banking and payment terminals, vending machines, information terminals and kiosks, and machinery and process control.

Technical data see page 144

- Create a unique layout! Choose key illumination, colour, material, tactile feedback and length of travel
- Shock and impact up to IK09X
- Sealed up to IP67
- Integral anti-fraud protection circuit
- Readily adaptable to biometric door-entry systems
- 4, 12 and 16 key versions

Non-Illuminated keypad



Non illuminated keypad, 4 keys, round concave, pin header connection, 1 2 3 4 markings

Part No.	Output type	Contact Type
M04PARSANLPA	Common point	Carbon pill
M04PARSANSPA	Common point	Domes



Non illuminated keypad, 12 keys, round concave, pin header connection, telephone markings

Part No.	Output type	Contact Type
M12PARSANLMT	Matrix	Carbon pill
M12PARSANSMT	Matrix	Domes

Non-Illuminated keypad



Non illuminated keypad, 16 keys, round concave, pin header connection, hexadecimal markings

Part No.	Output type	Contact Type
M16PARSANLMH	Matrix	Carbon pill
M16PARSANSMH	Matrix	Domes



Non illuminated keypad, 16 keys, round concave, pin header connection, banking version with domes, security and coloured keys

Part No.	Output type	Contact Type
M16PARSBNSMB	Matrix	Domes

For other options or further information please contact your local sales office.



☐ Illuminated keypad



Illuminated keypad, 4 keys, round concave, pin header connection, 1 2 3 4 markings

Colour	Part No.	Output type	Contact Type
Yellow	M04iARSAYLPA	Common point	Carbon pill
Yellow	M04iARSAYSPA	Common point	Domes



Illuminated keypad, 12 keys, round concave, pin header connection, telephone markings

Colour	Part No.	Output type	Contact Type
Yellow	M12iARSAYLMT	Matrix	Carbon pill
Yellow	M12iARSAYSMT	Matrix	Domes
Blue	M12iARSABLMT	Matrix	Carbon pill
Blue	M12iARSABSMT	Matrix	Domes



Illuminated keypad, 16 keys, round concave, pin header connection, hexadecimal markings

Colour	Part No.	Output type	Contact Type
Yellow	M16iARSAYLMH	Matrix	Carbon pill
Yellow	M16iARSAYSMH	Matrix	Domes
Blue	M16iARSABLMH	Matrix	Carbon pill
Blue	M16iARSABSMH	Matrix	Domes

☐ Illuminated keypad



Illuminated keypad, 16 keys, round concave, pin header connection, banking version with domes, security and coloured keys type

Part No.	Output type	Contact Type
M16iARSBYSMB	Matrix	Domes

A Accessories



Mounting bracket (two per unit, for all versions of M.series)

Part No.
FIX.M001

Keypad**Material****Plastic parts**

Plastic parts, as per UL 94 V0

Sealing gasket and membrane

Silicone, as per UL 94 HB

Keys

Aluminium anodised

Contacts

Dome version: Nickel/Gold

Membrane version: Carbone/Gold

PCB

PCB: Epoxy FR4, as per UL 94 V0, with gold coating

Mechanical characteristics**Terminals**

Male pin connector: HE14 (number of pins according drawing)

Tightening torque

50 Ncm \pm 5 Ncm (screws for thermoplastic)

Actuating force

Dome version: 4.5 N \pm 30%

Membran version: 1.9 N \pm 30%

Actuating travel

Dome version: 0.6 mm ... 1 mm

Membrane version: 0.8 mm ... 1.3 mm

Rebound time

Dome version: <1 ms

Membrane version: <10 ms

Life time (cycles per key)

Dome version: 1 million actuations

Membrane version: 4 million actuations

Electrical characteristics**Operating voltage/-current**

Operating voltage: 5 VDC

Current rating: 240 mA max.

Illumination

Current consumption for single LED:

20 mA at 2.1 V (yellow and green)

20 mA at 1.9 V (red)

15 mA at 3.7 V (white)

10 mA at 3.4 V (blue)

Interface

4 key version: Common point

Matrix as standard, others on request (common point, USB)

Contact resistance

Dome version: <1 Ω

Membrane version: <200 Ω

Electrostatic breakdown value

15 kV with a metallic front plate

Environmental conditions**Storage temperature**

-40 °C ... +85 °C (-30 °C for illuminated version)

Operating temperature

-25 °C ... +85 °C

Protection degree

IP67 (front face)

Climate resistance

as per EN IEC 60512-6

Damp heat: 21 days, +40 °C

Dry heat: 10 days, +85 °C

Saline mist: 96 hours

UV resistance: 56 days

Impact resistance

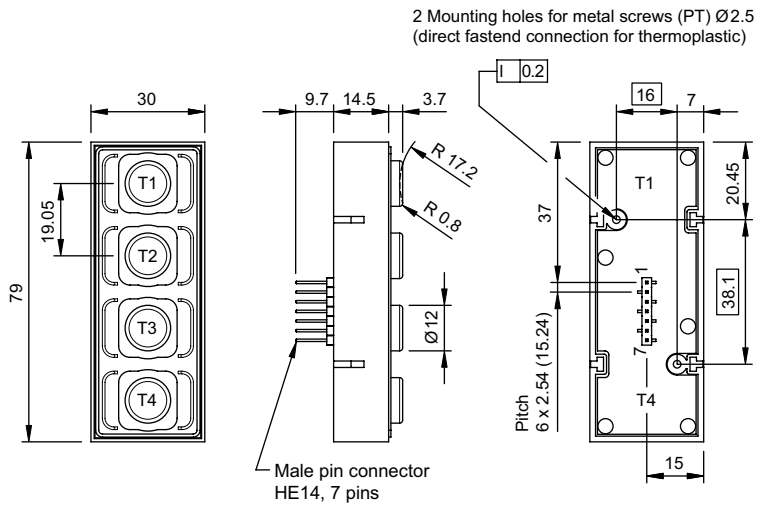
IK 09 for standard version with a 3 mm thick stainless steel front plate

Approvals**Declaration of conformity**

CE

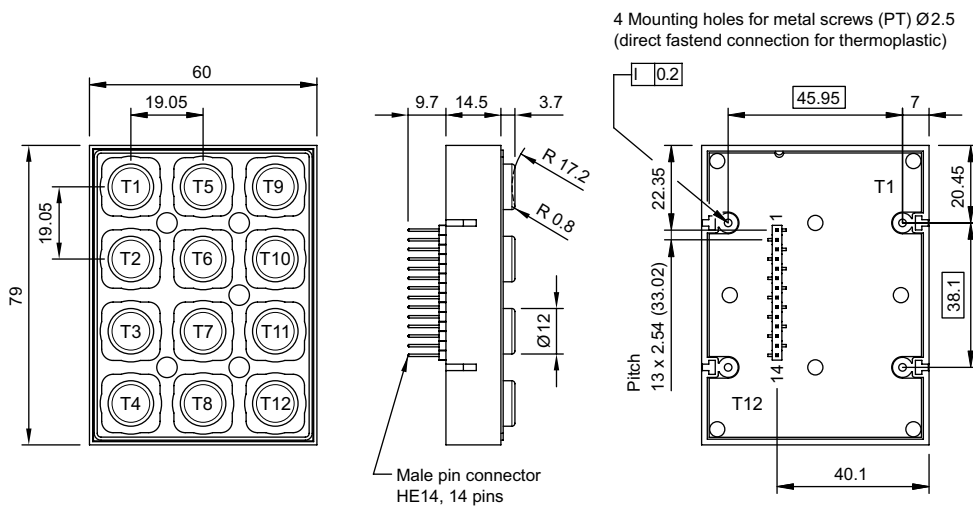
Keypad

4 keys



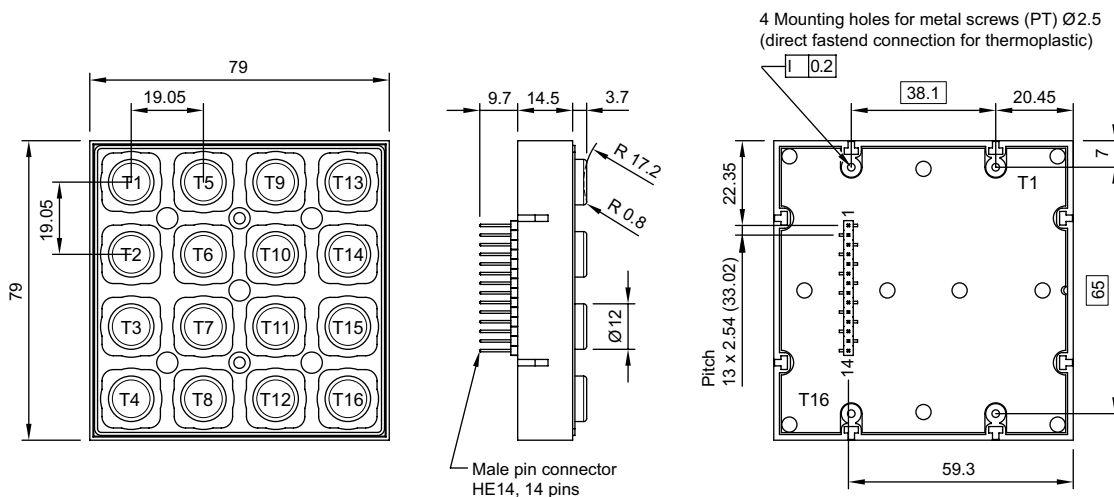
Keypad

12 keys



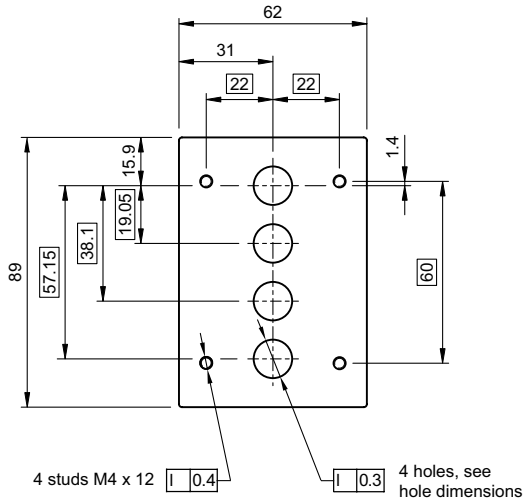
Keypad

16 keys

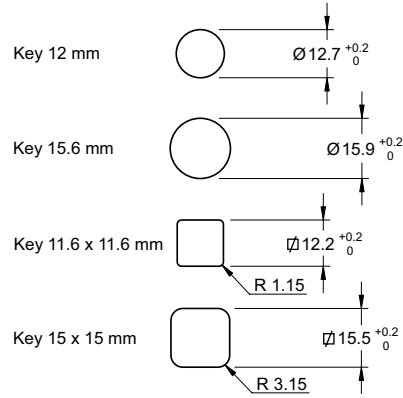


Cut-outs

4 keys

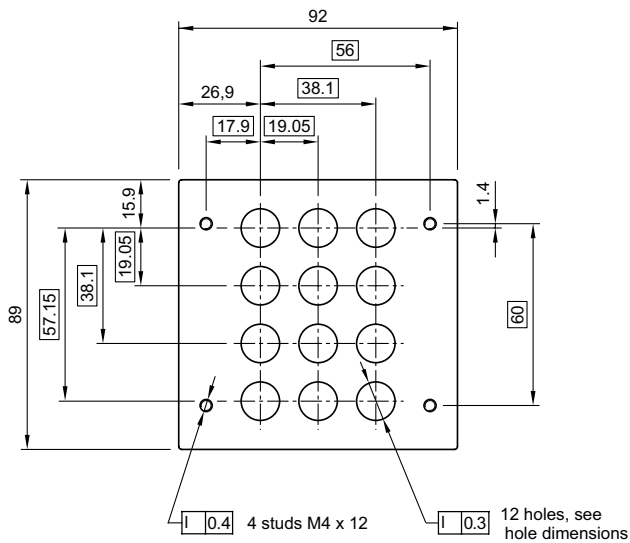


Hole dimensions

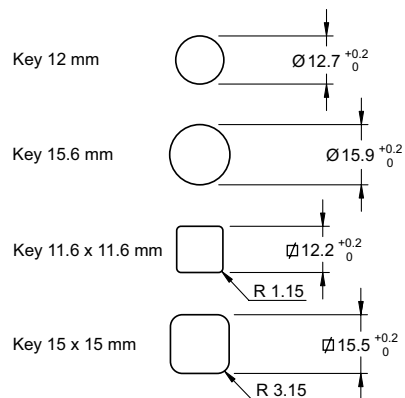


Cut-outs

12 keys

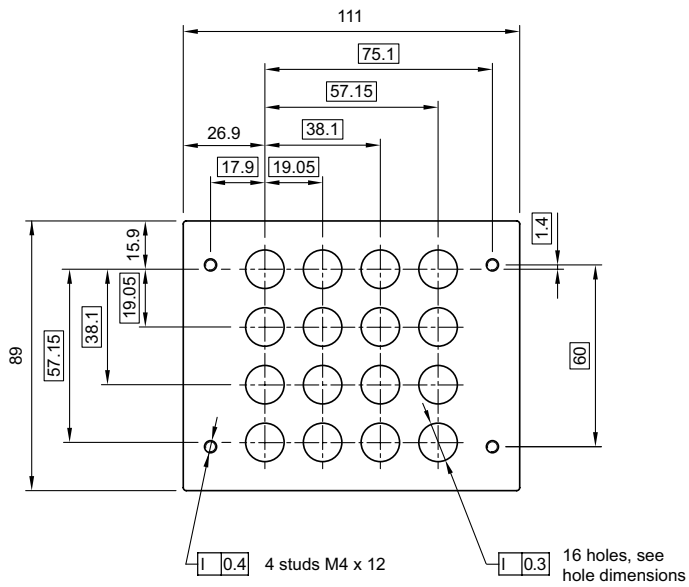


Hole dimensions



Cut-outs

16 keys



Hole dimensions

