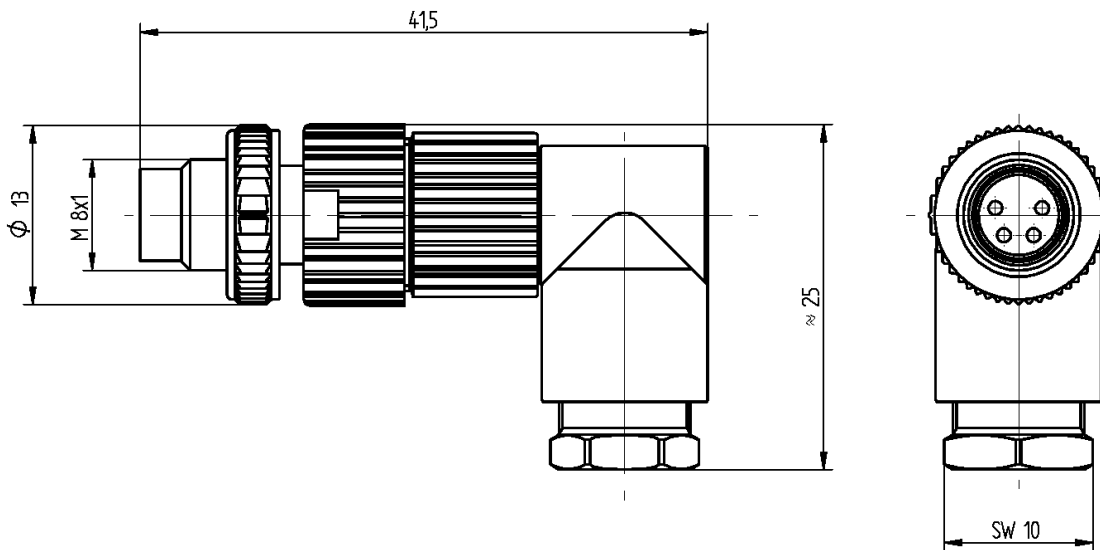
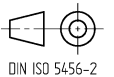


RoHS ✓



The information/details in this datasheet merely contain general descriptions or performance factors which, when applied in an actual situation, do not always correspond with the described form, and may be amended by way of the further development of products. The desired performance factors shall only be binding if these are expressly agreed on conclusion of the contract.



Product description

Description	Cable plug, angled
Type	ELWIST 4008 V, new description: RSMCWQ 4
Order No	933-409-100
Type of contacts	male
Number of contacts	4
Cable gland	M 9,5x1
Strain-relief	clamping cage
Conductor size	0,14 mm ² to 0,34 mm ²
Standard	IEC 61076-2-101 E
Color housing	black

Technical data

Rated voltage	60V AC/DC
Rated current *	4 A (2A at 0,14mm ²), notice derating
Pollution degree	3 acc. to DIN EN 60664-1 (VDE 0110-1)
Type of connection	Pin penetration
Suitable cables	Ø4 mm to Ø5 mm
Wire isolation of the suitable cable	PVC, PETP, PP**, Ø1 mm to Ø1,55 mm
Mounting	locking screw M 8x1

* Notice derating

** recommended cable LUMFLEX®: 909 224 or 909 255

Materials

Contact	CuSn
Contact plating	Cu/Au
Contact bearer	PA
Housing	PA
Gasket(s)	Viton
Coupling nut	ZnAl Cu
Surface coupling nut	Zn/ Ni

Resistances

Housing	ASTM-oil 1, 2, 3
Gasket	ASTM-oil 1, 2, 3

Environmental conditions

Protection class (IEC 60529) *	IP67 *
Temperature range (connector)	-25°C to +70°C, notice derating

* only if mounted and locked in combination with Hirschmann / Lumberg connector.

Flammability class

Housing	UL 94 V-2
Contact bearer	UL 94 V-2

Approvals

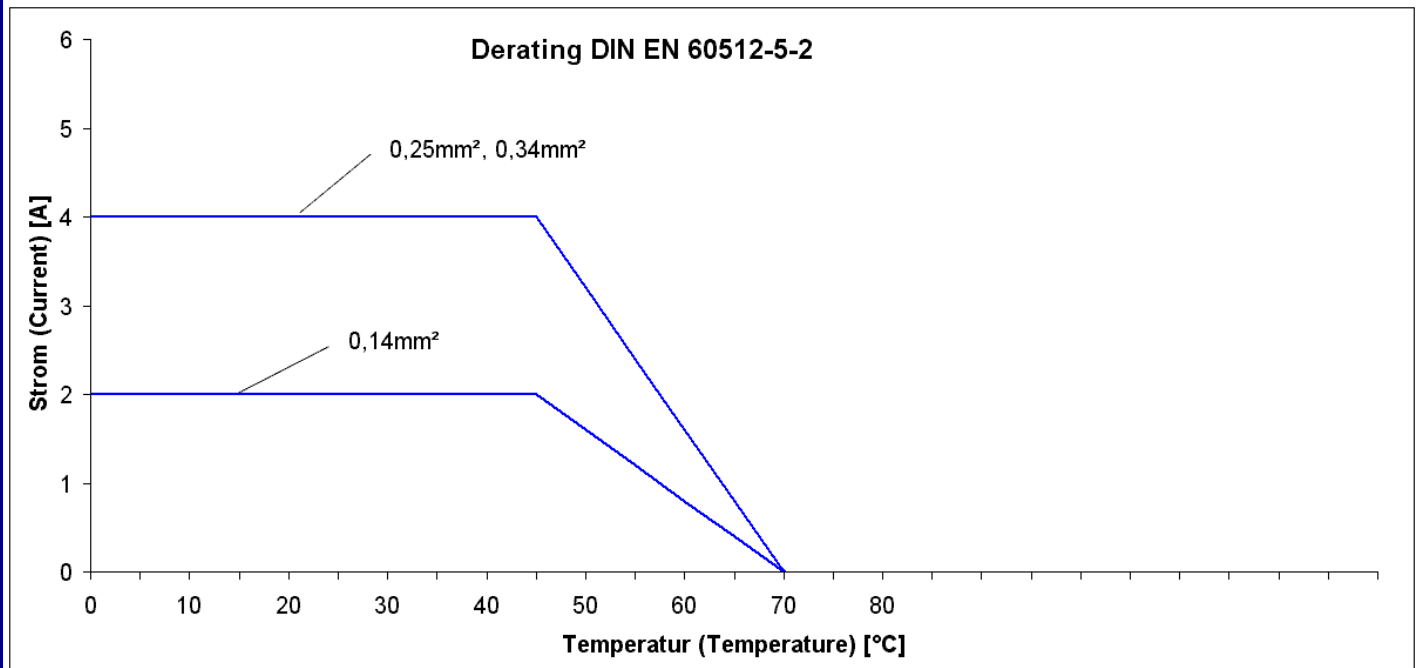
UL	yes
----	-----

Additional technical data

Fastening torque (cable gland)	M9,5x1: > 40 Ncm
--------------------------------	------------------

Notes

Do not connect or disconnect under load.



product overview

Article-No.	Type
933-409-100	ELWIST 4008 V