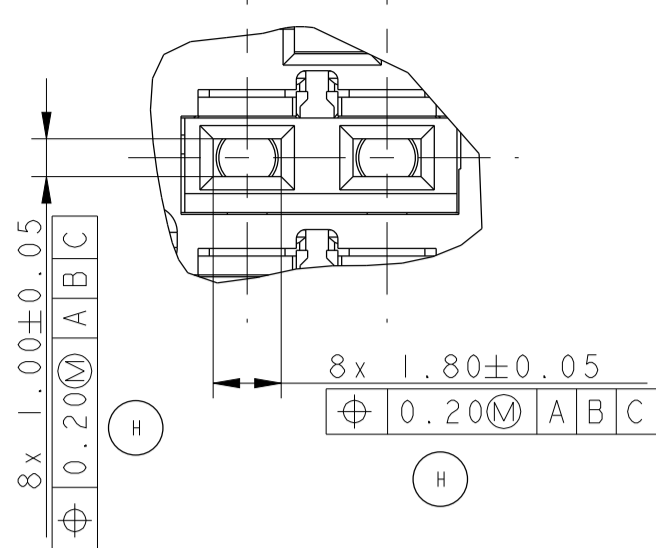
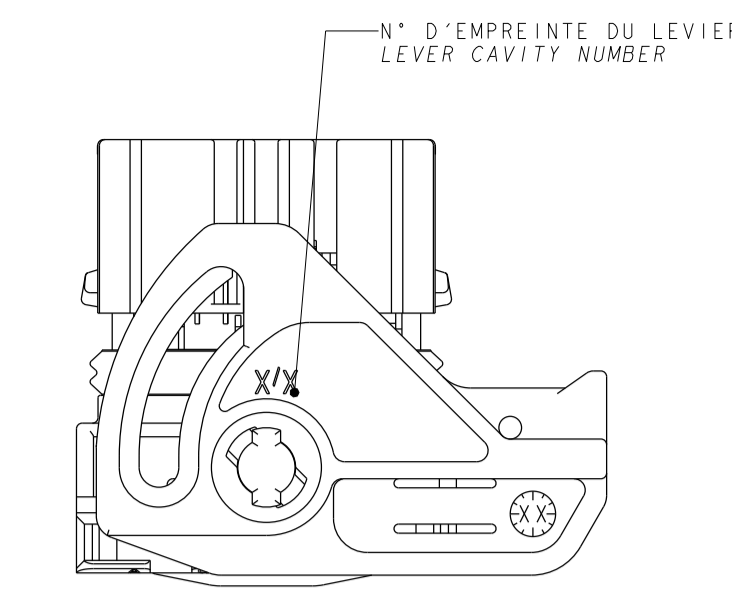


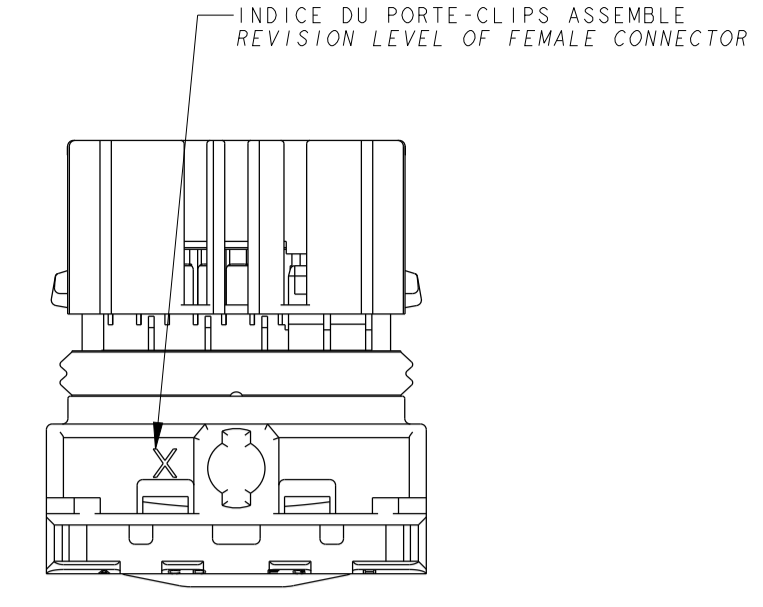
**DETAIL ALVEOLES 15
DETAIL CAVITIES 15**



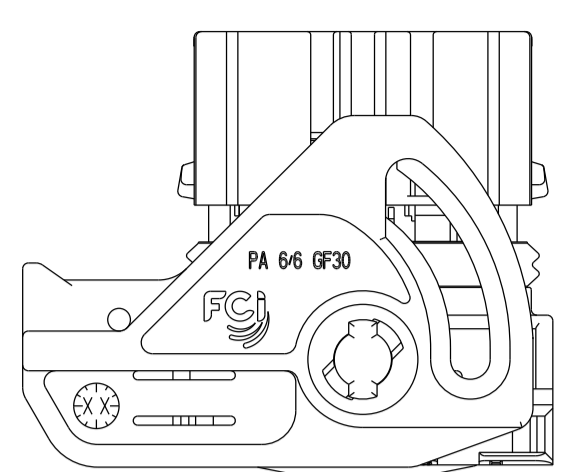
ECHELLE 5:1 / SCALE 5:1



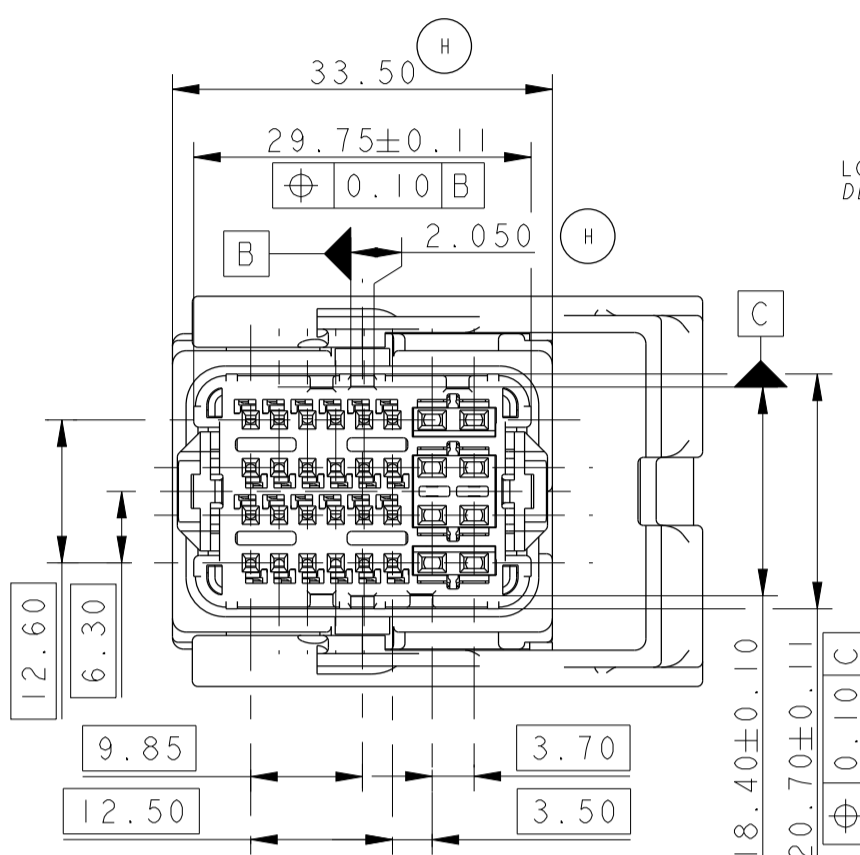
**SORTIE FAISCEAU A DROITE
RIGHT WIRING OUT**



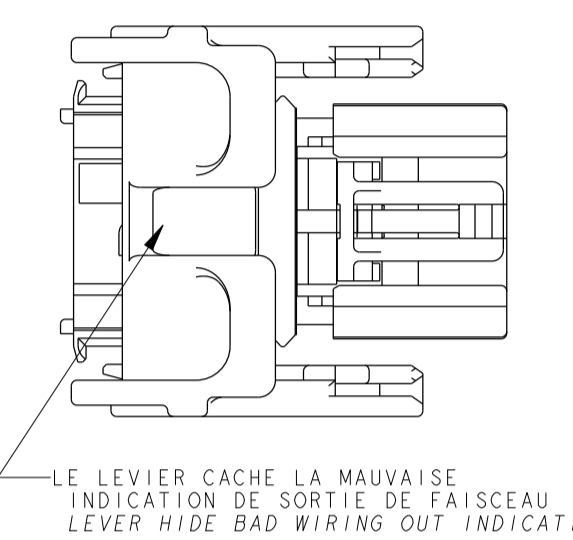
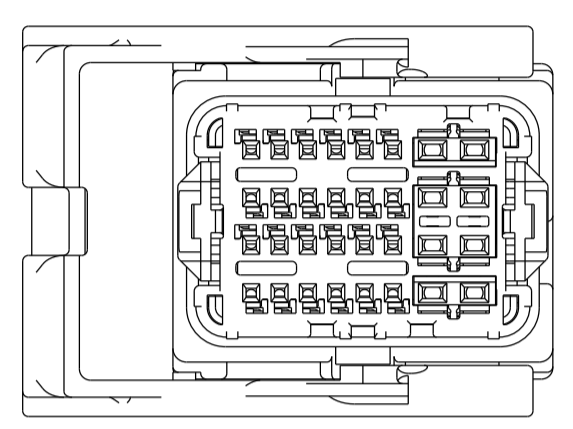
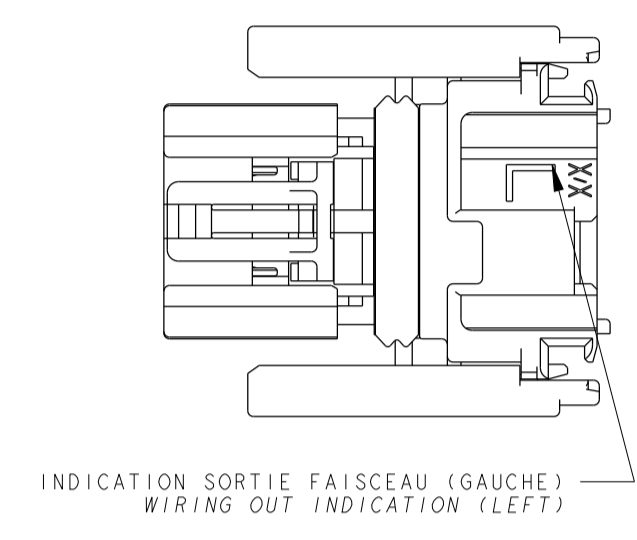
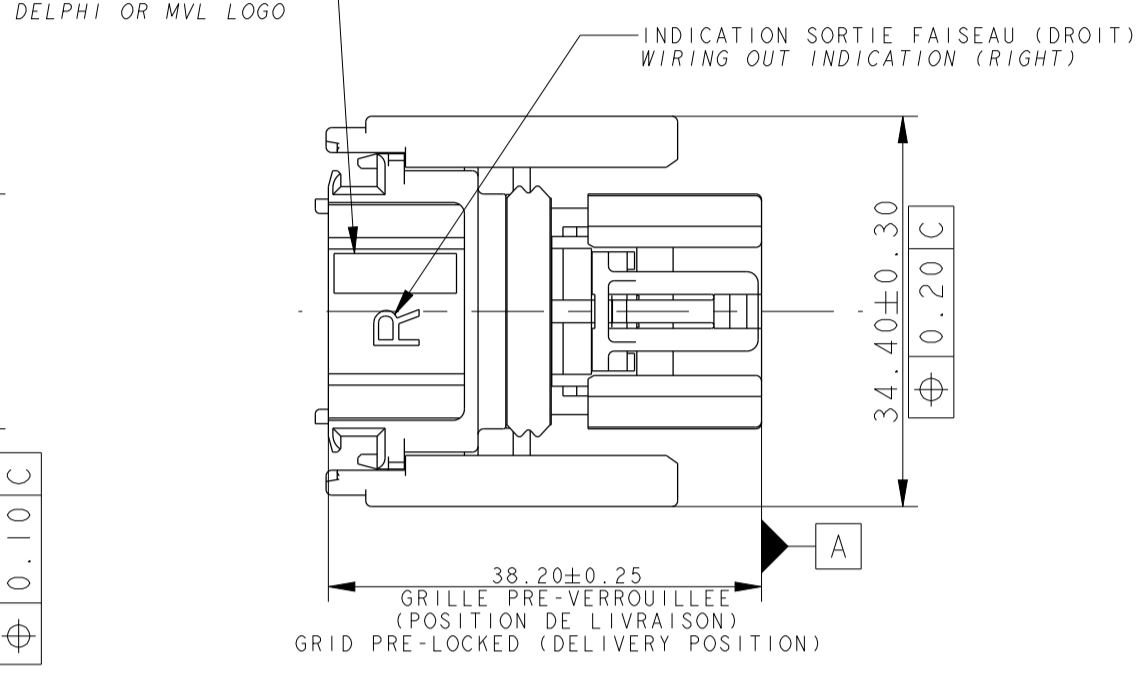
**MARQUAGES EN DESSOUS DU LEVIER
(LEVIER ENLEVE POUR CETTE VUE)
MARKING UNDER LEVER COMPONENT
(LEVER REMOVED FOR THIS VIEW)**



**SORTIE FAISCEAU A GAUCHE
LEFT WIRING OUT**

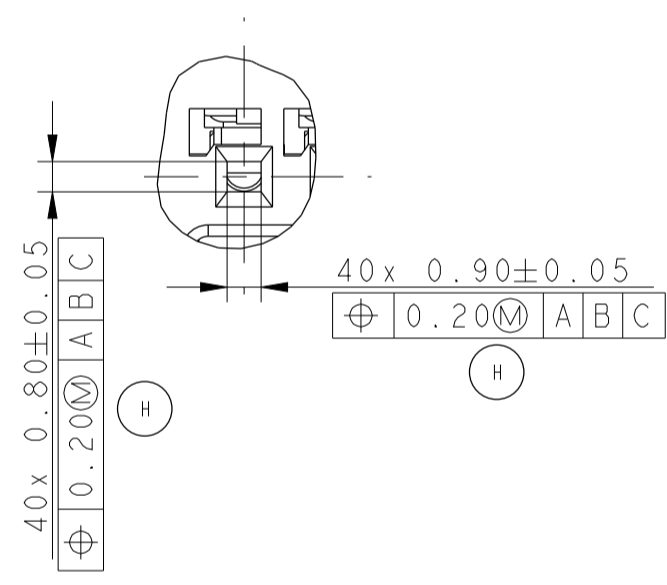


LOGO DELPHI OU MVL
DELPHI OR MVL LOGO

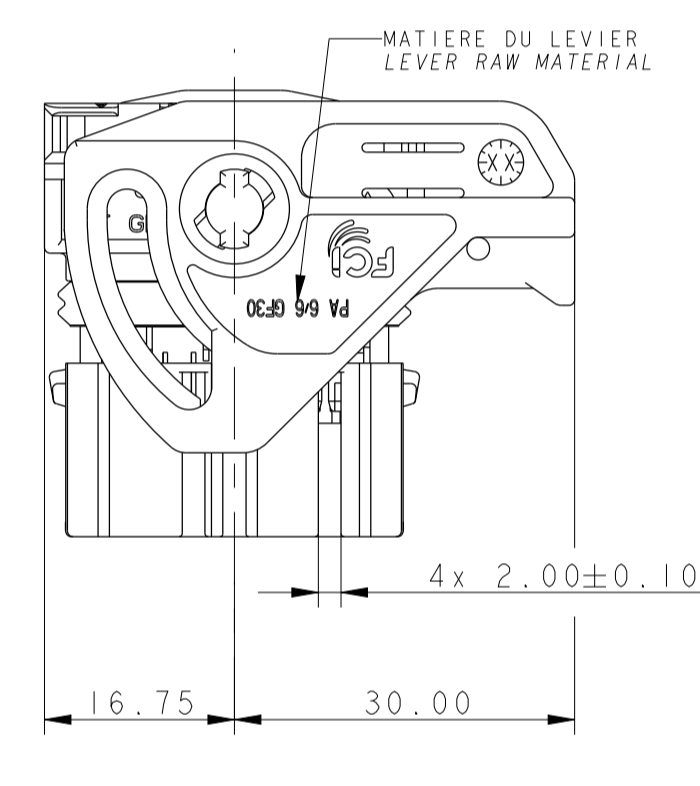


LE LEVIER CACHE LA MAUVAISE
INDICATION DE SORTIE DE FAISCEAU
LEVER HIDE BAD WIRING OUT INDICATION

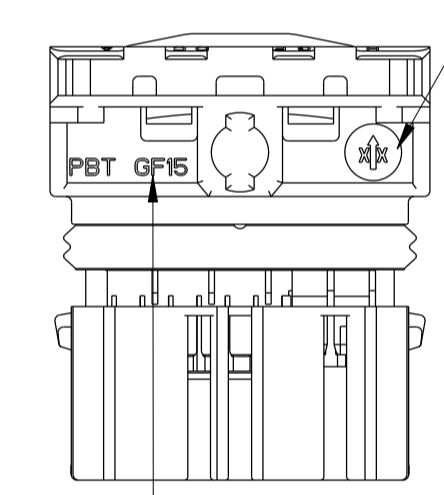
**DETAIL ALVEOLES 0.635
DETAIL CAVITIES 0.635**



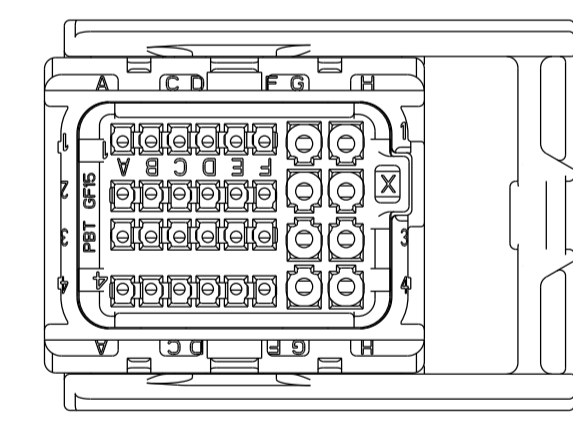
ECHELLE 5:1 / SCALE 5:1



DATEUR (MOIS/ANNEE)
CLOCK DATE (MONTH/YEAR)



**MARQUAGES EN DESSOUS DU LEVIER
(LEVIER ENLEVE POUR CETTE VUE)
MARKING UNDER LEVER COMPONENT
(LEVER REMOVED FOR THIS VIEW)**



| MODULE MODULE | PRODUITS ASSOCIES ASSOCIATED PARTS | | | | | |
|--------------------|---------------------------------------|------------|-----------------------------------|------------|------------|------------|
| | CAPOT COVER | | BOUCHON D'ALVEOLES CAVITY PLUG | | | |
| | MVL P/N | DELPHI P/N | MVL P/N | DELPHI P/N | MVL P/N | DELPHI P/N |
| 32 VOIES 32 WAY | PP10001522 | 13851307 | PP10001485 | 13768626 | PP10001486 | 13826722 |

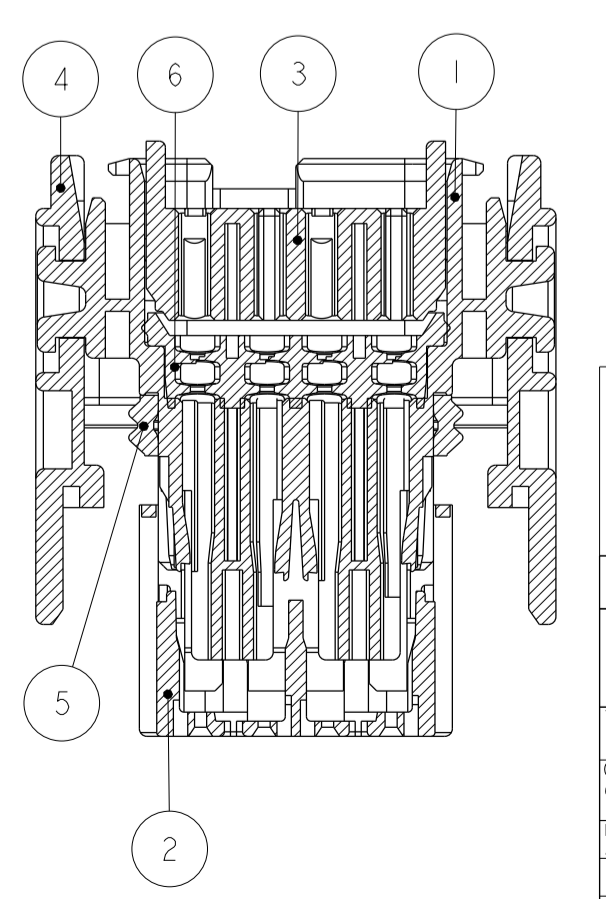
| |
|---|
| SPECIFICATION DE CONDITIONNEMENT PACKAGING SPECIFICATION |
| FE PA 06 013 |
| CAHIER DES CHARGES SPECIFICATION |
| NF R 13-462 FE PS 07 023 |
| MISE EN OEUVRE APPLICATION SPECIFICATION |
| DOSSIER DE PRECONISATION : PU 087 USER'S MANUAL: PU 087 |

| TYPE DE CONTACT TERMINAL SIZE | REFERENCE MVL MVL PART NUMBER | REFERENCE DELPHI DELPHI PART NUMBER | JOINT TUBE SUR FIL WIRE TUBE | Ø DE FILS MINI ET MAXI ADMISSIBLE POUR GARANTIR L'ETANCHEITE DU PRODUIT SUITABLE MIN. AND MAX. WIRES Ø TO GUARANTEE THE WATER TIGHTNESS OF THE PRODUCT | |
|----------------------------------|----------------------------------|--|---------------------------------|---|---------------------|
| | | | | Ø MINI MINIMUM Ø | Ø MAXI MAXIMUM Ø |
| GTS 0.635 | 0.35mm² | PP10001619 | 13955989 | 1.30 | 1.50 |
| | 0.50mm² | PP10000489 | 13648598 | 1.40 | 1.70 |
| GTS 1.5 | 0.50mm² - 0.65mm² | PP10001482 | 13712871 | 2.00 | 2.20 |
| | 1.00mm² - 1.30mm² | PP10001483 | 13741954 | 2.10 | 2.40 |
| | 1.40mm² - 2.00mm² | PP10001484 | 13749482 | 2.30 | 2.80 |

**NOMENCLATURE
PARTS LIST**

| REP. | DESIGNATION | MATIERE MATERIAL | COULEUR COLOUR | REF MVL MVL P/N | INDICE REVISION | QTE QTY |
|------|---|---------------------|---------------------|--------------------|--------------------|------------|
| 6 | GROMMET MATE SEAL | SILICONE SILICON | GRIS GREY | PP10000424 | C | |
| 5 | JOINT INTERFACIAL MATING SEAL | SILICONE SILICON | INCOLORE CRISTAL | PP10000427 | A | |
| 4 | LEVIER LEVER | PA66 GF30 | NOIR BLACK | PP10000416 | A | |
| 3 | GRILLE ARRIERE ETANCHE SEALED REAR GRID | PBT GF 15 | GRIS GREY | PP10000421 | C | |
| 2 | GRILLE AVANT FRONT GRID | PBT GF 15 | NOIR BLACK | PP10000399 | A | |
| 2 | GRILLE AVANT FRONT GRID | PBT GF 15 | GRIS GREY | PP10000400 | A | |
| 2 | GRILLE AVANT FRONT GRID | PBT GF 15 | MARRON BROWN | PP10000401 | A | |
| 2 | GRILLE AVANT FRONT GRID | PBT GF 15 | BLEU BLUE | PP10000403 | A | |
| 1 | ISOLANT PORTE-CLIPS FEMALE HOUSING | PBT GF 15 | NOIR BLACK | PP10000413 | C | |

| CODAGE NOIR BLACK CODING | | | | CODAGE GRIS GREY CODING | | CODAGE MARRON BROWN CODING | | CODAGE BLEU BLUE CODING | |
|-----------------------------|--|-----------------|--|----------------------------|--|-------------------------------|--|----------------------------|--|
| 4.60 ± 0.10 | | 9.40 ± 0.10 | | 6.20 ± 0.10 | | 7.80 ± 0.10 | | 7.80 ± 0.10 | |
| 4.60 ± 0.10 | | 6.20 ± 0.10 | | 6.20 ± 0.10 | | 9.40 ± 0.10 | | 9.40 ± 0.10 | |
| GAUCHE LEFT | | DROITE RIGHT | | GAUCHE LEFT | | DROITE RIGHT | | GAUCHE LEFT | |
| 13741940 | | 13851306 | | 33500507 | | 33500494 | | 33500495 | |
| 01 | | 01 | | 01 | | 01 | | 01 | |
| PP10001487 | | PP10001488 | | PP10001506 | | PP10001489 | | PP10001490 | |
| C | | C | | C | | C | | C | |



| PRINCIPALES PROPRIETES MECANIKES MAIN MECHANICAL PROPERTIES | | CT 0.635 | CT 15 |
|--|--|-------------------|-----------|
| FORCE D'INSERTION D'UN CONTACT TERMINAL INSERTION FORCE | | 10N MAXI | 12N MAXI |
| EFFORT DE POLARISATION D'UN CONTACT A 90° ET 180° TERMINAL POLARISATION FORCE AT 90° AND 180° | | 24 MINI | 30 MINI |
| EFFORT DE RETENTION AVEC DV RETENTION FORCE WITH SECONDARY LOCK | | 80N MINI | 100N MINI |
| EFFORT SUR LE LEVIER D'ACCROUPEMENT PC/PL UNMATING FORCE ON THE SLIDER DEVICE | | 65N MAXI | |
| EFFICACITE DE VERROUILLAGE FULL ENGAGED EFFICIENCY | | 200N MINI | |
| CLASSE DE TEMPERATURE OPERATING TEMPERATURE | | -40°C / +125°C | |
| CLASSE DE VIBRATIONS VIBRATION CLASS | | 15 g | |
| CLASSE D'ETANCHEITE SEALING CLASS | | ±0.5 Bar IPX9K | |

| | | | |
|---------------------------------|--|--|---|
| ECN-NO. NUMBER ECN | POSITION | CHANGE DESCRIPTION MODIFICATION | |
| PROJET SPEC. SPECIF. PRODUIT | PACKAGING SPEC. SPECIF. CONDITIONNEMENT | APPLICATION SPEC. SPECIF. APPLICATION | COPYRIGHT DELPHI CORPORATION AND/OR ITS AFFILIATES. ALL RIGHTS RESERVED. REVISED THIS DRAWING IS THE PROPERTY OF DELPHI CORPORATION AND CONTAINS DELPHI CONFIDENTIAL INFORMATION. THE REPRODUCTION, DISTRIBUTION AND RELEASE OF THIS DOCUMENT TO OTHERS, WITHOUT EXPRESS AUTHORIZATION, IS PROHIBITED. DE TOUT CONTINER A AUTRES, SANS AUTORISATION ECRITE, EST INTERDIT. |
| DESIGNED BY CONCEPTEUR | DATE | TITLE DESIGNATION | PROJETS PROJECT |
| DRAWING NUMBER REF. PLAN | REV. NO. | REV. DATE | REV. BY |
| PCC0423288 | | H | |
| CMC PROJECT | | See Table | |