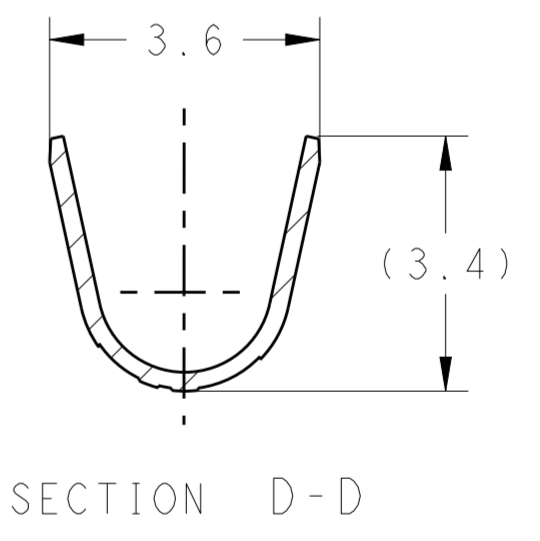
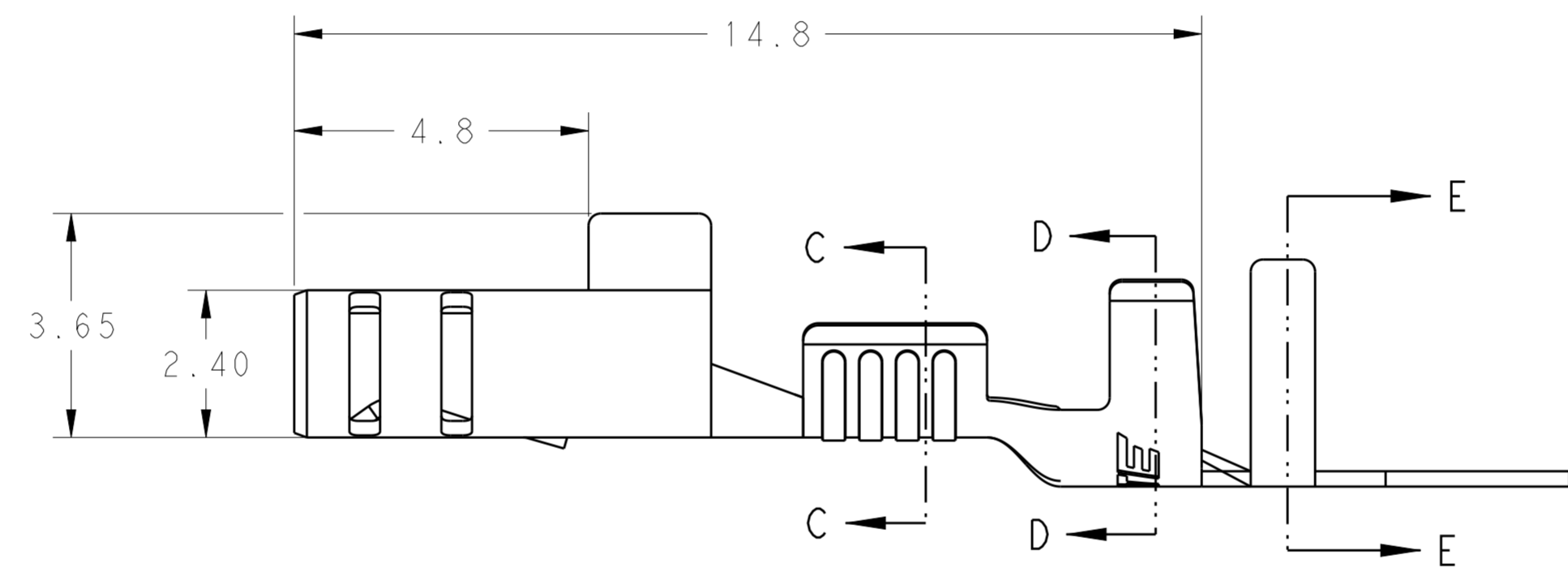
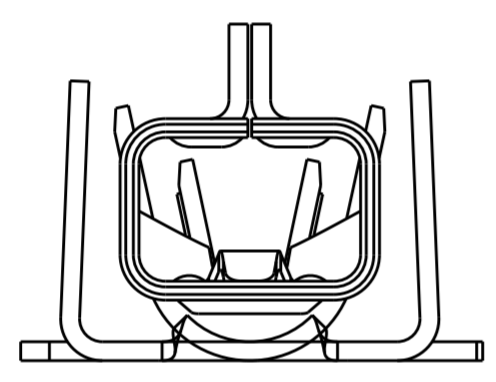
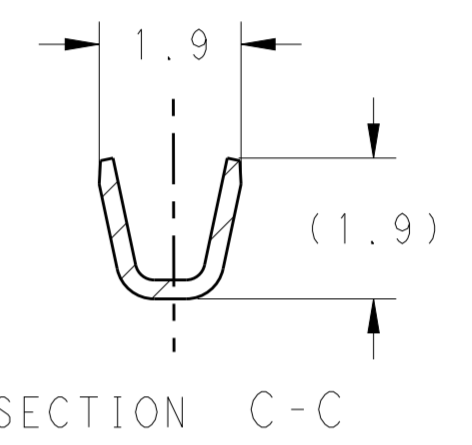
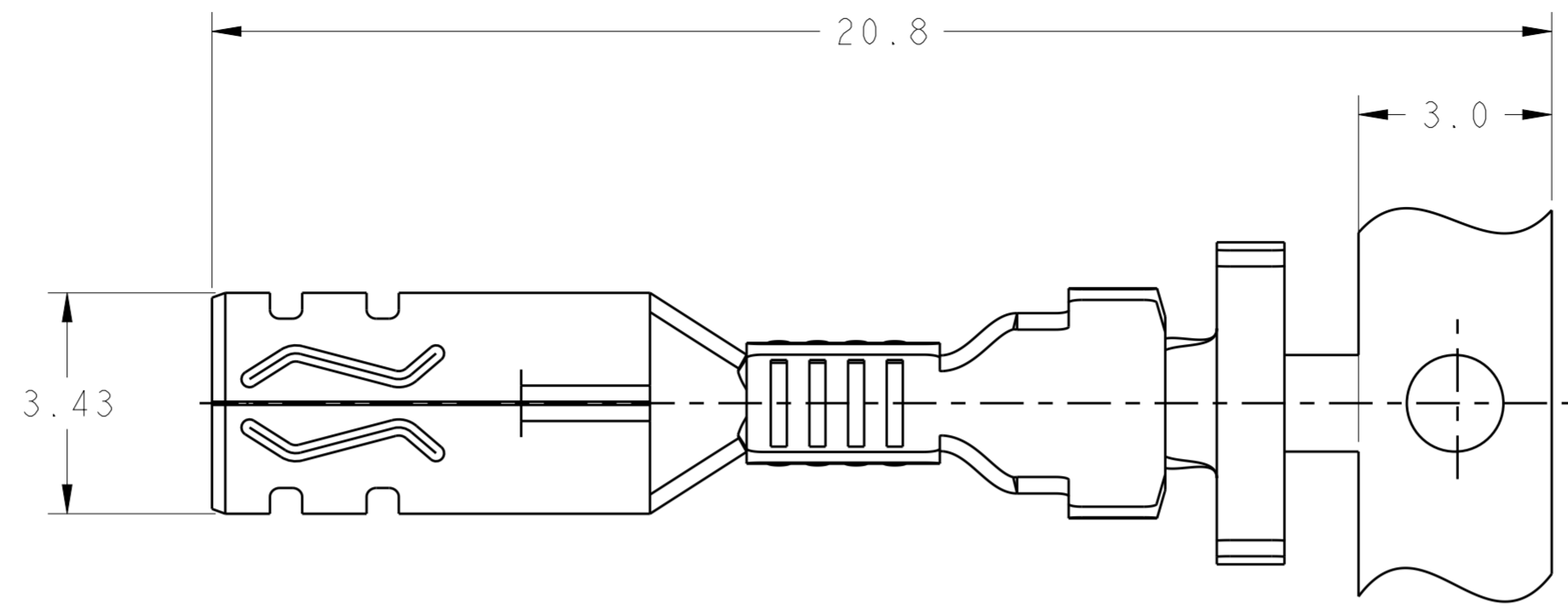
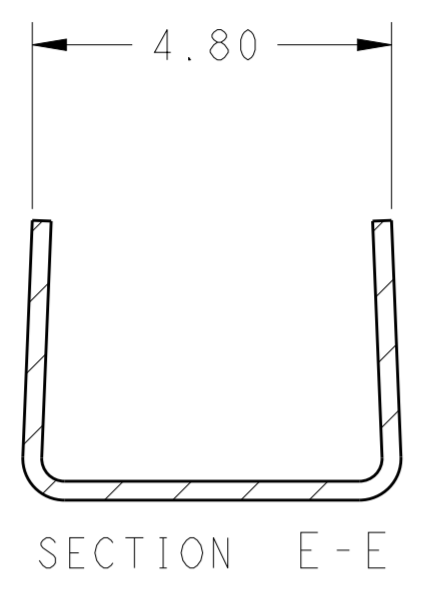
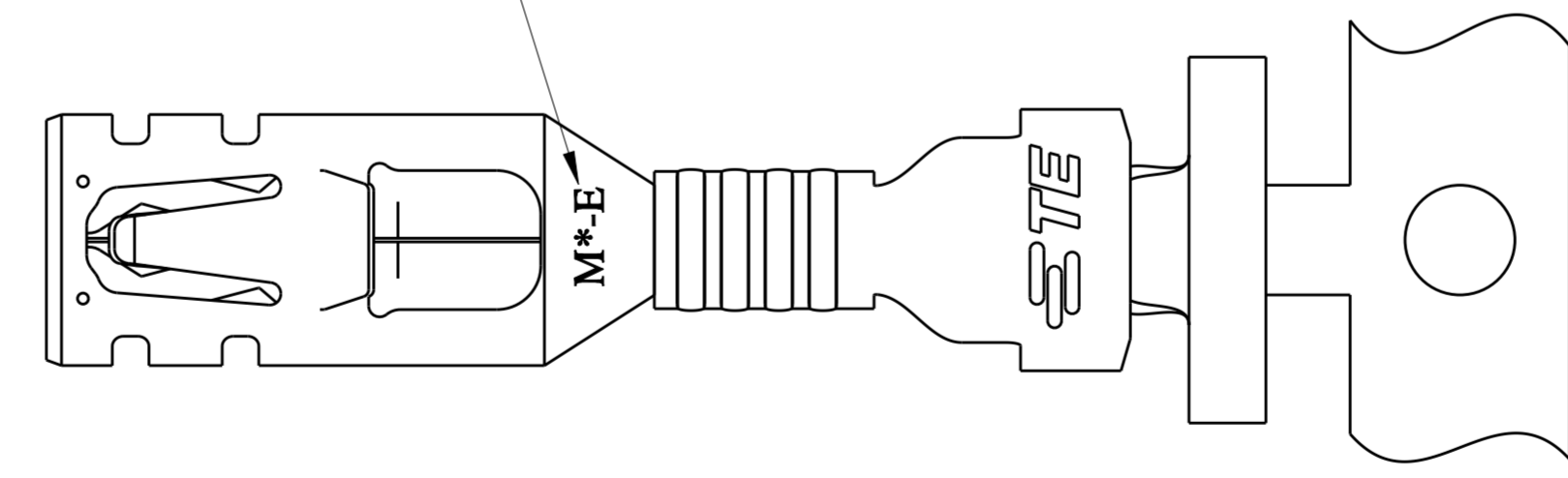


THIS DRAWING IS UNPUBLISHED. RELEASED FOR PUBLICATION 20
 © COPYRIGHT 20 BY - ALL RIGHTS RESERVED.

LOC	DIST	REVISIONS					
ES	00	P	LTR	DESCRIPTION	DATE	DWN	APVD
		D		REVISED PER ECO-16-013278	09SEP2016	RS	GJ
		D1		REVISED PER ECO-18-005618	13APR2018	BKW	GJ
		E		REVISED PER ECO-18-011211	05SEP2018	BKW	GJ



4 MATERIAL/SIZE MARK



- 1 APPLICABLE WIRE: 20-24 AWG COPPER STRANDED
- 2 RECOMMENDED INSULATION DIAMETER: 1.43-2.70mm. INSULATION < 1.76mm REQUIRES AN APPLICATOR WITH AN OVERLAP INSULATION CRIMPER.
- 3 APPLICABLE MATED PLUG HOUSING P/N:
 -1971773-/*-1971776-*/*-1971876-*/
 -2232265-/*-2232266-*/*-2232357-*

4 WIRE SIZE INDICATOR "E"=20-24 AWG

5 THIS PRODUCT HAS NOT COMPLETED VALIDATION TESTING.

COPPER ALLOY	HIGH(150°C)	M0-E	1971785-2
PHOS BRONZE	STANDARD(105°C)	M1-E	1971785-1
MATERIAL	TEMP. RATING	4 MATERIAL/SIZE MARK	PART NO

THIS DRAWING IS A CONTROLLED DOCUMENT.

DIMENSIONS: mm	TOLERANCES UNLESS OTHERWISE SPECIFIED: 0 PLC ±0.5 1 PLC ±0.30 2 PLC ±0.30 3 PLC ±0.30 4 PLC ±0.30 ANGLES ± FINISH PRE-TIN	DWN TOMMY WU 11JUL2012 CHK HAPYE WU 11JUL2012 APVD YUHONG MAO 11JUL2012	NAME RECEPTACLE CONTACT POWER TRIPLE LOCK
MATERIAL SEE TABLE	PRODUCT SPEC 108-106118 APPLICATION SPEC 114-106118	SIZE A2100779	DRAWING NO 1971785
Customer Drawing	SCALE 6:1	SHEET 1 OF 1	REV E