

THIS DRAWING IS UNPUBLISHED.

RELEASED FOR PUBLICATION

© COPYRIGHT - By -

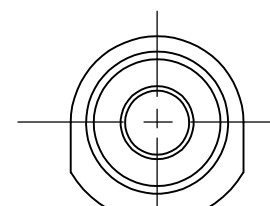
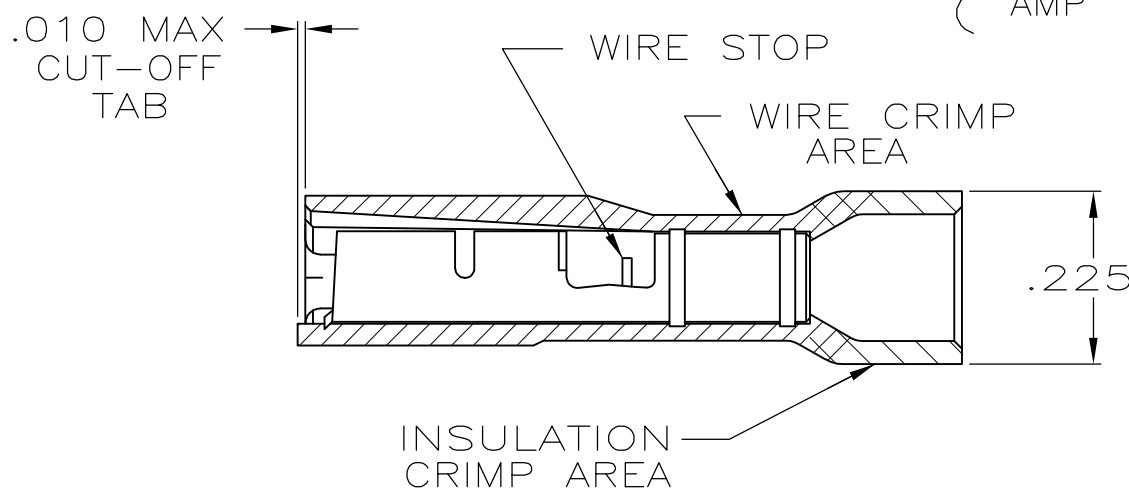
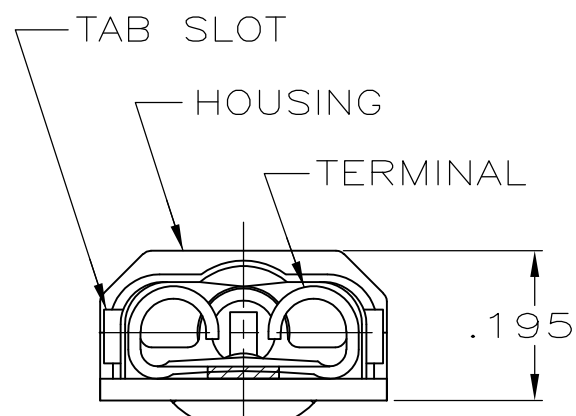
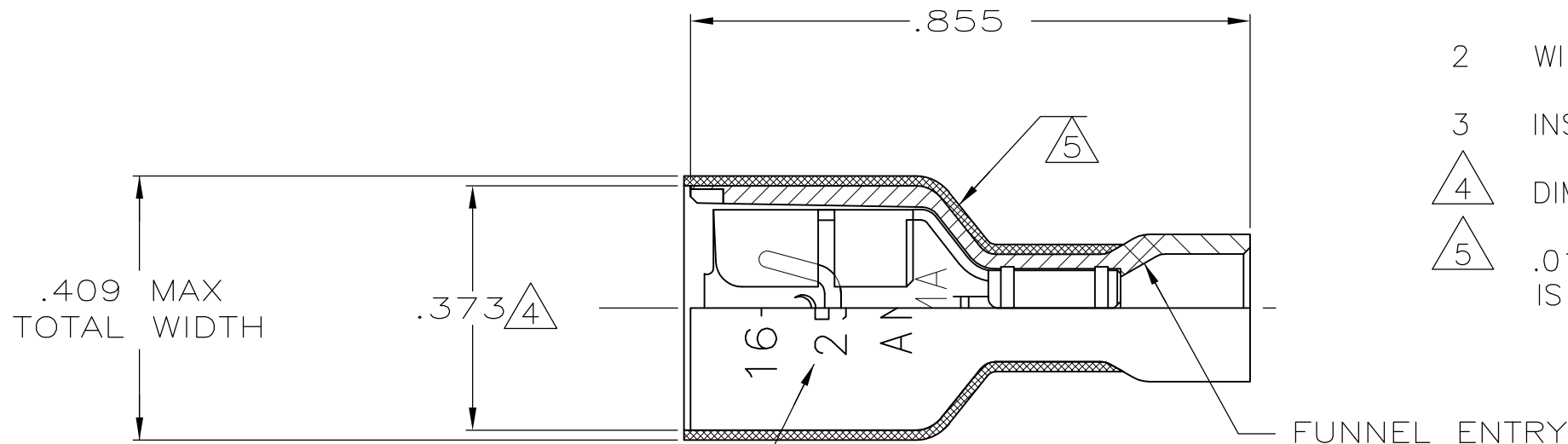
ALL RIGHTS RESERVED.

LOC
AF 50

REVISIONS

P	LTR	DESCRIPTION	DATE	DWN	APVD
	K	REVISED PER ECR-13-004343	30JUL13	KH	KR

- 1 MATES WITH .032±.001x.250 TAB
- 2 WIRE STRIP LENGTH .281
- 3 INSULATION SIZE .090-.160 MAX DIA
- △4 DIMENSION DOES NOT INCLUDE TRIM BURR
- △5 .015 MAX CARRIER TRIM BURR PER SIDE IS ALLOWABLE IN THE SHADED AREA



HOUSING: NYLON, COLOR-BLUE TRANSLUCENT
 RECEPTACLE: BRASS
 TIN

3-520408-2

MATERIAL & FINISH

PART NO

THIS DRAWING IS A CONTROLLED DOCUMENT.

DWN P FORTNEY 10/27/88

CHK MS FEHER 11/14/88

APVD K RANDOLPH 11/14/88

PRODUCT SPEC

108-2044

APPLICATION SPEC

114-2123

WEIGHT -

STE TE Connectivity

RECEPTACLE ASSY, ULTRA-FAST PLUS,
LOOSE PIECE, .250 SERIES, 16-14 AWG

SIZE	CAGE CODE	DRAWING NO	RESTRICTED TO
A3	00779	C-520408	-

DIMENSIONS: INCHES	TOLERANCES UNLESS OTHERWISE SPECIFIED:
	0 PLC ± -
	1 PLC ± -
	2 PLC ± -
	3 PLC ± .015
	4 PLC ± -
ANGLES ± -	± -
MATERIAL SEE TABLE	FINISH SEE TABLE

CUSTOMER DRAWING SCALE 4:1 SHEET 1 OF 1 REV K