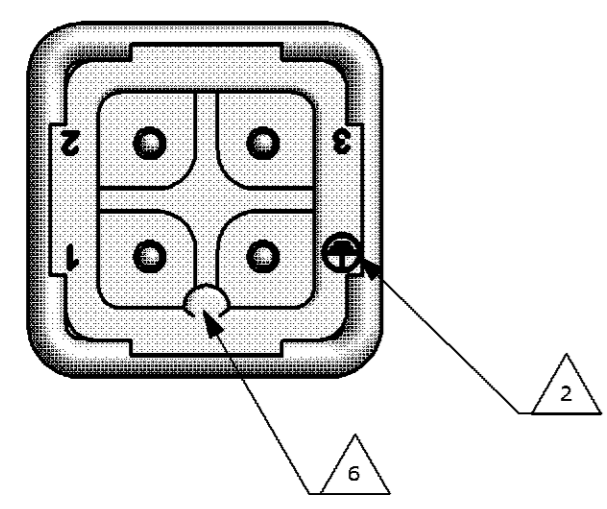


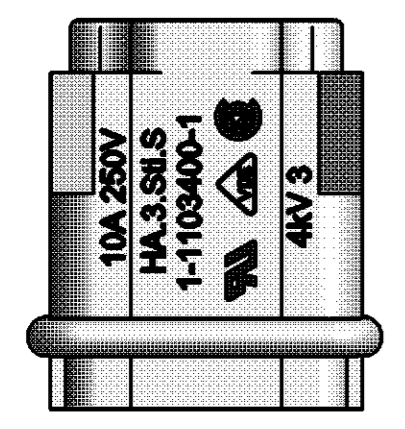
NOTES

- 1 CONTACT: 1 TO 3
SUITABLE SCREW CONTACTS: SERIES HA.3
OUTER DIMENSIONS OF INSULATION: MAX. Ø3,4 MM
- 2 GROUNDING CONTACT:
SUITABLE SCREW CONTACTS: SERIES HA.3
OUTER DIMENSIONS OF INSULATION: MAX. Ø3,4 MM
- 3 SUITABLE HOOD SIZE 1: SERIES HA; HD; EMV AND HIP
- 4 SUITABLE INSERTION AND EXTRACTION TOOL:
SCREWDRIVER 2,0x65
- 5 STANDARDS:
DIN EN 61984; DIN EN 60664-1
- 6 POLARIZATION RIPS
- 7 POS. 8 AND POS.9 PACKED SEPARATE IN POLY BAG
- 8 AUTHORIZATION: UL; CSA; VDE; SEV
- 9 PACKAGING:
10 SETS IN A CARTON, PRE-MOUNTED
- 10 PACKAGING
200 PIECES IN A KANN-BAN BOT

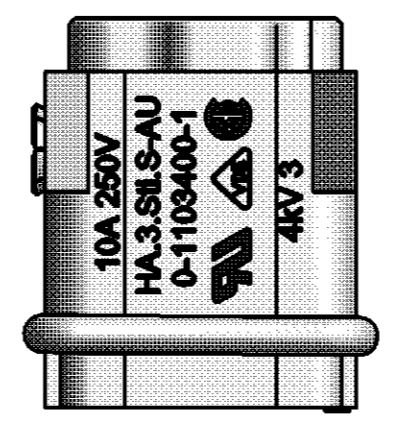
CONTACT ARRANGEMENT
VIEW FROM CONECTING SIDE



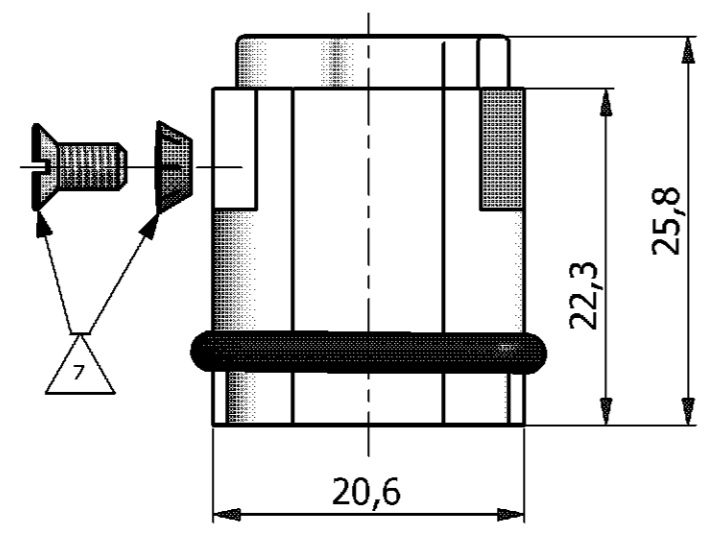
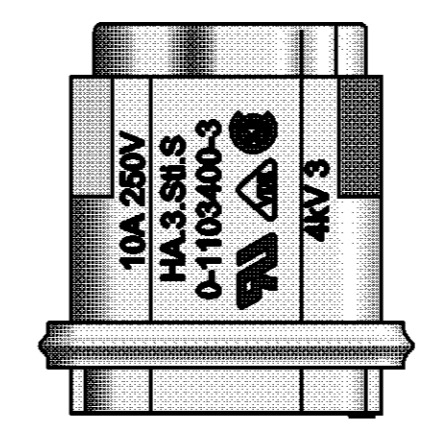
LATERAL PRINT
PN 1-1 / 0-2



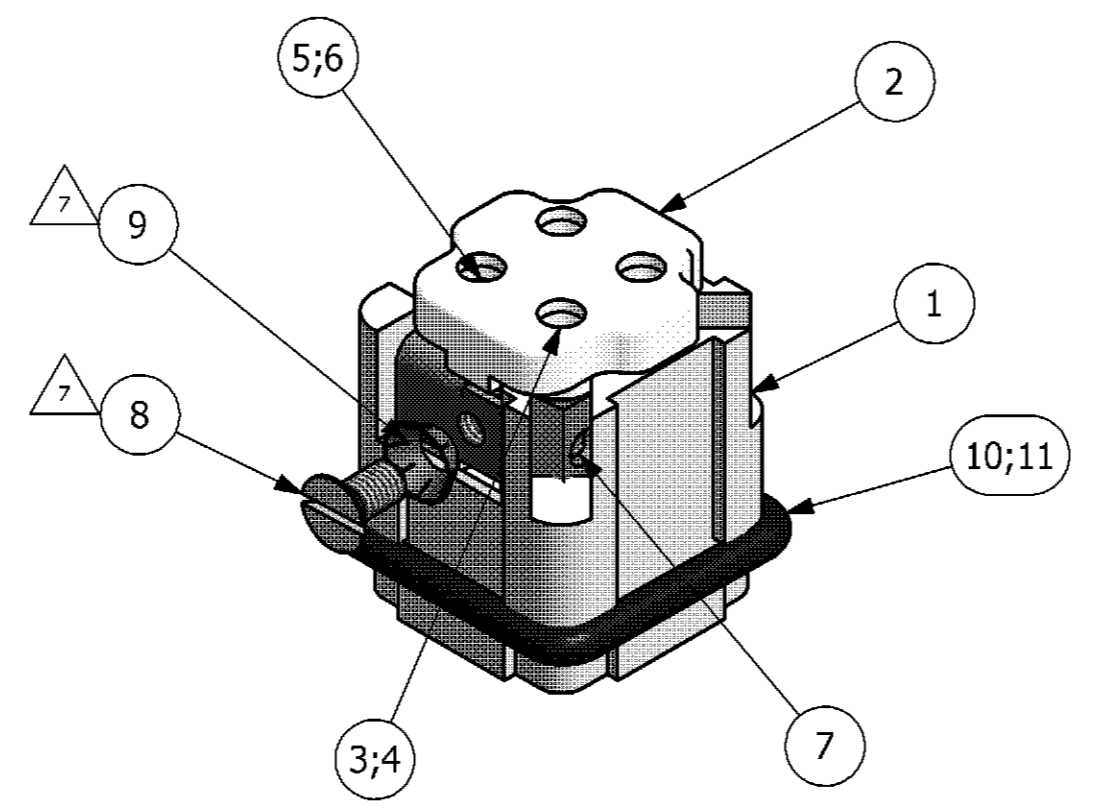
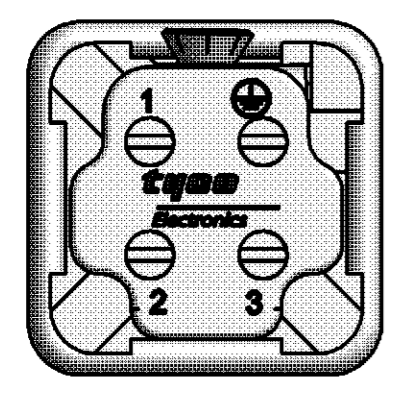
LATERAL PRINT
PN 0-1



LATERAL PRINT
PN 0-3



CONTACT ARRANGEMENT
VIEW FROM TERMINATION SIDE



QTY	DESCRIPTION	MATERIAL	SURFACE	COLOR	ITEM	NOTES			
1	PROFILE SEAL	NEOPRENE		BLACK	11	CONDUCTIVE			
1	PROFILE SEAL	NEOPRENE		BLACK	10				
1	SPRING WASHER	STEEL	ZINK PLATED		9	V3.2			
1	SLOTTED COUNTER FLAT HEAD SCREW	STEEL	ZINK PLATED		8	M3x6			
4	SLOTTED CHEESE HEAD SCREW	BRASS	NICKEL PLATED		7	M3x5.5			
1	EARTING CONTACT PIN WITH ANGLE	BRASS	GOLD PLATED		6				
1	EARTING CONTACT PIN WITH ANGLE	BRASS	SILVER PLATED		5				
3	CONTACT PIN	BRASS	GOLD PLATED		4				
3	CONTACT PIN	BRASS	SILVER PLATED		3				
1	COVER	PC		BEIGE	2				
1	MALE INSERT	PC		BEIGE	1				
0-3	0-2	0-1	1-1	DESCRIPTION	MATERIAL	SURFACE	COLOR	ITEM	NOTES
				HA.3.Sti.S					
				HA.3.Sti.S-AU					
				HA.3.Sti.S-KM					
				HA.3.Sti.S					

THIS DRAWING IS A CONTROLLED DOCUMENT FOR AMP INCORPORATED. IT IS SUBJECT TO CHANGE AND THE CONTROLLING ORGANIZATION SHALL BE RESPONSIBLE FOR THE REVISIONS. DIESE ZEICHNUNG IST EIN KONTROLLIERTES DOKUMENT FÜR AMP INCORPORATED. ES IST AN DER VERANTWORTUNG DER ORGANISATION, DIE FÜR DIE REVISIONEN VERANTWORTLICH IST. DIE JEWEILIGEN LETZTGÜLTIGEN ÄNDERUNGSSTAND ERFAHREN SIE AUF ANFRAGE.

DWN SCHNEIDER 24.09.1999
CHK KRAMER 24.09.1999
APVD T.SCHNURPFEL 27.03.2006

NAME: MALE INSERT
HA.3.STI.S

PRODUCT SPEC. 108-74055
APPLICATION SPEC. 114-74056

WEIGHT 0,0012 KG
SCALE A2
CAGE CODE 00779

DRAWING NO. 1103400
RESTRICTED TO NUR FÜR

CUSTOMER DRAWING / KUNDENZEICHNUNG
SCALE 1:1
SHEET 1 OF 1
REV. C2