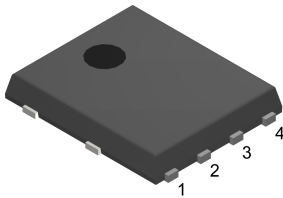
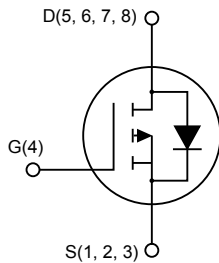


P-channel 30 V, 24 mΩ typ., 9 A STripFET F6 DeepGATE Power MOSFET in a PowerFLAT 5x6 package


PowerFLAT 5x6


AM01475v4


Product status link
[STL30P3LLH6](#)
Product summary

Order code	STL30P3LLH6
Marking	30P3L
Package	PowerFLAT 5x6
Packing	Tape and reel

Features

Order code	V _{DS}	R _{DS(on)} max.	I _D	P _{TOT}
STL30P3LLH6	30 V	30 mΩ	9 A	4.8 W

- Very low on-resistance
- Very low gate charge
- High avalanche ruggedness
- Low gate drive power loss

Applications

- Switching applications

Description

This device is a P-channel Power MOSFET developed using the STripFET F6 technology, with a new trench gate structure. The resulting Power MOSFET exhibits very low R_{DS(on)} in all packages.

1 Electrical ratings

Table 1. Absolute maximum ratings

Symbol	Parameter	Value	Unit
V_{DS}	Drain-source voltage	30	V
V_{GS}	Gate-source voltage	± 20	V
$I_D^{(1)}$	Drain current (continuous) at $T_C = 25\text{ }^\circ\text{C}$	30	A
	Drain current (continuous) at $T_C = 100\text{ }^\circ\text{C}$	18.75	A
$I_D^{(2)}$	Drain current (continuous) at $T_{pcb} = 25\text{ }^\circ\text{C}$	9	A
	Drain current (continuous) at $T_{pcb} = 100\text{ }^\circ\text{C}$	6.4	A
$I_{DM}^{(2)(3)}$	Drain current (pulsed)	36	A
$P_{TOT}^{(1)}$	Total power dissipation at $T_C = 25\text{ }^\circ\text{C}$	75	W
$P_{TOT}^{(2)}$	Total power dissipation at $T_{pcb} = 25\text{ }^\circ\text{C}$	4.8	W
	Derating factor ⁽²⁾	0.03	W/°C
T_{stg}	Storage temperature range	-55 to 175	°C
T_J	Operating junction temperature range	175	°C

1. This value is rated according to R_{thj-c} .
2. This value is rated according to $R_{thj-pcb}$.
3. Pulse width is limited by safe operating area.

Table 2. Thermal data

Symbol	Parameter	Value	Unit
$R_{thj-case}$	Thermal resistance junction-case max	2.00	°C/W
$R_{thj-pcb}^{(1)}$	Thermal resistance junction-pcb, single operation	31.3	°C/W

1. When mounted on an FR-4 board of 1 inch², 2oz Cu, steady state.

Note: For the P-channel Power MOSFETs the actual polarity of the voltages and the current must be reversed.

2 Electrical characteristics

$T_C = 25\text{ °C}$ unless otherwise specified

Table 3. On/off states

Symbol	Parameter	Test conditions	Min.	Typ.	Max.	Unit
$V_{(BR)DSS}$	Drain-source breakdown voltage	$V_{GS} = 0\text{ V}$, $I_D = 250\text{ }\mu\text{A}$	30			V
I_{DSS}	Zero gate voltage drain current	$V_{GS} = 0\text{ V}$, $V_{DS} = 30\text{ V}$			1	μA
		$V_{GS} = 0\text{ V}$, $V_{DS} = 30\text{ V}$, $T_C = 125\text{ °C}$			10	μA
I_{GSS}	Gate-body leakage current	$V_{DS} = 0\text{ V}$, $V_{GS} = \pm 20\text{ V}$			± 100	nA
$V_{GS(th)}$	Gate threshold voltage	$V_{DS} = V_{GS}$, $I_D = 250\text{ }\mu\text{A}$	1			V
$R_{DS(on)}$	Static drain-source on-resistance	$V_{GS} = 10\text{ V}$, $I_D = 4.5\text{ A}$		24	30	m Ω
		$V_{GS} = 4.5\text{ V}$, $I_D = 4.5\text{ A}$		32	40	m Ω

Table 4. Dynamic

Symbol	Parameter	Test conditions	Min.	Typ.	Max.	Unit
C_{iss}	Input capacitance	$V_{GS} = 0\text{ V}$, $V_{DS} = 25\text{ V}$, $f = 1\text{ MHz}$	-	1450	-	pF
C_{oss}	Output capacitance		-	178	-	pF
C_{rSS}	Reverse transfer capacitance		-	120	-	pF
Q_g	Total gate charge	$V_{DD} = 24\text{ V}$, $I_D = 9\text{ A}$, $V_{GS} = 4.5\text{ V}$ (see Figure 13. Gate charge test circuit)	-	12	-	nC
Q_{gs}	Gate-source charge		-	4.4	-	nC
Q_{gd}	Gate-drain charge		-	5	-	nC

Table 5. Switching times

Symbol	Parameter	Test conditions	Min.	Typ.	Max.	Unit
$t_{d(on)}$	Turn-on delay time	$V_{DD} = 24\text{ V}$, $I_D = 4.5\text{ A}$, $R_G = 4.7\text{ }\Omega$, $V_{GS} = 10\text{ V}$ (see Figure 12. Switching times test circuit for resistive load)	-	15	-	ns
t_r	Rise time		-	15	-	ns
$t_{d(off)}$	Turn-off delay time		-	24	-	ns
t_f	Fall time		-	21	-	ns

Note: For the P-channel Power MOSFETs the actual polarity of the voltages and the current must be reversed.

Table 6. Source-drain diode

Symbol	Parameter	Test conditions	Min.	Typ.	Max.	Unit
I_{SD}	Source-drain current		-		9	A
$I_{SDM}^{(1)}$	Source-drain current (pulsed)		-		36	A
$V_{SD}^{(2)}$	Forward on voltage	$V_{GS} = 0\text{ V}$, $I_{SD} = 4.5\text{ A}$	-		1.1	V
t_{rr}	Reverse recovery time	$I_{SD} = 4.5\text{ A}$, $di/dt = 100\text{ A}/\mu\text{s}$,	-	15		ns
Q_{rr}	Reverse recovery charge	$V_{DD} = 16\text{ V}$, $T_J = 150\text{ }^\circ\text{C}$	-	6.5		nC
I_{RRM}	Reverse recovery current	(see Figure 14. Test circuit for inductive load switching and diode recovery times)	-	0.9		A

1. Pulse width is limited by safe operating area.

2. Pulsed: pulse duration = 300 μs , duty cycle 1.5%.

Note: For the P-channel Power MOSFETs the actual polarity of the voltages and the current must be reversed.

2.1 Electrical characteristics (curves)

Figure 1. Safe operating area

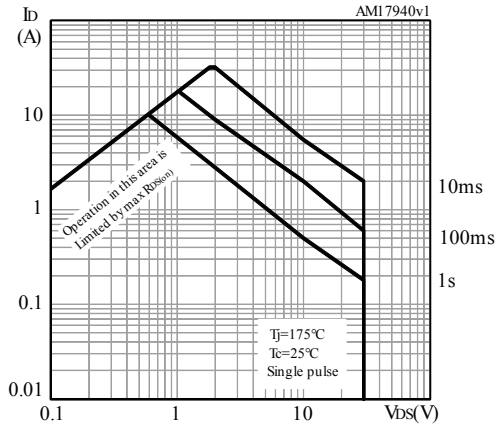


Figure 2. Thermal impedance

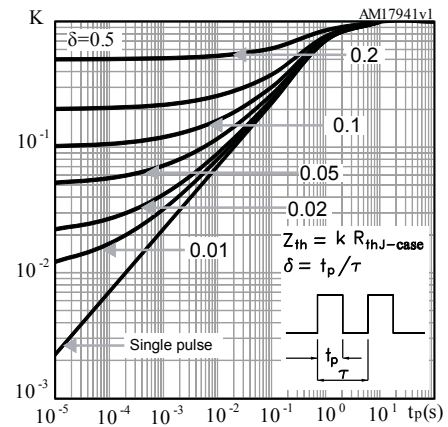


Figure 3. Output characteristics

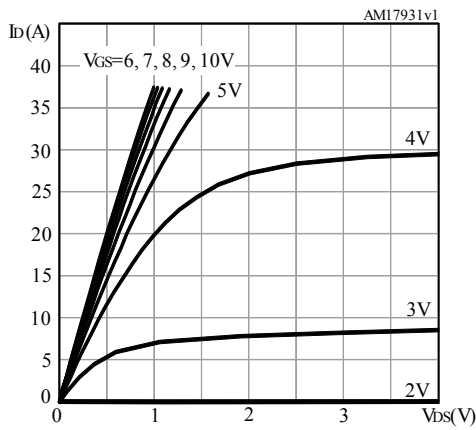


Figure 4. Transfer characteristics

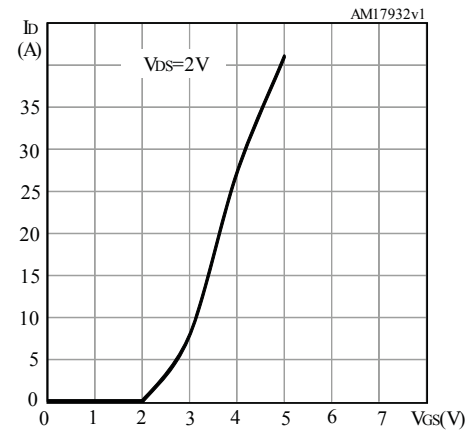


Figure 5. Gate charge vs gate-source voltage

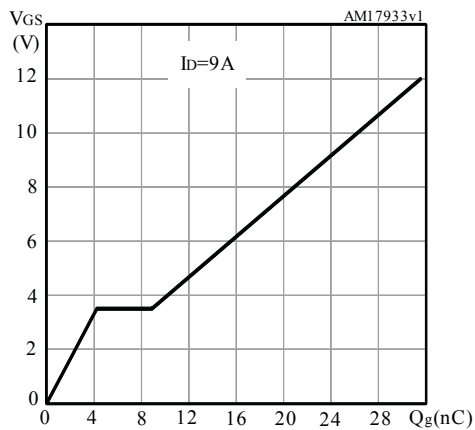


Figure 6. Static drain-source on-resistance

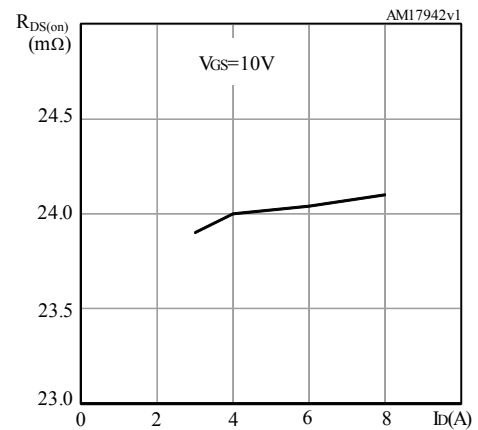


Figure 7. Capacitance variations

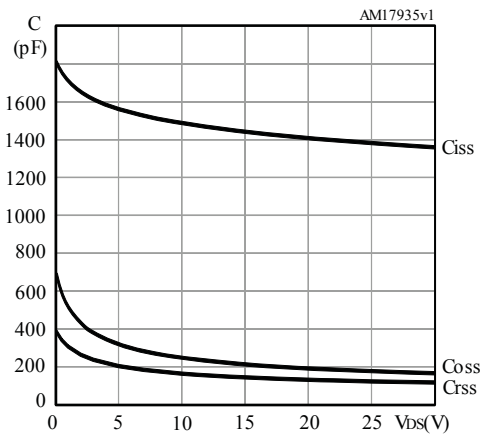


Figure 8. Normalized gate threshold voltage vs temperature

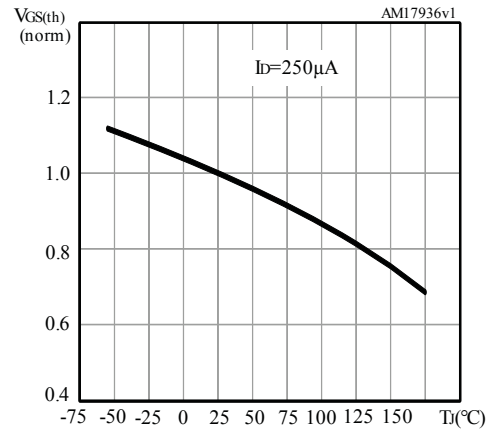


Figure 9. Normalized on-resistance vs temperature

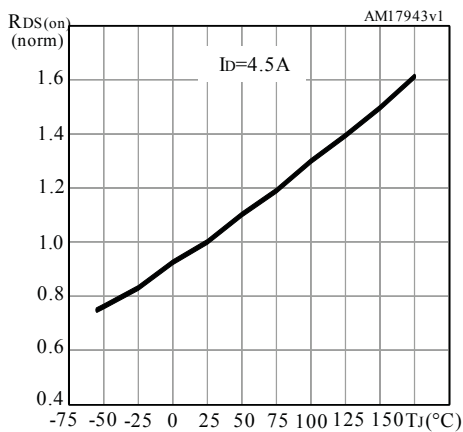


Figure 10. Normalized V_{DS} vs temperature

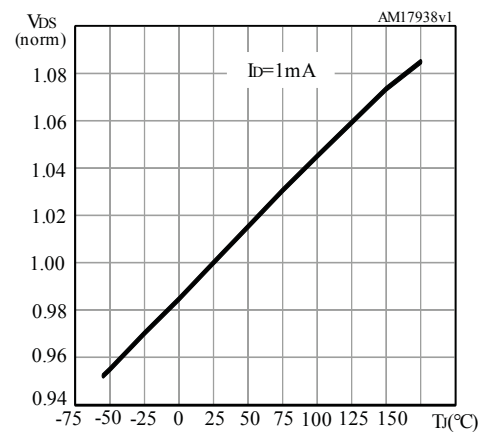
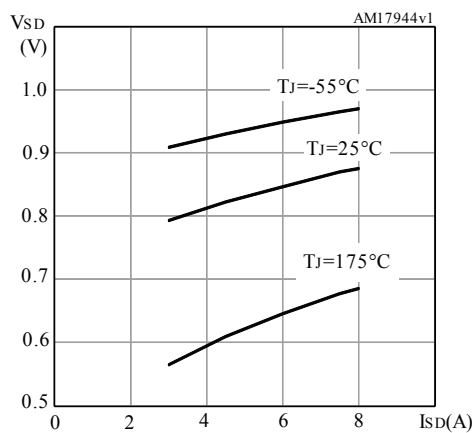
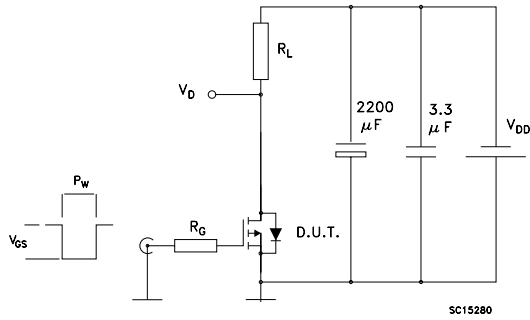
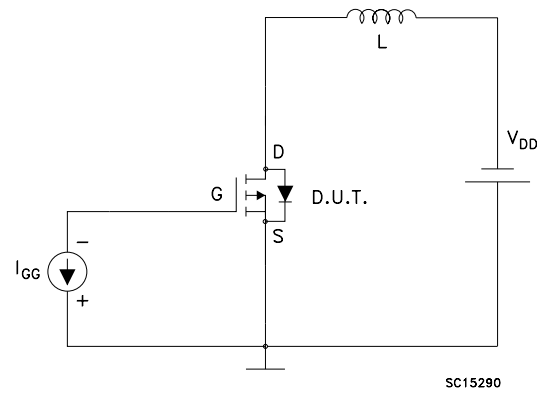
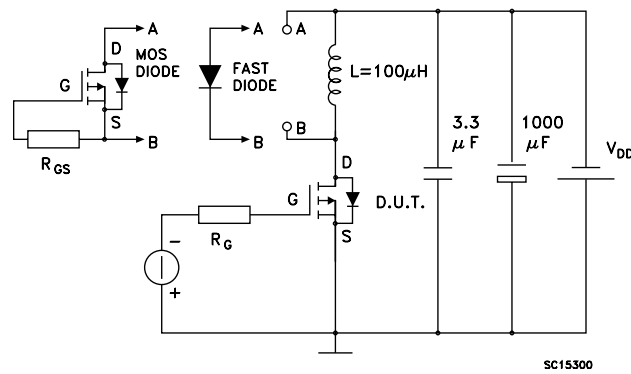


Figure 11. Source-drain diode forward characteristics



3 Test circuits

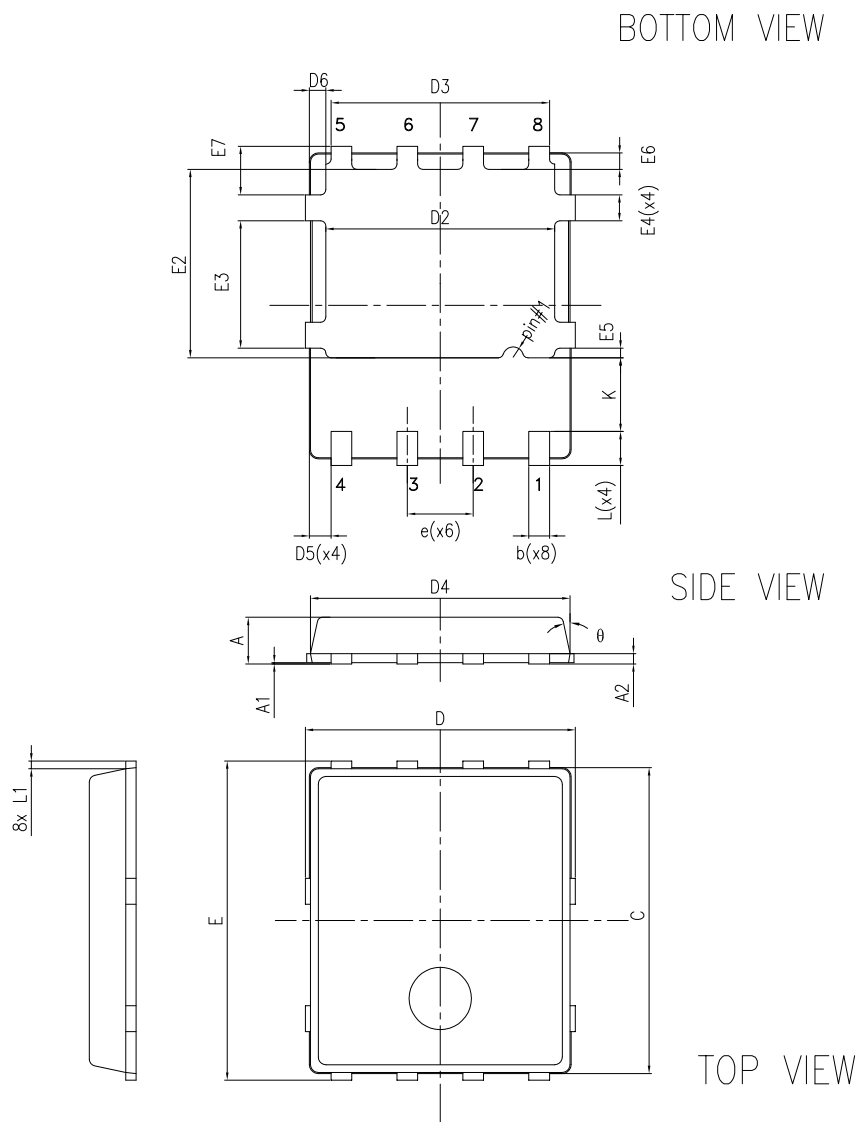
Figure 12. Switching times test circuit for resistive load

Figure 13. Gate charge test circuit

Figure 14. Test circuit for inductive load switching and diode recovery times


4 Package information

In order to meet environmental requirements, ST offers these devices in different grades of **ECOPACK** packages, depending on their level of environmental compliance. ECOPACK specifications, grade definitions and product status are available at: www.st.com. ECOPACK is an ST trademark.

4.1 PowerFLAT 5x6 type R package information

Figure 15. PowerFLAT 5x6 type R package outline



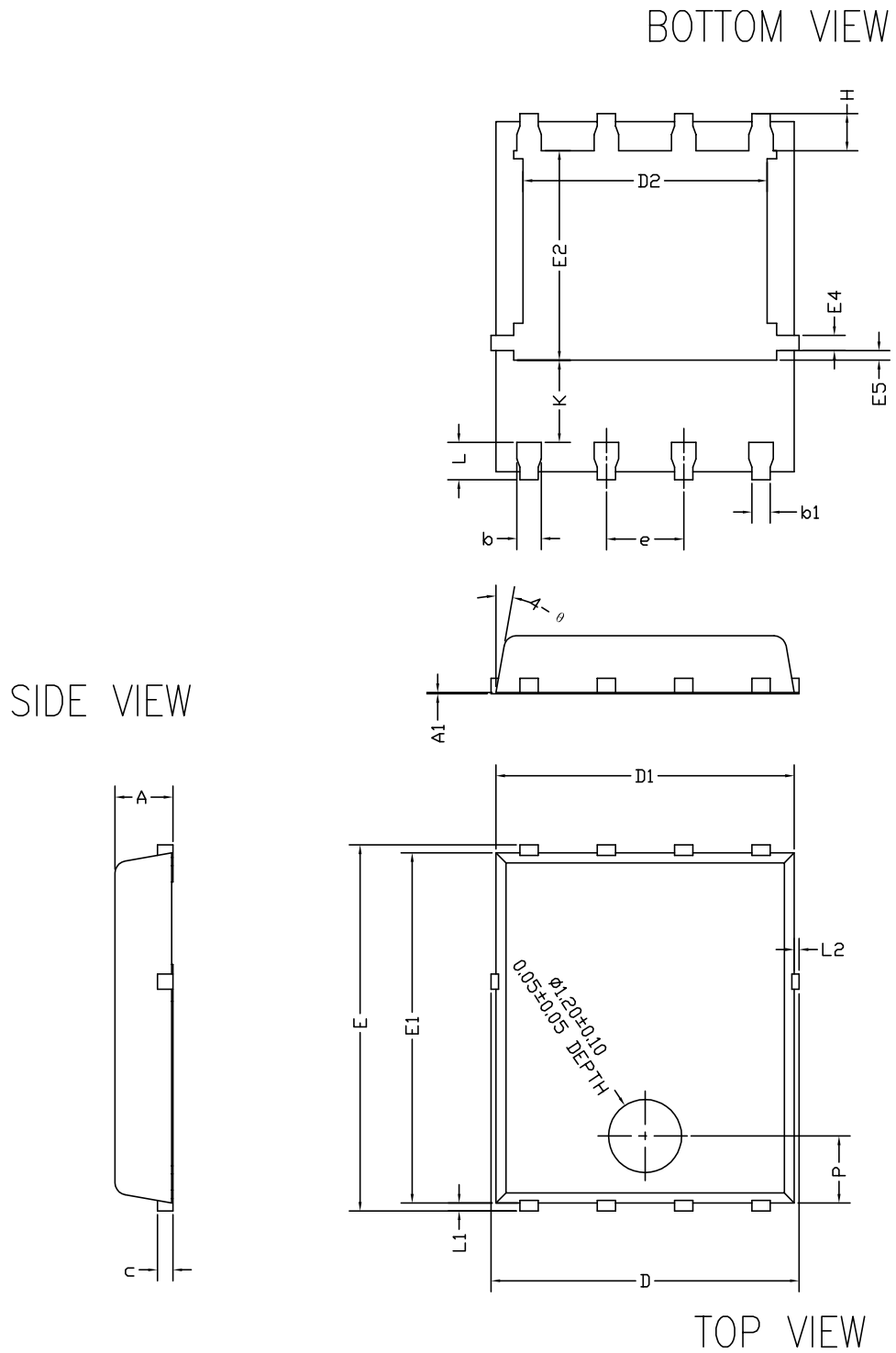
A0ER_8231817_Rev20

Table 7. PowerFLAT 5x6 type R mechanical data

Dim.	mm		
	Min.	Typ.	Max.
A	0.80		1.00
A1	0.02		0.05
A2		0.25	
b	0.30		0.50
C	5.80	6.00	6.20
D	5.00	5.20	5.40
D2	4.15		4.45
D3	4.05	4.20	4.35
D4	4.80	5.00	5.20
D5	0.25	0.40	0.55
D6	0.15	0.30	0.45
e		1.27	
E	5.95	6.15	6.35
E2	3.50		3.70
E3	2.35		2.55
E4	0.40		0.60
E5	0.08		0.28
E6	0.20	0.325	0.45
E7	0.75	0.90	1.05
K	1.275		1.575
L	0.60		0.80
L1	0.05	0.15	0.25
θ	0°		12°

4.2 PowerFLAT 5x6 type R SUBCON package information

Figure 16. PowerFLAT 5x6 type R SUBCON package outline

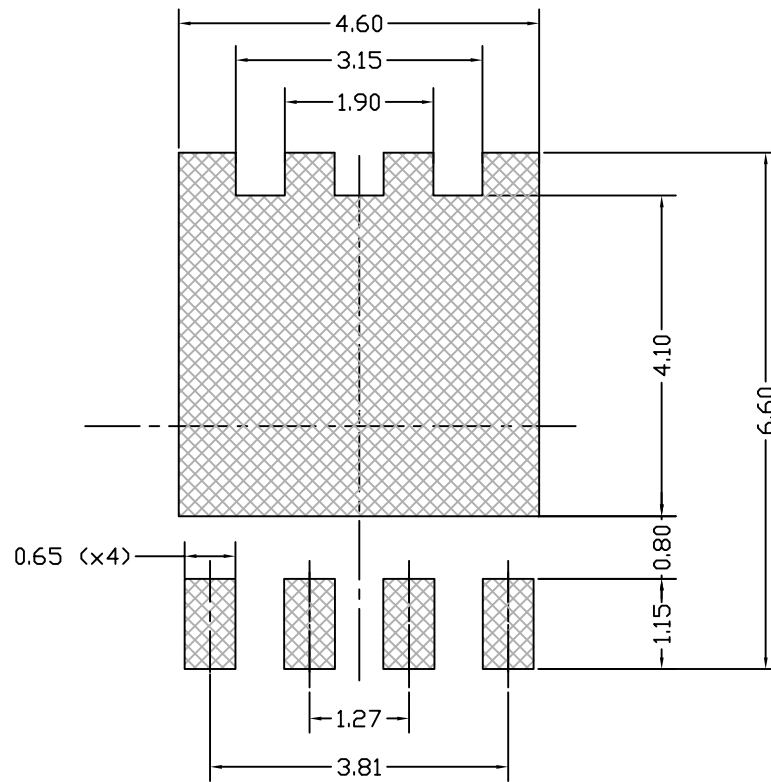


8472137_SUBCON_998G_Type_R_REV4

Table 8. PowerFLAT 5x6 type R SUBCON package mechanical data

Dim.	mm		
	Min.	Typ.	Max.
A	0.90	0.95	1.00
A1		0.02	
b	0.35	0.40	0.45
b1		0.30	
c	0.21	0.25	0.34
D			5.10
D1	4.80	4.90	5.00
D2	3.91	4.01	4.11
e	1.17	1.27	1.37
E	5.90	6.00	6.10
E1	5.70	5.75	5.80
E2	3.34	3.44	3.54
E4	0.15	0.25	0.35
E5	0.06	0.16	0.26
H	0.51	0.61	0.71
K	1.10		
L	0.51	0.61	0.71
L1	0.06	0.13	0.20
L2			0.10
P	1.00	1.10	1.20
θ	8°	10°	12°

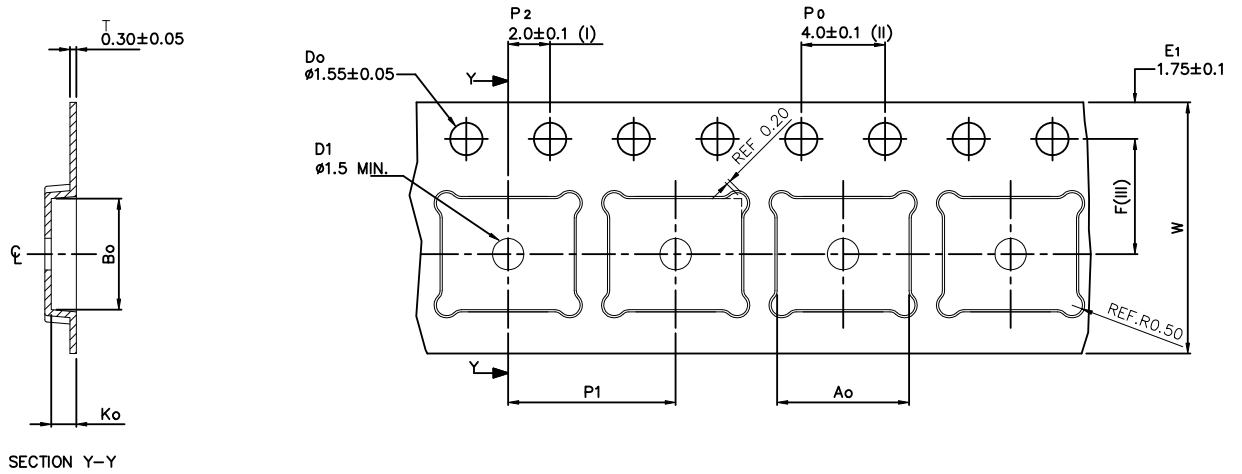
Figure 17. PowerFLAT 5x6 recommended footprint (dimensions are in mm)



8231817_FOOTPRINT_simp_Rev_20

4.3 PowerFLAT 5x6 packing information

Figure 18. PowerFLAT 5x6 tape (dimensions are in mm)



A ₀	6.30 +/- 0.1
B ₀	5.30 +/- 0.1
K ₀	1.20 +/- 0.1
F	5.50 +/- 0.1
P ₁	8.00 +/- 0.1
W	12.00 +/- 0.3

(I) Measured from centreline of sprocket hole to centreline of pocket.

(II) Cumulative tolerance of 10 sprocket holes is ± 0.20 .

(III) Measured from centreline of sprocket hole to centreline of pocket

Base and bulk quantity 3000 pcs
All dimensions are in millimeters

8234350_Tape_rev_C

Figure 19. PowerFLAT 5x6 package orientation in carrier tape

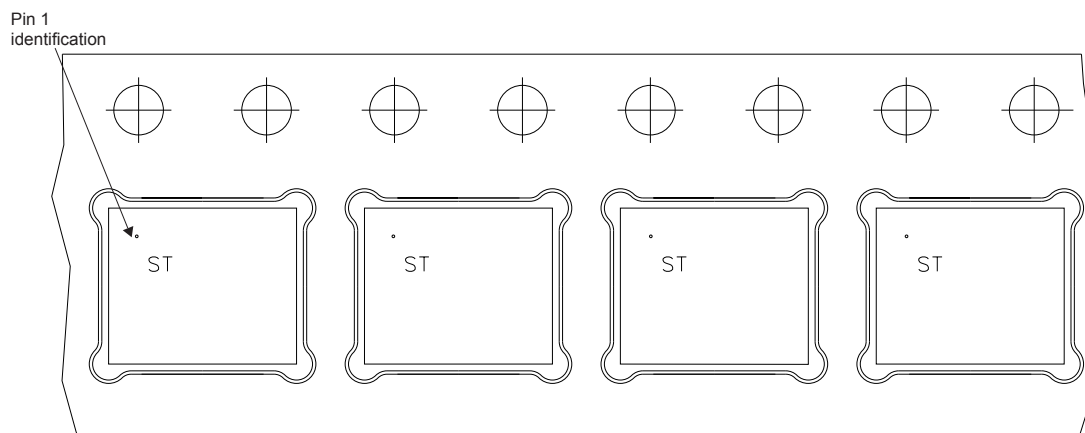
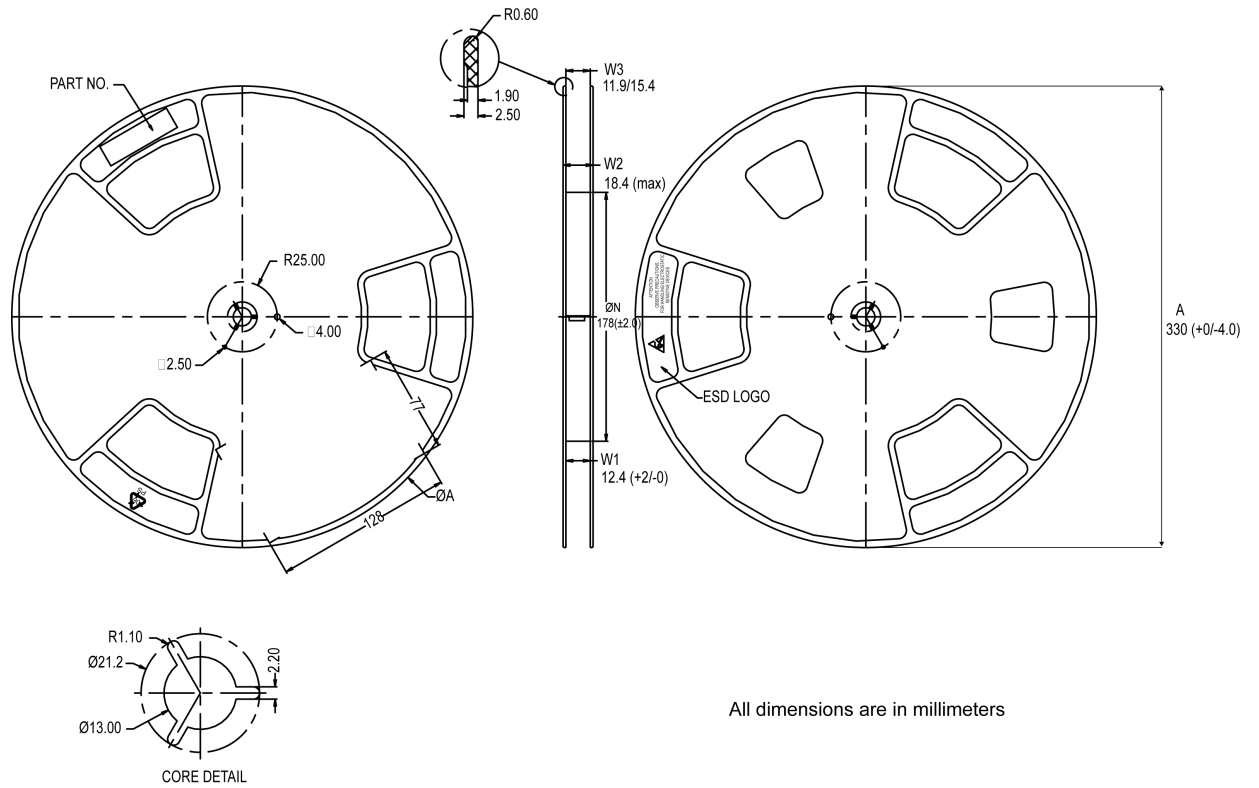


Figure 20. PowerFLAT 5x6 reel



All dimensions are in millimeters

8234350_Reel_rev_C

Revision history

Table 9. Document revision history

Date	Revision	Changes
20-Mar-2013	1	First release
28-Nov-2013	2	<ul style="list-style-type: none"> – Modified: title – Modified: I_D, P_{TOT} values and <i>Figure 1</i> in cover page – Modified: V_{GS}, I_D (at $T_{pcb} = 125\text{ °C}$ and $T_{pcb} = 100\text{ °C}$), I_{DM}, P_{TOT} (at $T_C = 25\text{ °C}$ and $T_{pcb} = 25\text{ °C}$) and T_{stg} in <i>Table 2</i> – Modified: $R_{thj-pcb}$ value in <i>Table 3</i> – Modified: I_{GSS} (V_{GS} - test condition) value and I_D (for $R_{DS(on)}$) in <i>Table 4</i> – Modified: Q_g value in <i>Table 5</i> – Modified: I_D value in <i>Table 6</i> – Modified: I_{SD} and I_{SDM} in <i>Table 7</i> – Added: <i>Section 2.1: Electrical characteristics (curves)</i> – Minor text changes
08-Jan-2014	3	<ul style="list-style-type: none"> – Modified: T_J value in <i>Table 2</i> – Modified: <i>Figure 6</i> – Updated: <i>Section 4: Package mechanical data</i> – Minor text changes
03-Feb-2020	4	<ul style="list-style-type: none"> Updated <i>Section 4 Package information</i>. Minor text changes.
18-Feb-2020	5	Updated Internal schematic in cover page.

Contents

1	Electrical ratings	2
2	Electrical characteristics	3
2.1	Electrical characteristics (curves)	5
3	Test circuits	7
4	Package information	8
4.1	PowerFLAT 5x6 type R package information	8
4.2	PowerFLAT 5x6 type R SUBCON package information	9
4.3	PowerFLAT 5x6 packing information	12
	Revision history	15

IMPORTANT NOTICE – PLEASE READ CAREFULLY

STMicroelectronics NV and its subsidiaries (“ST”) reserve the right to make changes, corrections, enhancements, modifications, and improvements to ST products and/or to this document at any time without notice. Purchasers should obtain the latest relevant information on ST products before placing orders. ST products are sold pursuant to ST’s terms and conditions of sale in place at the time of order acknowledgement.

Purchasers are solely responsible for the choice, selection, and use of ST products and ST assumes no liability for application assistance or the design of Purchasers’ products.

No license, express or implied, to any intellectual property right is granted by ST herein.

Resale of ST products with provisions different from the information set forth herein shall void any warranty granted by ST for such product.

ST and the ST logo are trademarks of ST. For additional information about ST trademarks, please refer to www.st.com/trademarks. All other product or service names are the property of their respective owners.

Information in this document supersedes and replaces information previously supplied in any prior versions of this document.

© 2020 STMicroelectronics – All rights reserved

Mouser Electronics

Authorized Distributor

Click to View Pricing, Inventory, Delivery & Lifecycle Information:

[STMicroelectronics:](#)

[STL30P3LLH6](#)