

Customer Information Sheet

DRAWING No.: M50-310XX45

SHEET 3 OF 3

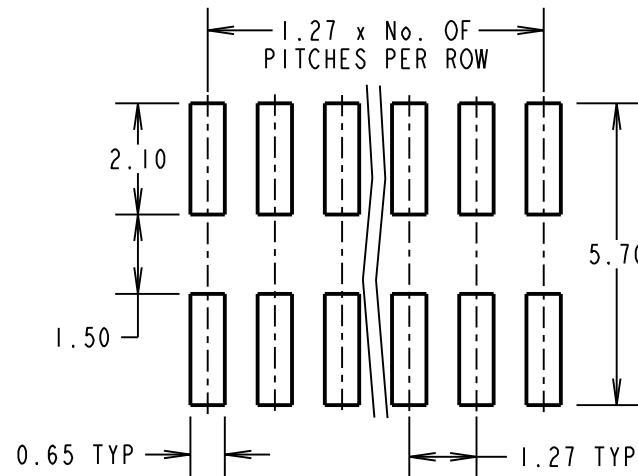
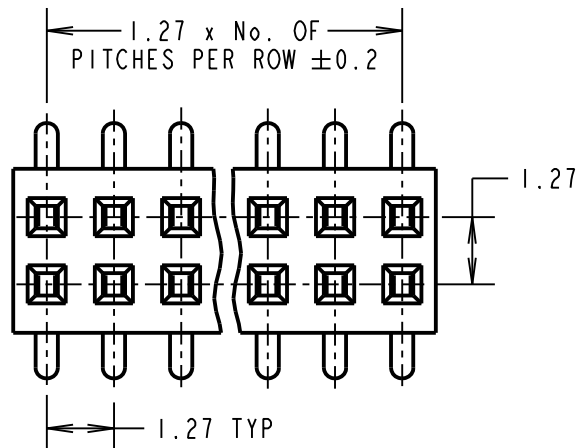
IF IN DOUBT - ASK

©

NOT TO SCALE

THIRD ANGLE PROJECTION

ALL DIMENSIONS IN mm



RECOMMENDED PCB LAYOUT
(TOLERANCE ± 0.05)

SPECIFICATIONS:

MATERIAL:

MOULDING = LCP, UL94V-0, BLACK
CONTACT = PHOSPHOR BRONZE

FINISH:

CONTACT = GOLD

ELECTRICAL:

VOLTAGE RATING = 250V AC/DC
CURRENT RATING = 1A
VOLTAGE PROOF = 300V AC, 500V DC FOR 1 MINUTE
CONTACT RESISTANCE = 20 MILLIOHMS MAX
INSULATION RESISTANCE = 500MΩ MIN

MECHANICAL:

DURABILITY = 100 CYCLES
INSERTION FORCE = 2N MAX PER CONTACT
WITHDRAWAL FORCE = 0.15N MAX PER CONTACT

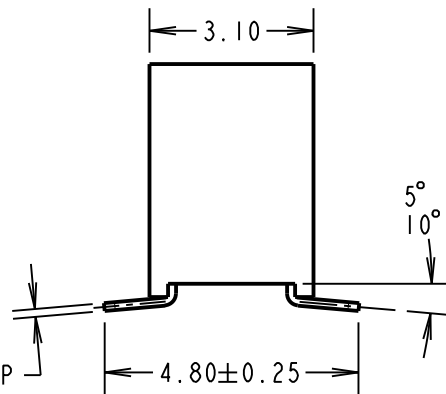
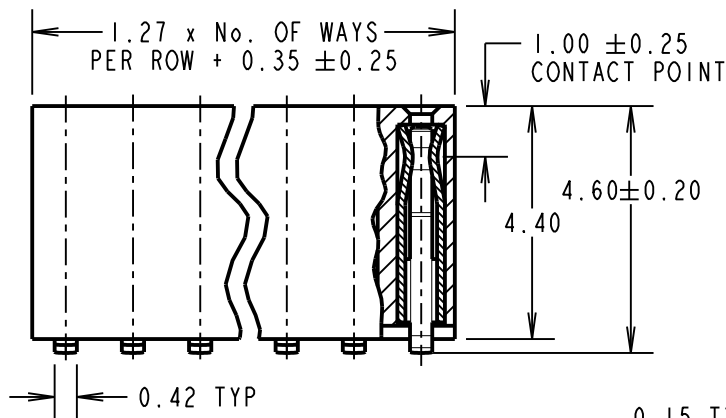
ENVIRONMENTAL:

OPERATING TEMPERATURE = -40°C TO +105°C

PACKING:

TUBE

FOR COMPLETE SPECIFICATION, SEE COMPONENT SPECIFICATION C029XX (LATEST ISSUE)



NOTES:

1. ALL TOLERANCES ARE ±0.12 UNLESS OTHERWISE STATED.

ORDER CODE:

M50-310XX45

No. OF WAYS PER ROW
03 TO 50

FINISH: GOLD

RA	8	31.10.11	11500
NAME	ISS.	DATE	C/NOTE
APPROVED:		R. ADDE	
CHECKED:		M.G. PLESTED	
DRAWN:		J. ENRIGHT	
CUSTOMER REF.:			
ASSEMBLY DRG:			

HARWIN

www.harwin.com
technical@harwin.com

THIS DRAWING AND ANY INFORMATION OR DESCRIPTIVE MATTER SET OUT HEREON ARE CONFIDENTIAL AND COPYRIGHT PROPERTY OF THE HARWIN GROUP AND MUST NOT BE DISCLOSED, LOANED, COPIED OR USED FOR MANUFACTURING, TENDERING OR FOR ANY OTHER PURPOSE WITHOUT THEIR WRITTEN PERMISSION.

TOLERANCES

~~X = ±1mm
X.X = ±0.25mm
X.XX = ±0.10mm
X.XXX = ±0.01mm
ANGLES = ±5°
UNLESS STATED~~

MATERIAL:

SEE ABOVE

FINISH:

SEE ABOVE

S/AREA:

mm²

TITLE:

1.27mm PITCH DIL
VERTICAL SMT SOCKET ASSY

DRAWING NUMBER:

M50-310XX45

SHT
3
OF
3