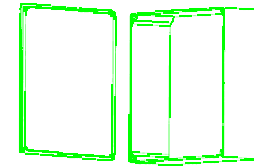


NOTES

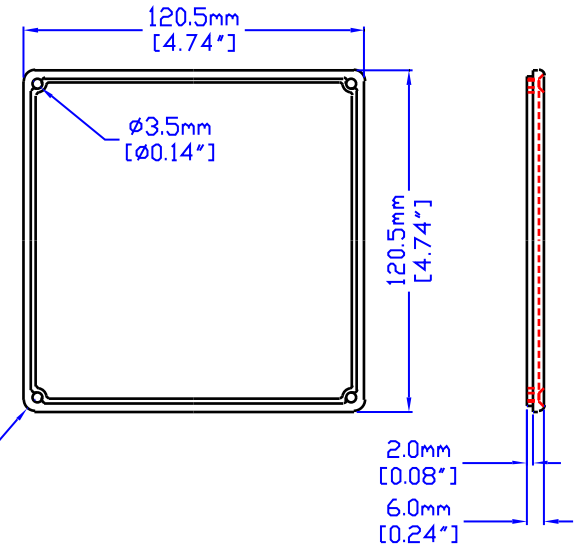
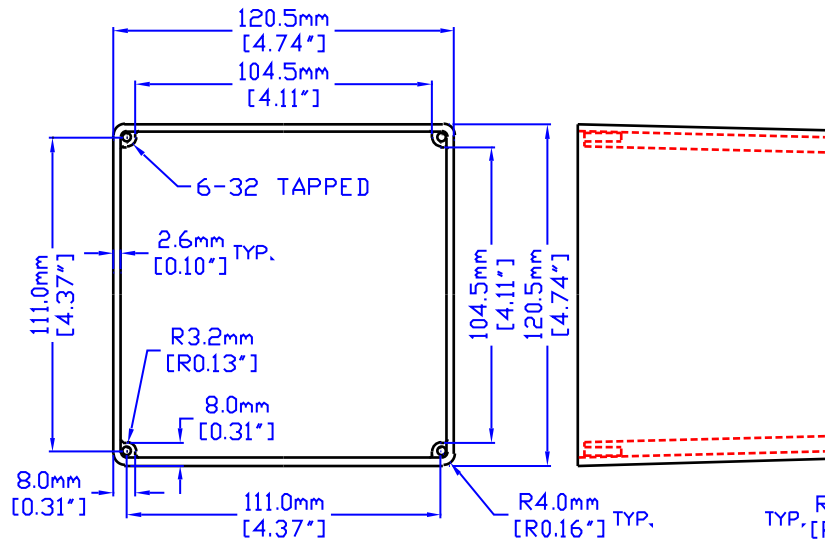
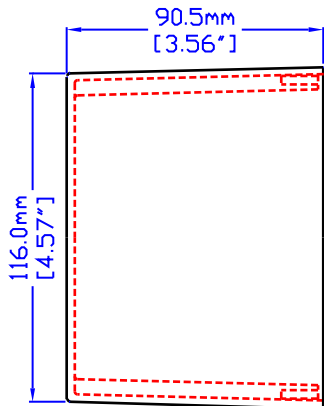
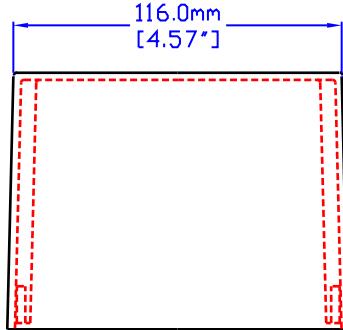
MATERIAL: -DIECAST ALUMINUM ALLOY,  
-FOUR 6-32 Phillips Screws

WATERPROOFING KIT AVAILABLE  
PART # 1590VG  
THE GASKET KIT WILL AFFORD  
PROTECTION AGAINST LIQUID TO  
NEMA 4 AND IP65 LEVELS.

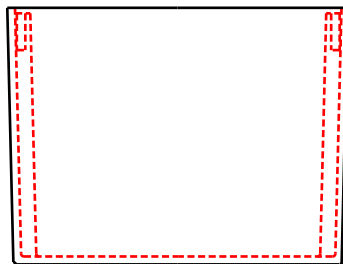
THIS ENCLOSURE IS ALSO  
AVAILABLE IN BLACK AND GRAY  
TEXTURE FINISH.



3D VIEW  
(NOT TO SCALE)



VIEW INSIDE LID



VIEW OF BOX (LID REMOVED)



HAMMOND MANUFACTURING

1590V

CANADA - PH (519) 886 7170 - FAX (519) 886 8311  
U.S.A. - PH (716) 631 5700 - FAX (716) 631 1156