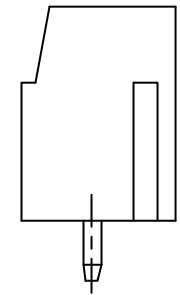
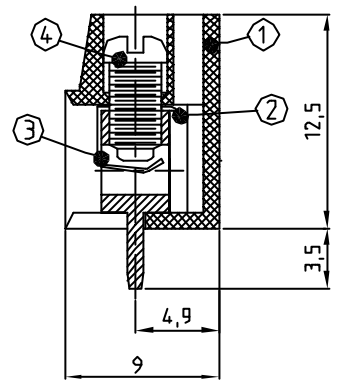
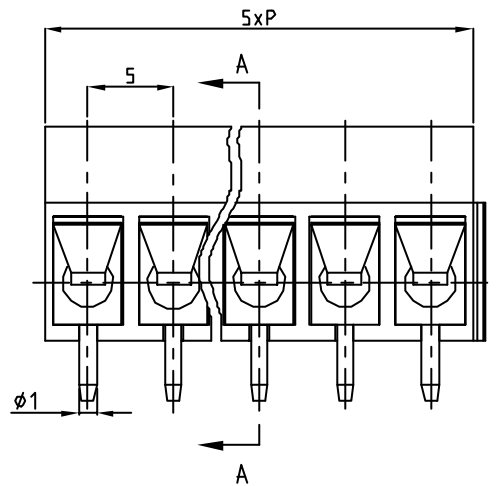
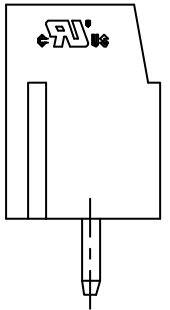
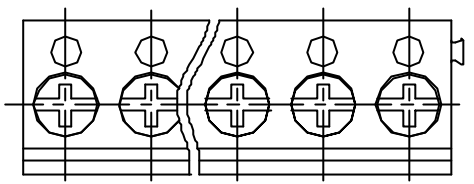


used for:

- NOTES:
- 1, Rating: 310V 16A;
 - 2, Insulation Withstands Voltage: AC1100V/MIN
 - 3, Insulation Resistance: 1000MΩ or more at DC511V
 - 4, Using Temperature Range: -40°C--+105°C
 - 5, Screw Torque Value: 4.4kg-cm
 - 6, Suitable Electric Wire: 12-22AWG



4	Screw	S111102700	P	Steel	Zinc-Plated		
3	Pin	C000015711	P	HPb59-1	Tin-Plated		
2	Clamp	1105M11111	P	QSn6.5-0.1	Ni-Plated		
1	Housing	1116P01211	1	PBT G20	UL94 V-0		
ITEM	NAME OF PART	NO OF PART	Q'TY	MATERIAL	NDTE		
DWG.	CHENR	DATE	2004/12/16	UNTS	MN	SHEET/DF	1/1
CHK.		DATE		SCALE	1:1		
APP.		DATE					
						NAME	20.101MXX
						DWG NO.	

Pitch ranges in mm		Nominal dimension range in mm				radius	clearance	slant angle	side	≠	□	∥										
2	0	16	24	32	0.5	3	6	30	120	0.5	3	6	11	50	120	all	all	to 5	to 30	to 120	to 481	
4	16	24	32	36	3	6	30	121	480	3	6	30	11	51	121	all	all	to 5	to 30	to 121	to 481	
±0.18	±0.13	±0.11	±0.09	±0.08	±0.1	±0.1	±0.2	±0.3	±0.5	±1	1°	31°	28°	11°	0.2	0.5	1.025	1.16	0.12	1.4		

REV.	CONTENT	CHK.	DATE
------	---------	------	------

