

## S5032 SMD Type Crystal

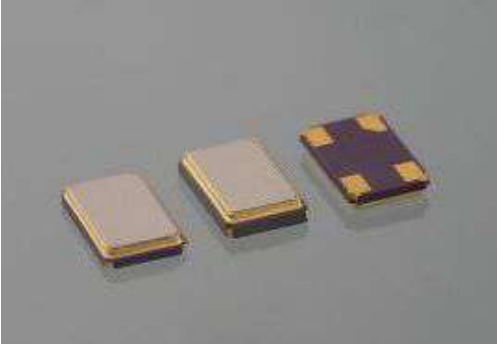
### Features

Ideal for OA/AV applications and Accessories for OA / AV 、 Mobile Communications、 Automotive Compact and thin. (5.0×3.2×1.3mm type.) by seam seal.

Supports low frequencies starting from 7.6MHz.

Excellent environmental characteristics,including heat and shock resistance.

Meets the requirements for re-flow profiling using lead-free solder.



### Specifications

Frequency Range	7.600MHz ~ 156.000MHz
Mode of Oscillation	Fundamental,3 rd
Frequency Tolerance at 25°C	±30ppm Max or specify(±5ppm、 ±10ppm、 ±30ppm)
Frequency Stability Over Temperature	±30ppm Max or specify(±10ppm、 ±30ppm)
Operating Temperature Range	-20 ~ +70°C standard,or -40 ~ +85°C Extended
Storage Temperature Range	-40 ~ +85°C
Aging	± 3ppm / year Max
Load Capacitance	8pf ~ 32pf or specify
Equivalent Series Resistance ( ESR )	See Table
Shunt Capacitance	4.0pf Max
Drive Level	0.01μW- 100μW

Resistance of Series Resonance ( ESR )					
Frequency (MHz)	Mode	Ohm Max	Frequency(MHZ)	Mode	Ohm Max
8.000 ~16.000	Fundamental	80	30.001. ~50.000	Third Overtone	100
16.001 ~30.000	Fundamental	50	50.001. ~156.000	Third Overtone	90

### Operating Temperature Range

Operating Temperature Range	Frequency Stability
0 ~ +70°C	±10ppm、 ±30ppm or specify
-20 ~ +70°C	±10ppm、 ±30ppm or specify
-40 ~ +85°C	±10ppm、 ±30ppm or specify
-40 ~ +105°C	N/A
-60 ~ +125°C	N/A

**PART NO. SYSTEM**

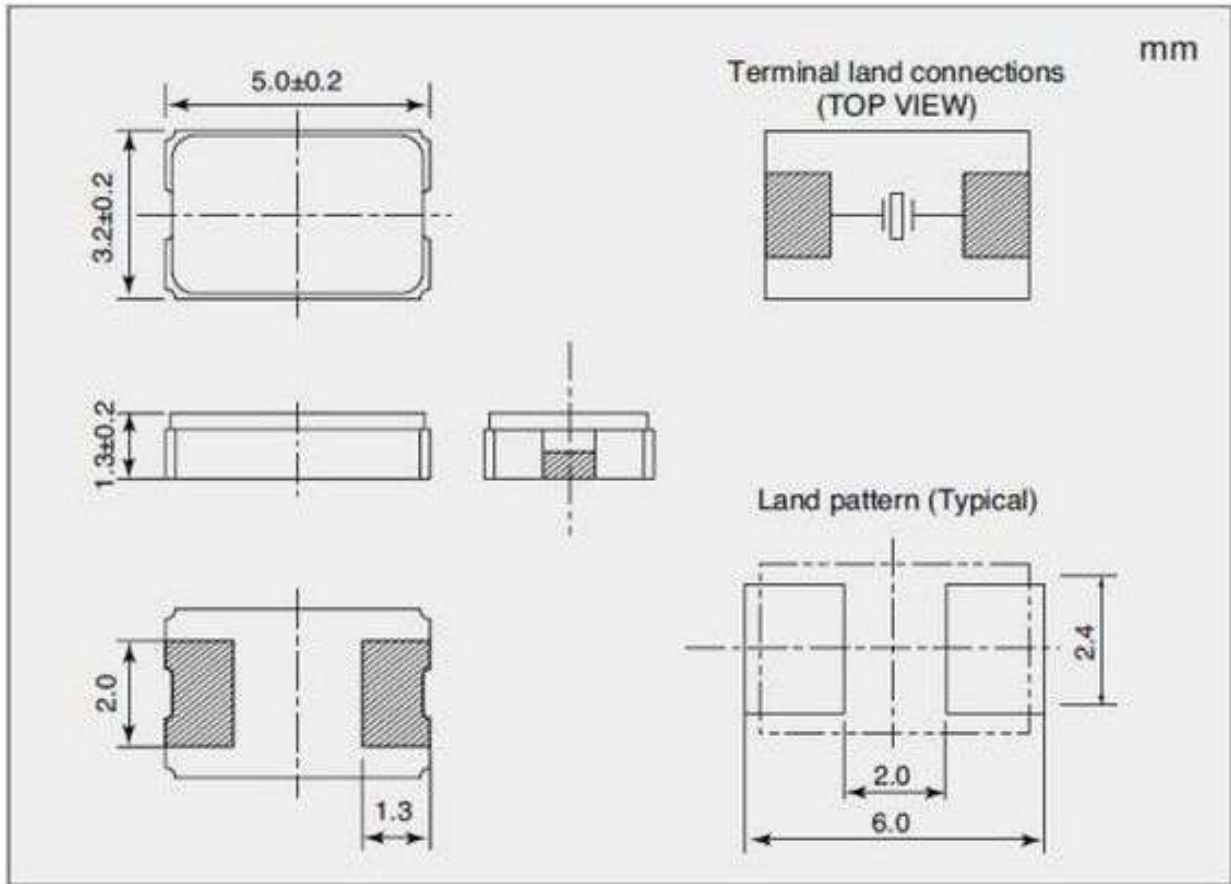
S5032-32.000M-20pF-30ppm

S	5032	32.000M	20pF	30ppm
1	2	3	4	5

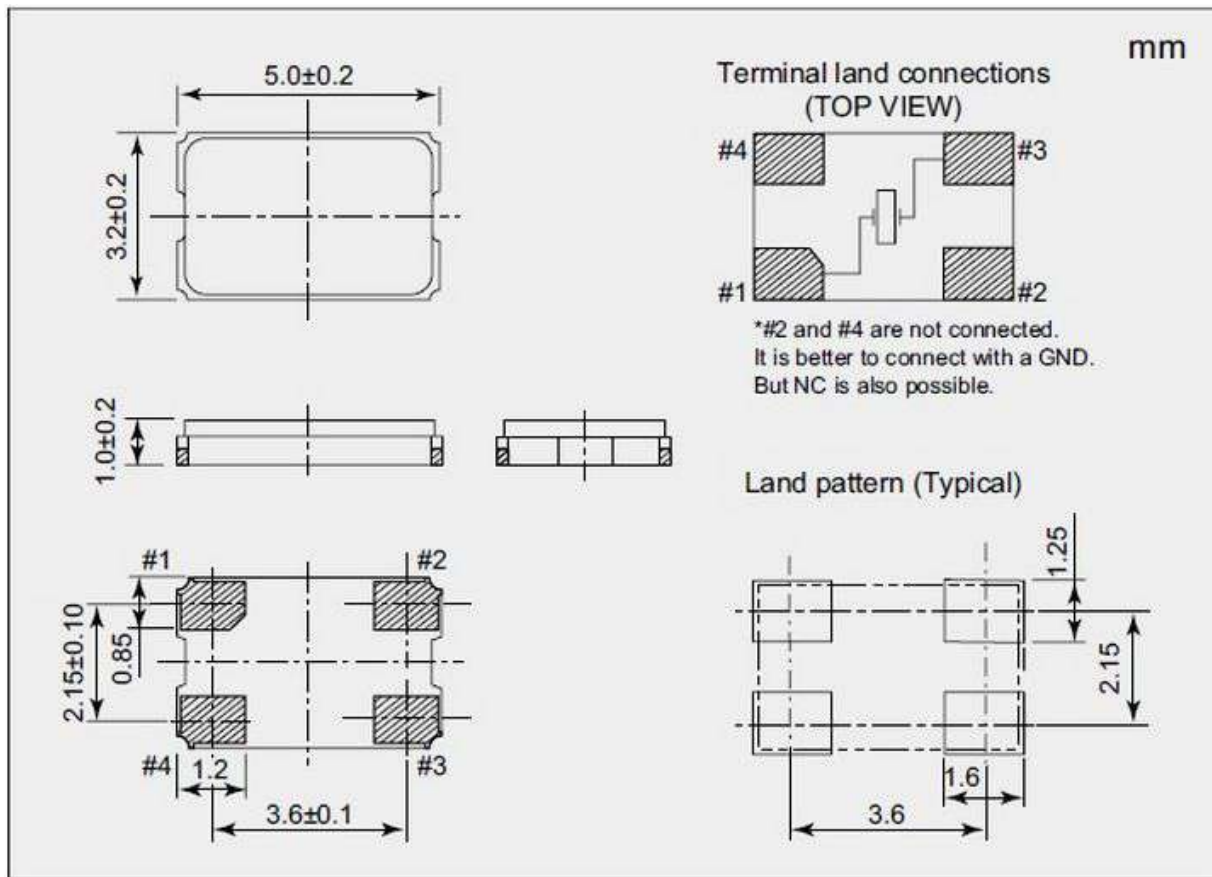
EXPLANATION:	
1	STRONG LOGO
2	5.0*3.2mm
3	Center Frequency
4	Load Capacitance
5	Frequency Tolerance and Stability, for details, welcome to contact our sales and agent

**Dimensions (mm)**

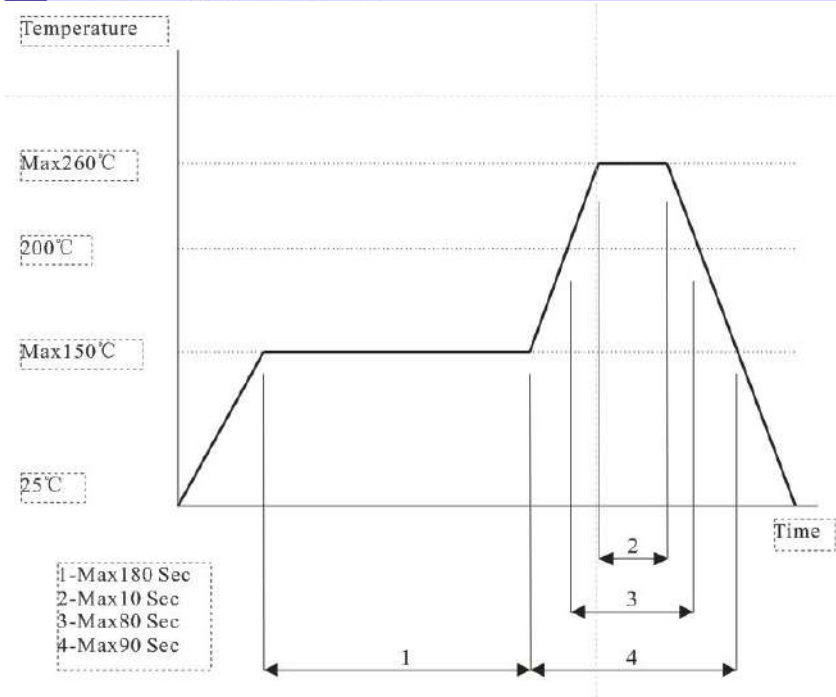
2pad



4pad



**Soldering procedure**



**Packing (2000/pcs)**