



Single-phase Regulator

Part No.

HHT1-R (SSR-VA)



CHARACTERISTICS

Control	2W470-560KΩPotentiometer to adjust	Insulation Resistance	500MΩ(at 500VDC)
Load Voltage	22:220VAC, 38: 380VAC	Ambient Temp.	-30~80℃
Regulate Range	22:10-250VAC, 38: 10-440VAC	Weight	10A≈110g,40A≈145g
Isolation Voltage	Not isolated	Indicate Methods	Led
Leakage Current in off	≤10mA	Dimensions	57.2x43.5x29(LxWxH)mm
Load Current	10A,15A,20A,25A,30A,40A.	Wirinig Diagram	See Page-2
Instant Voltage	22:600VAC, 38:900VAC		
Voltage Drop in On	<3VAC		
Dielectric Strength	≥2500VAC		

ORDERING INFORMATION

e.g

HHT1-R / 22 2W470-560KΩ 10A

① ② ③ ④

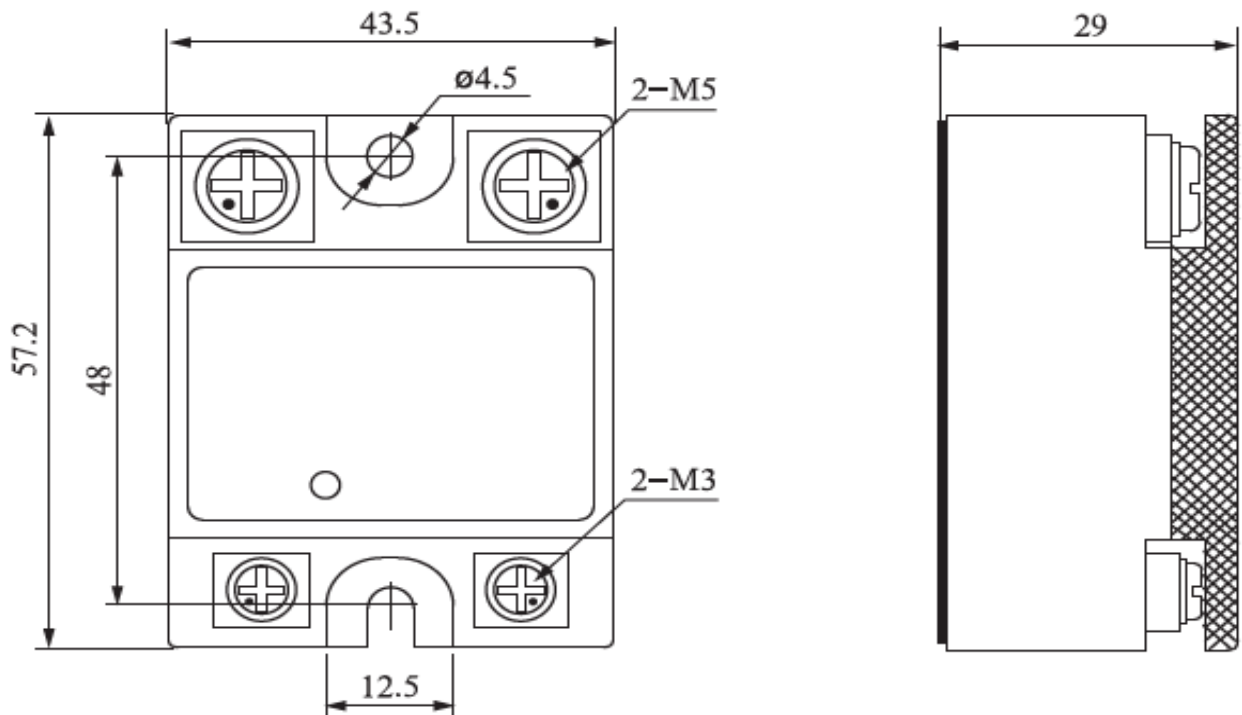
① Series: HHT1-R series(SSR-VA)

② Control: 2W470-560KΩPotentiometer to adjust

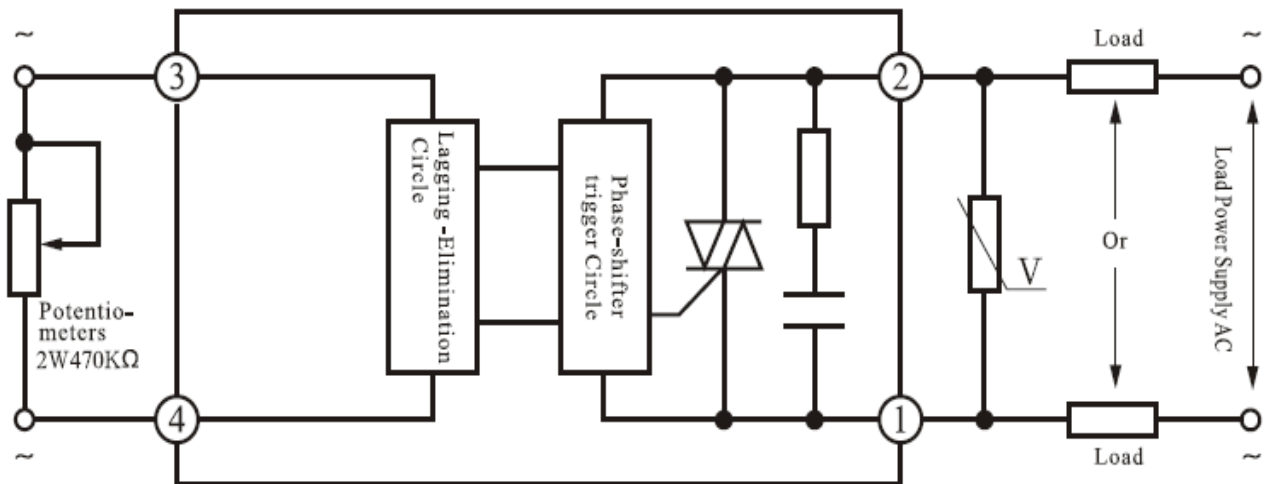
③ Load Voltage : 22:220VAC,38: 380VAC.

④ Load current : 10A,15A,20A,25A,30A,40A.

DIMENSIONS (Unit: mm)



WIRING DIAGRAM:



Remarks:

1. Output power must be AC Voltage.
2. It adds with 2W470-560K Ω by Potentiometer to adjust.
3. If the SSR with load above 10Amps, it must be mounted onto heat sink. It should be mounted onto fan-cooling or water-cooling if the load above 80Amps.