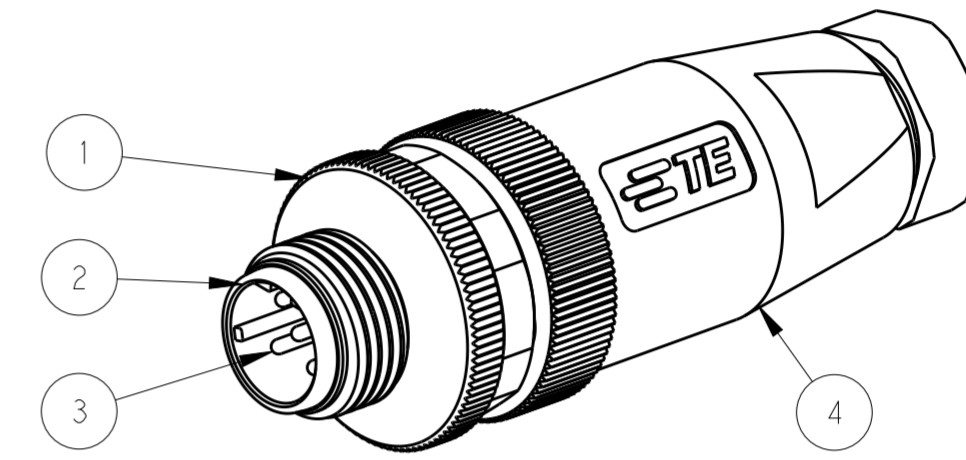
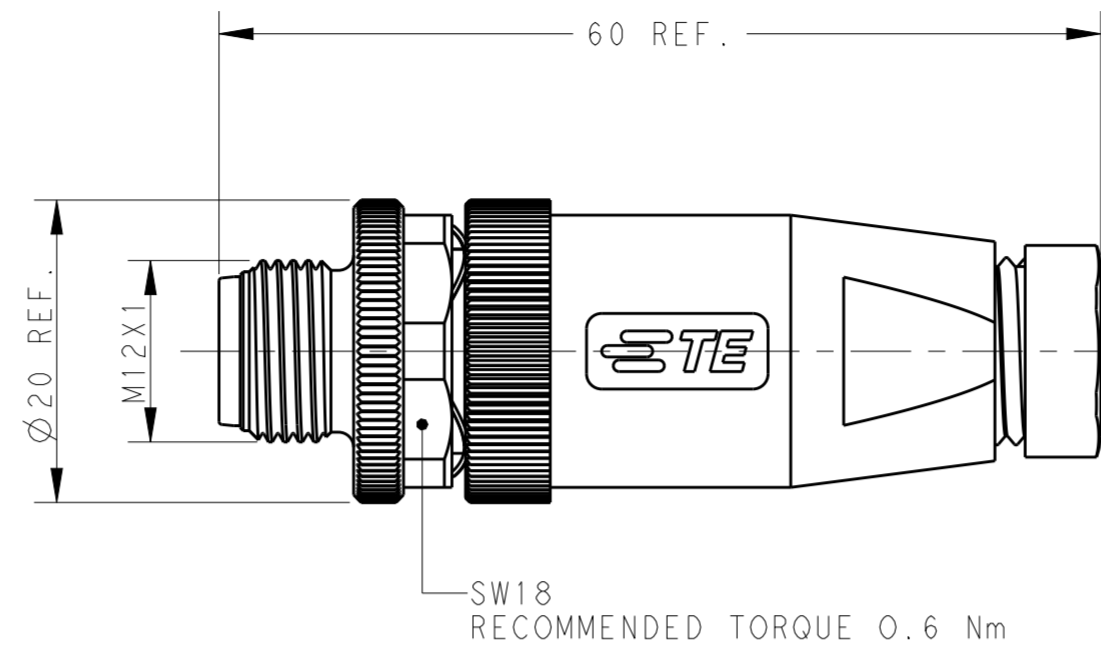
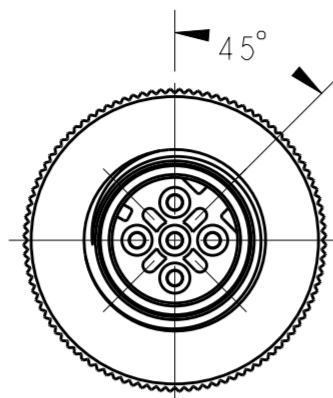


THIS DRAWING IS UNPUBLISHED. RELEASED FOR PUBLICATION 20
 © COPYRIGHT 20 BY - ALL RIGHTS RESERVED.

REVISIONS				
P	LTR	DESCRIPTION	DATE	APVD
A		INITIAL RELEASE	08AUG2015	NP XX
A1		ECR-15-012625	04AUG2015	NP XX
A2		ECR-15-018715 ADD 114 SPEC.	29DEC2015	NP XX



TECHNICAL DATA	T411150X02X-000	T411150X03X-000	T411150X04X-000	T411150X05X-000
RATED VOLTAGE	250V	250V	250V	60V
RATED CURRENT	4A	4A	4A	4A
POLLUTION DEGREE	3	3	3	3
OVERVOLTAGE CATEGORY	II	II	II	II
MATERIAL GROUP	II	II	II	II
CONTACT RESISTANCE	≤8mΩ	≤8mΩ	≤8mΩ	≤8mΩ
INSULATION RESISTANCE	>100MΩ	>100MΩ	>100MΩ	>100MΩ
DEGREE OF PROTECTION	IP67	IP67	IP67	IP67
OPERATION TEMPERATURE	-40~85°C	-40~85°C	-40~85°C	-40~85°C

- NOTE:
- MATERIAL:
 - ITEM NO.1:NUT -BRASS
 - ITEM NO.2:HOUSING -PA
 - ITEM NO.3:CONTACT -BRASS
 - ITEM NO.4: HOUSING BODY: -PBT+GF
 - CONTACT FINISH:
 - GOLD OVER NICKEL OR SILVER OVER NICKEL
 - CABLE WIRES:
 - 18AWG/0.75mm² Max. FOR 2-5 PINS
 - ALLDIMENSIONS ARE FOR NOMINAL REFERENCE ONLY UNLESS OTHERWISE STATED
 - PACKAGEING: IPIECE IN A BAG
 - PN INFORMATION

PIN ARRANGEMENT D-CODE		
T411150X02X-000	T411150X03X-000	T411150X04X-000
T411150X05X-000		

T4111502051-000	RPC-M12D-MS-5CON-PG9-MU
T4111501051-000	RPC-M12D-MS-5CON-PG7-MU
T4111502052-000	RPC-M12D-MS-5CON-PG9-M
T4111501052-000	RPC-M12D-MS-5CON-PG7-M
T4111502041-000	RPC-M12D-MS-4CON-PG9-MU
T4111501041-000	RPC-M12D-MS-4CON-PG7-MU
T4111502042-000	RPC-M12D-MS-4CON-PG9-M
T4111501042-000	RPC-M12D-MS-4CON-PG7-M
T4111502031-000	RPC-M12D-MS-3CON-PG9-MU
T4111501031-000	RPC-M12D-MS-3CON-PG7-MU
T4111502032-000	RPC-M12D-MS-3CON-PG9-M
T4111501032-000	RPC-M12D-MS-3CON-PG7-M
T4111502021-000	RPC-M12D-MS-2CON-PG9-MU
T4111501021-000	RPC-M12D-MS-2CON-PG7-MU
T4111502022-000	RPC-M12D-MS-2CON-PG9-M
T4111501022-000	RPC-M12D-MS-2CON-PG7-M
TE PN	TYPE

T411150XXXX-000

- CONTACT FINISH:
 - 1: GOLD OVER NICKEL
 - 2: SILVER OVER NICKEL
- NUMBERS OF PINS:
 - 02: 2 PINS
 - 03: 3 PINS
 - 04: 4 PINS
 - 05: 5 PINS
 - 08: 8 PINS
- CABLE OUTLET:
 - 1: PG7(CABLE FEED: 4-6mm)
 - 2: PG9(CABLE FEED: 6-8mm)
- BRAND:
 - T: W/ TE LOGO
 - N: W/O LOGO

THIS DRAWING IS A CONTROLLED DOCUMENT.		DWN HAO WANG 08DEC2014	TE Connectivity	
		CHK KOBBY ZHAO 08DEC2014		
		APVD XIANG XU 08DEC2014	NAME M12 MALE, D CODE, STRAIGHT UNSHIELDED CONNECTOR SCREW TERMINAL	
DIMENSIONS: mm		TOLERANCES UNLESS OTHERWISE SPECIFIED:	PRODUCT SPEC 108-106140	
		0 PLC ±0.2 1 PLC ±0.2 2 PLC ±0.2 3 PLC ± 4 PLC ± ANGLES ± FINISH	APPLICATION SPEC 114-137144	
MATERIAL -			WEIGHT -	
			Customer Drawing	
			SIZE A2	RESTRICTED TO -
			CAGE CODE -	DRAWING NO. G-T411150XXXX000
			SCALE 1:1	SHEET 1 OF 1 REV A2