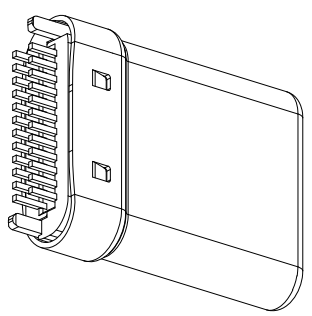
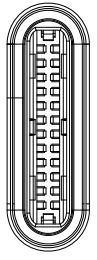
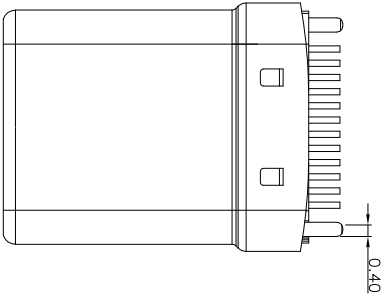
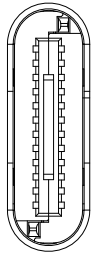
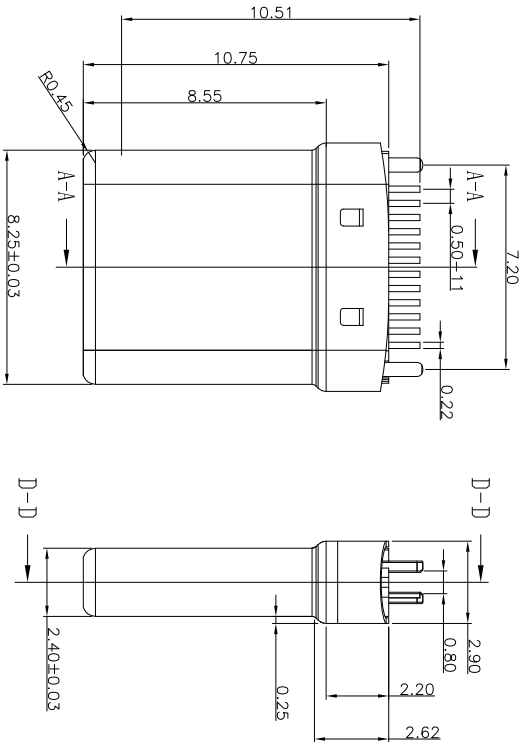
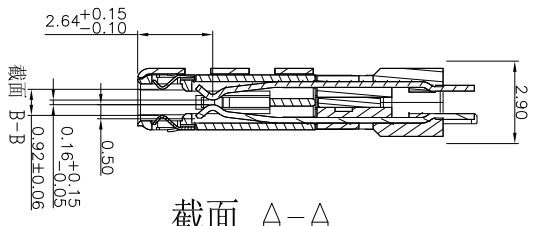


REV.	ECN. NO.	APPD.
A		

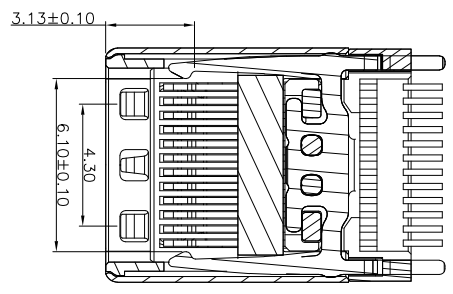
- NOTES:
- MATERIAL:
    - MOLDING: LCP UL94 V-0
    - CONTACT: COPPER ALLOY: C5191 T=0.15±0.02mm
    - GOLD PLATED: 1u" Min ON CONTACT AREA, 100u" Min TIN (LEAD FREE) ON SOLDER AREA,
  - SHELL: SUS304-H,T=0.20±0.02mm
  - 50u" NICKEL PLATING OVER ALL
  - Card hook: SUS301-H,T=0.35±0.02mm
  - shrapnel: SUS304-H,T=0.10±0.02mm
- MECHANICAL:
    - INSERTION: 5~20N.
    - EXTRACTION: 8~20N.
    - DURABILITY: 5000 CYCLES
  - ELECTRICAL:
    - CURRENT: 5A MIN FOR VBUS;
    - 0.25A MIN FOR OTHER.
    - VOLTAGE: 5VAC MAX
    - WITHSTANDING VOLTAGE: 100V AC.
    - CONTACT RESISTANCE: 40mΩ MAX.
    - INSULATION RESISTANCE: 100MΩ MIN.
  - ENVIRONMENTAL
    - TEMPERATURE RANGE -55°C ~ +85°C



截面 A-A



截面 D-D



Pin	Signal Name	Description	Pin	Signal Name	Description
A1	END	Ground return	B12	END	Ground return
A2	SSTVq1	Positive half of first SuperSpeed TX differential pair	B11	SSRq1	Positive half of first SuperSpeed RX differential pair
A3	SSTVq1	Negative half of first SuperSpeed TX differential pair	B10	SSRq1	Negative half of first SuperSpeed RX differential pair
A4	Vias	Bus Power	B9	Vias	Bus Power
A5	CC1	Configuration Channel	B8	SR12	Standard Use (SR)
A6	Dp1	Positive half of the USB 2.0 differential pair-Position 1	B7	Dp2	Negative half of the USB 2.0 differential pair-Position 2
A7	Dn1	Negative half of the USB 2.0 differential pair-Position 1	B6	Dp2	Positive half of the USB 2.0 differential pair-Position 2
A8	SR11	Standard Use (SR)	B5		Configuration Channel
A9	Vias	Bus Power	B4	Vias	Bus Power
A10	SSRq2	Negative half of first SuperSpeed TX differential pair	B3	SSTVq2	Negative half of second SuperSpeed RX differential pair
A11	SSRq2	Positive half of second SuperSpeed TX differential pair	B2	SSTVq2	Positive half of second SuperSpeed RX differential pair
A12	END	Ground return	B1	END	Ground return

**MINTRON CO.,LTD.**

TITLE: TYPE C 24P 公头拉伸 板厚2.9

X	±0.30	X°	±5°	UNITS	mm
X	±0.20	X°	±2°	MATL	
.XX	±0.10	.XX°	±1°	FINISH	
.XXX	±0.05	.XXX°	±0.5°		

TYPE C CONNECTOR	QTY	NAME(INTENDED USE)	PART NO.(INTENDED USE)	TITLE
				TYPE C 24P 公头拉伸 板厚2.9
		APPR: SUNNY	DWG NO: 00302-UCAM002-N	
		CHKD: USA		
		DR: ZOE	2022-06-10	

SCALE	1/1	SHEET	1/1	REV.	A
-------	-----	-------	-----	------	---