

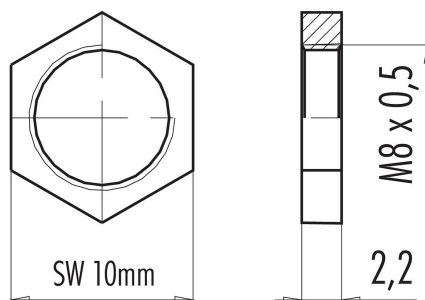
Product description **M8 / AS-Interface - Mounting nut M8x0.5; Series 718/772/775/768**

Part no. **01 0769 001**

Illustration



Scale drawing



Technical data

General features

Part no.	01 0769 001
Thread	M8 x 0.5
Width across flat	SW 10
Weight (g)	0.653
Customs tariff number	85389099

Material

REACH SVHC	CAS 7439-92-1 (Lead)
SCIP number	49a89df8-0155-4d35-8b68-4f53f9b09298
Surface	DIN 50968-Cu/Ni4 halbmatt
Material	CuZn39 Pb3 F50

Classifications

eCl@ss 11.1	27-44-01-92
-------------	-------------