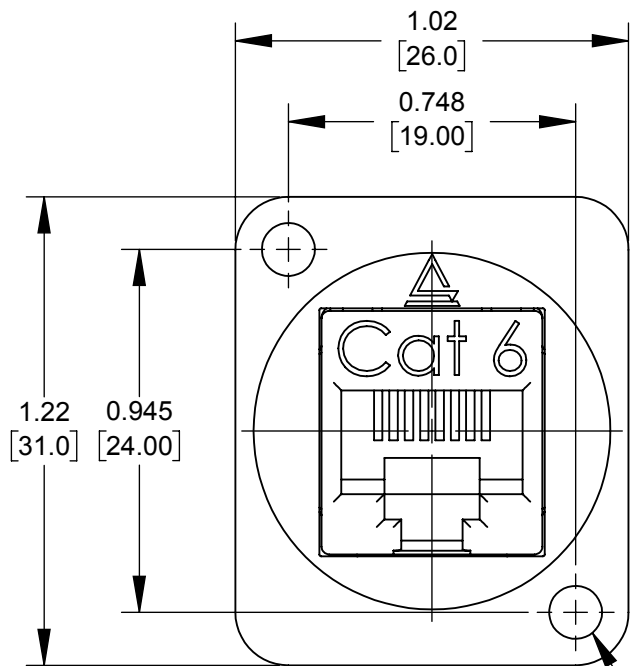
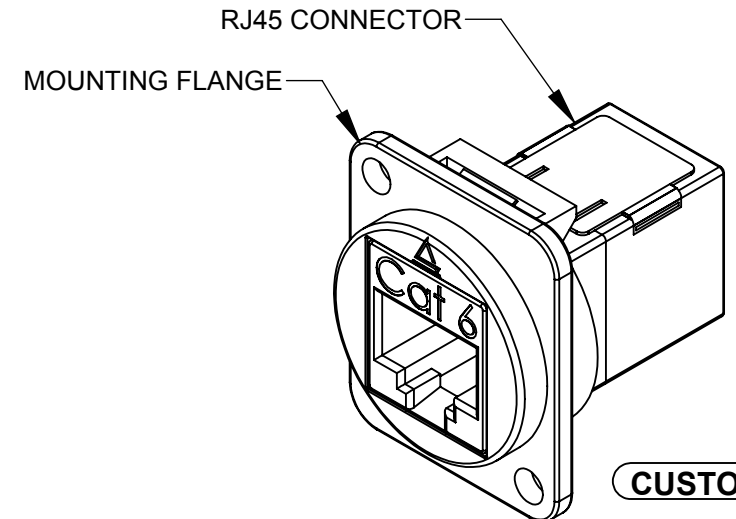
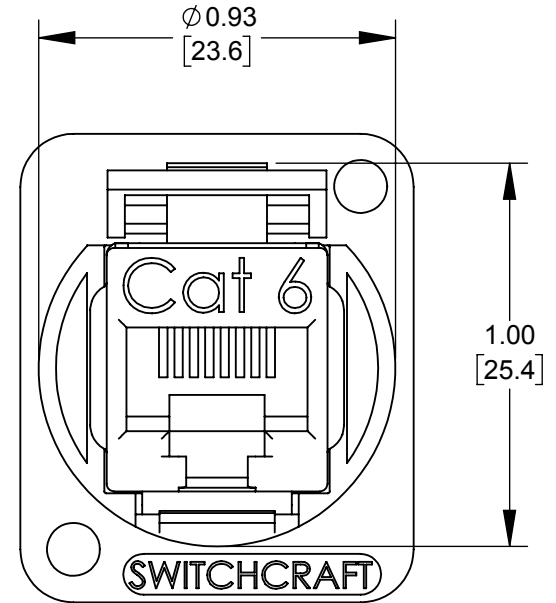
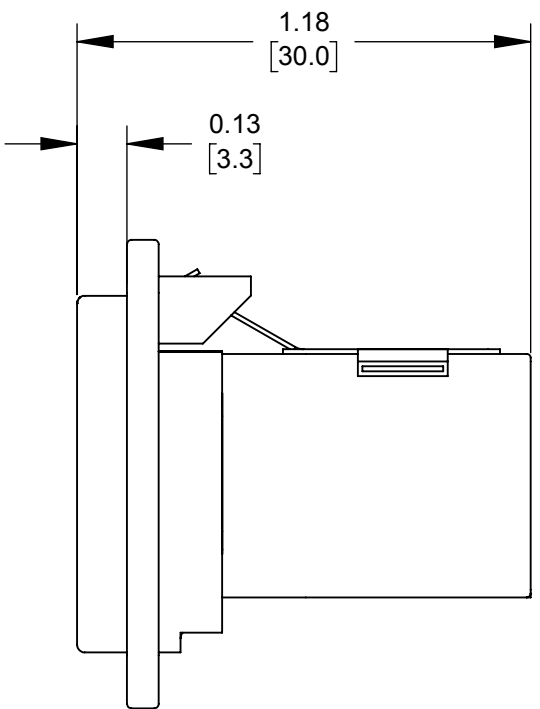


EHRJ45D6S
SHOWN



MOUNTING HOLE (2) PLACES
SEE TABLE



CUSTOMER DRAWING

PART NUMBER	MOUNTING FLANGE FINISH	MOUNTING HOLE
EHRJ45D6S	NICKEL	Ø0.138 [3.50] THRU-HOLE
EHRJ45D6SB	BLACK CHROME	Ø0.138 [3.50] THRU-HOLE
EHRJ45D6S440	NICKEL	#4-40 THREAD
EHRJ45D6SB440	BLACK CHROME	#4-40 THREAD
EHRJ45D6SM3	NICKEL	M3 X 0.5 THREAD
EHRJ45D6SBM3	BLACK CHROME	M3 X 0.5 THREAD

- NOTES:
- SHIPPED ASSEMBLED WITHOUT PANEL MOUNTING HARDWARE. ADD "PKG" SUFFIX TO INCLUDE MOUNTING SCREWS AND INDIVIDUAL PACKAGING.
 - MATERIALS:
MOUNTING FLANGE - ZINC ALLOY, SEE TABLE FOR FINISH
RJ45 BODY - THERMOPLASTIC, BLACK
RJ45 SHIELD - COPPER ALLOY, NICKEL PLATED
RJ45 CONTACTS - COPPER ALLOY, GOLD PLATED
 - SPECIFICATIONS:
RJ45 CONNECTOR MEETS TIA/EIA-568 STANDARD.
PHYSICAL CHARACTERISTICS
INSERTION LIFE: 750 MATING CYCLES WITH FCC PLUG
OPERATING TEMP: -10°C TO +60°C (14°F TO +140°F)
ELECTRICAL
INSULATION RESISTANCE: 500MOHM
DIELECTRIC WITHSTANDING VOLTAGE: 1000V
DC CURRENT RATING: 1.5 AMPS
DC RESISTANCE: 0.1OHM
CONTACT RESISTANCE: 20mOHM
 - THESE PRODUCTS ARE RoHS COMPLIANT.

REV	ECO NUMBER	DATE	BY	APVD
0A	CREATED FOR PDR 18006	6/21/19	JGK	*
REVISIONS				

UNLESS OTHERWISE SPECIFIED

1. ALL DIMENSIONS IN INCHES [mm]
- TWO PLACE DECIMALS ±0.02 [0.5]
- THREE PLACE DECIMALS ±0.005 [0.13]

DO NOT SCALE DRAWING

THIS DRAWING DESCRIBES A DESIGN CONSIDERED PROPRIETARY IN NATURE, DEVELOPED AND MANUFACTURED BY SWITCHCRAFT INC. AND IS RELEASED ON A CONFIDENTIAL BASIS FOR IDENTIFICATION PURPOSES ONLY.									
SIZE	WIDTH	MULT	LBS/M	TEMPER					
FINISH		MATERIAL							
SPEC No.		SPEC No.							
FIRST USED ON				SCALE					
				2:1					
DATE DRAWN	BY	CHKD	APVD						
6/21/19	JGK	JGK	TJK						
		7/10/19	7/10/19						
NAME			PART No.						
METAL FLANGE, REAR MOUNT RJ45, CAT6 CONNECTOR, SHIELDED, RoHS			EHRJ45D6S SERIES						
									REV
									0A