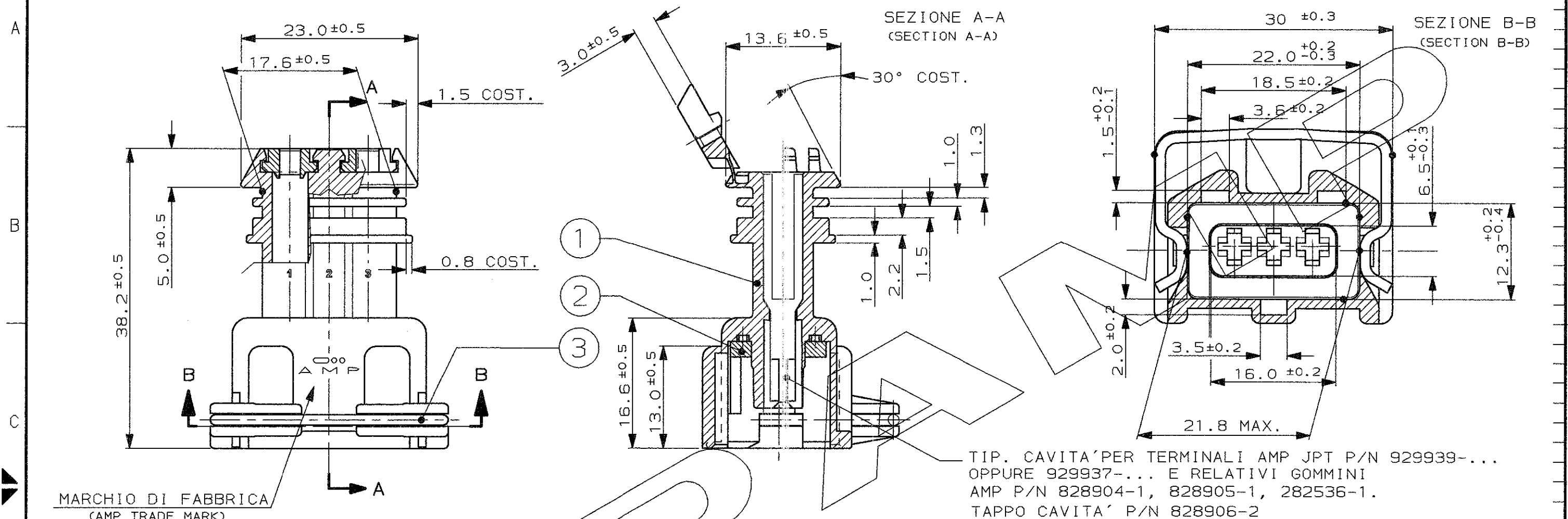


CONNETTORE TIPO A (CON MOLLA DI RITEGNO ESTERNA)
CONNECTOR TYPE B (WITH INTERNAL SPRING)

SCALA NON IMPEGNATIVA
(DO NOT SCALE)
DIMENSIONI IN mm
(DIMENSIONS IN mm)

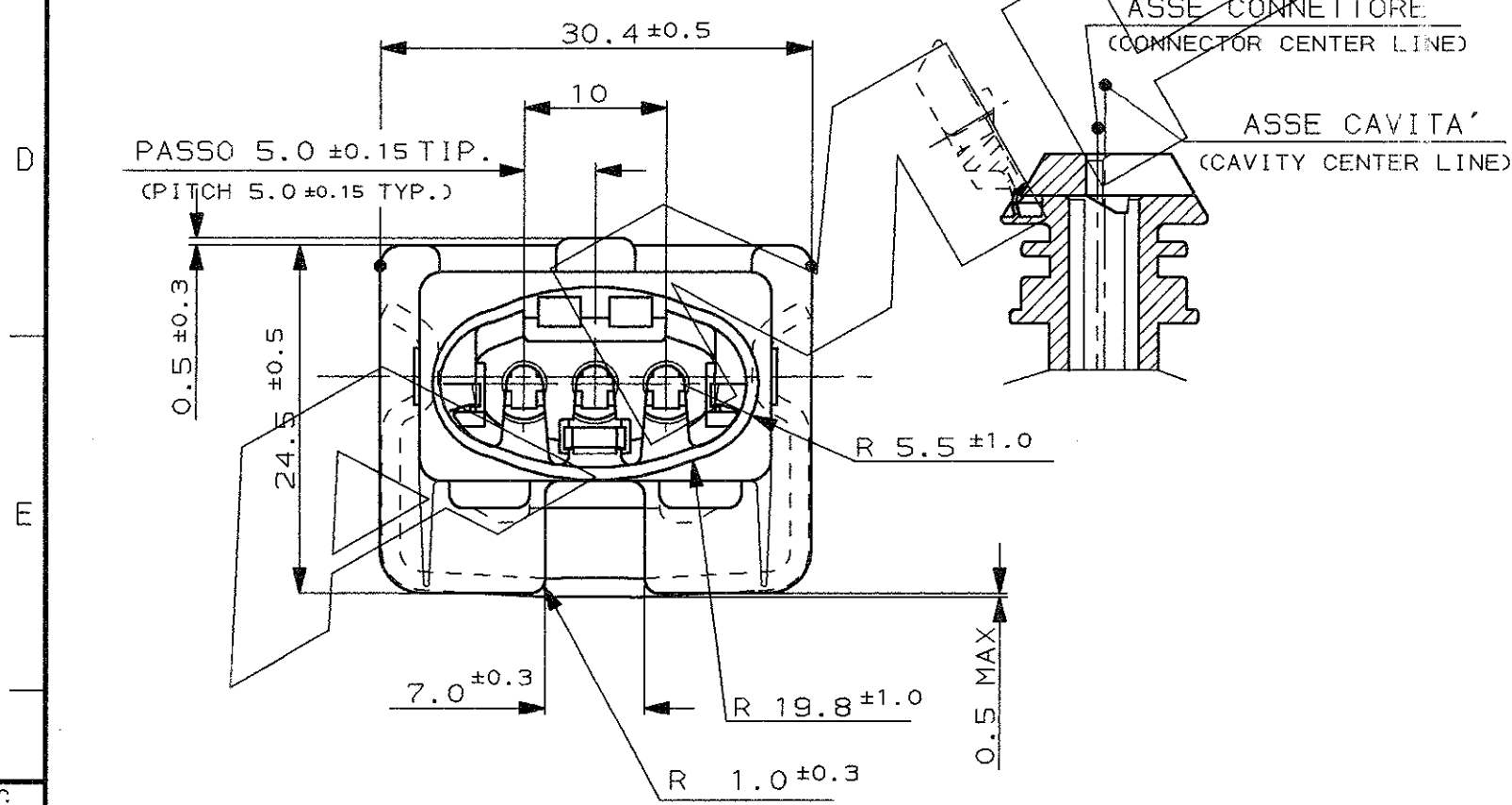
METRIC

PROIEZIONE EUROPEA
(EUROPEAN PROJECTION)



MARCHIO DI FABBRICA
(AMP TRADE MARK)

TIP. CAVITA' PER TERMINALI AMP JPT P/N 929939-...
OPPURE 929937-... E RELATIVI GOMMINI
AMP P/N 828904-1, 828905-1, 282536-1.
TAPPO CAVITA' P/N 828906-2
(TYP. CAV. FOR JPT CONT. P/N 929939-.. A/O 929937-.. AND REL.
SINGLE WIRE SEAL P/N 828904-1, 828905-1, 282536-1
CAVITY PLUG P/N 828906-2)



MARRONE (BROWN)	282729-6	D	3	//////	ACCIAIO INOX	MOLLA
BLU (BLUE)	282729-5				(STAINLESS STEEL)	(SPRING)
VERDE (GREEN)	282729-4				GOMMA SILICONE	GUARNIZIONE
NATURALE (NATUR)	282729-3				(SILICONE RUBBER)	(SEALING)
GRIGIO (GREY)	282729-2	1	//////		PA 6.6 C.VETRO	BLOCCHETTO
NERO (BLACK)	282729-1				(PA 6.6 G.F.)	(HOUSING)
COLORE (COLOR)	NUMERO (PART. N°)	ASSY REV.	N° (ITEM)	FINITURA / COLORE (FINISH / COLOUR)	MATERIALE (MATERIAL)	DESCRIZIONE (DESCRIPTION)

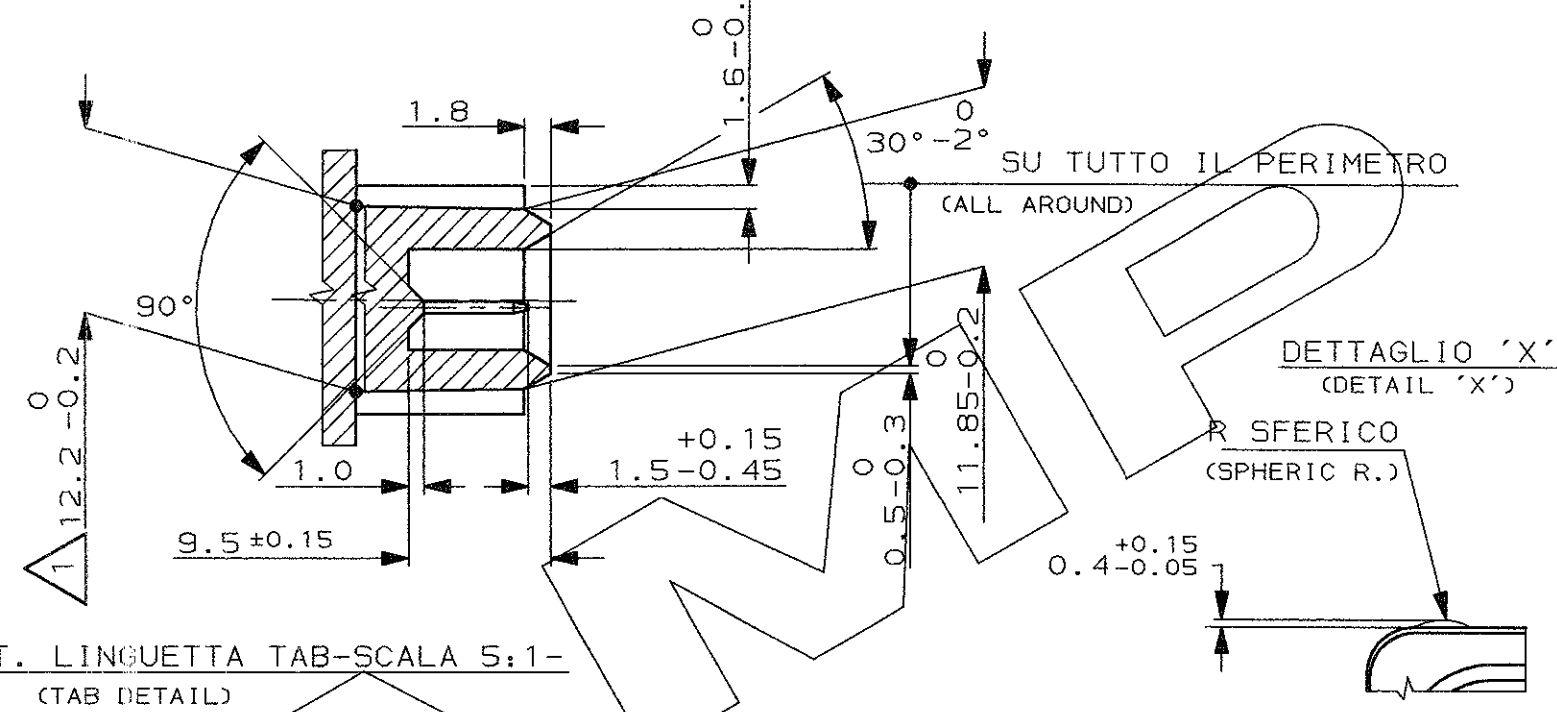
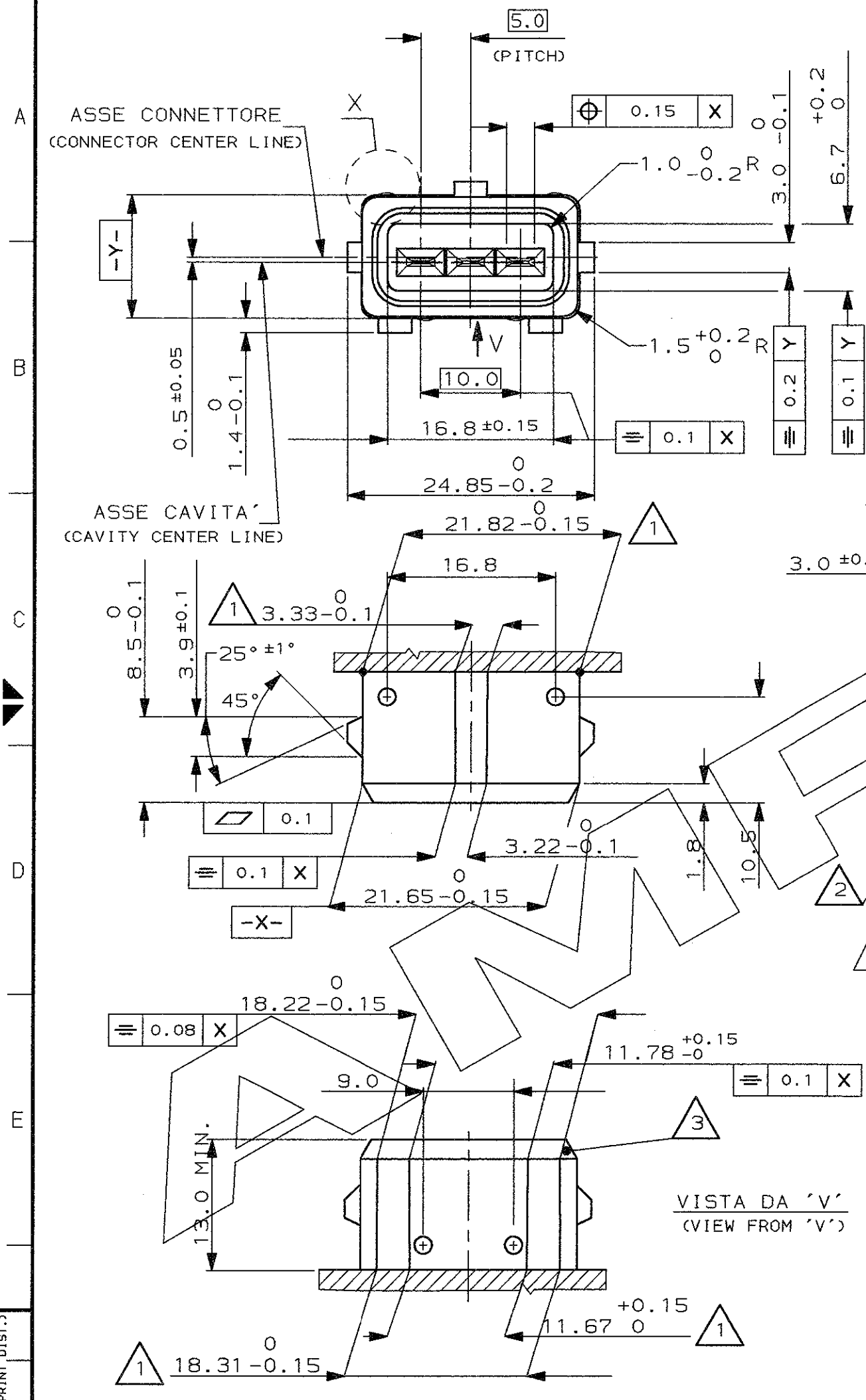
CUSTOMER DWG. FOR REFERENCE ONLY
DISEGNO PER CLIENTE SOLO PER RIFERIMENTO

THIS DRAWING IS UNPUBLISHED
© COPYRIGHT 19 BY AMP INCORPORATED, HARRISBURG, PA. ALL INTERNATIONAL RIGHT RESERVED. AMP PRODUCTS MAY BE COVERED BY U.S. AND FOREIGN PATENT AND/OR PATENT PENDING
TOLLERANZE, SE NON DIVERSAMENTE SPECIFICATO
(TOLERANCES, UNLESS OTHERWISE SPECIFIED)

DIAM. ISOLANTE (INS. DIA. RANGE) 1.5-3.0 mm (RED. INS. CABLE)
RANGO FILO (WIRE RANGE) 0.5-2.5 mm²
SCALA (SCALE) ---
ANGOLI (ANGLES) ± 2°

D	REVISED FOR ET00-0385-99 M.P.	2-4 01	DIS. 19 MAY 95 (DR.)	M. PALMA	DESCRIZIONE (DESCRIPTION)	LOC. SIZE (DWG NO)	NUMERO (DWG NO)	REV.	FOLGIO (SHEET)
C	RELEASED FOR PRODUCTION -6, WITH EC ET00-0222-98 R.M.				3 POS. SPLASH PROOF CONN. ASS'Y with SECONDARY LOCK	I A3	C-282729	D	1 DI (CF) 2
B	REVISED AND IN PRODUCTION EC ET00-0075-96 A.B.	12-2 1998	CONT. 19 MAY 95 (CHK)	C. TARTARI					
A	FIRST ISSUE WITH ECN ET00-0217-95 M.P.	15-9 1995							
REV.	REVISIONI (REVISION RECORD)	DIS. DATA (DR)	APP. (APP.)						

DISTRIBUZIONE (PRINT DIST.)



DETT. LINGUETTA TAB-SCALA 5:1-
(TAB DETAIL)

1 QUOTE APPLICABILI PER SFORNATURA PEZZO
(DRAFT PERMITTED TO FACILITATE REMOVAL OF PART
FROM THE MOULD)

2 MATERIALE LINGUETTE: LEGA DI RAME
STAGNATA, ES. OTTONE STAGNATO.
(TAB CONTACT MATERIAL: TIN PLATED COPPER ALLOY.
E.G. BRASS TIN PLATED)

3 MATERIALE BLOCCHETTO: TERMOPLASTICO
CARICATO FIBRA VETRO.
(HOUSING MATERIAL: THERMOPLASTIC, GLASS FIBER
FILLED)

FORMA ALTERNATIVA PERMESSA CON RAGGIO
(ALLOWED ALTERNATIVE PROFILE WITH RADIUS)

VISTA DA 'V'
(VIEW FROM 'V')

FINITURA / COLORE (FINISH / COLOUR)	MATERIALE (MATERIAL)	NUMERO (PART NUMBER)
CUSTOMER DWG. FOR REFERENCE ONLY	DISEGNO PER CLIENTE SOLO PER RIFERIMENTO	19
THIS DRAWING IS UNPUBLISHED		RELEASE FOR PUBLICATION
© COPYRIGHT 19 BY AMP INCORPORATED, HARRISBURG, PA. ALL INTERNATIONAL RIGHT RESERVED. AMP PRODUCTS MAY BE COVERED BY U.S. AND FOREIGN PATENT AND/OR PATENT PENDING		
TOLLERANZE: SE NON DIVERSAMENTE SPECIFICATO (TOLERANCES: UNLESS OTHERWISE SPECIFIED)	DIAM. ISOLANTE (INS. DIA. RANGE)	RANGO FILO (WIRE RANGE)
± 0.3	---	---
ANGOLI (ANGLES)	SCALA (SCALE)	
± 2°	---	
DIS. (DR.)	DESCRIZIONE (DESCRIPTION)	
CONT. (CHK)	3 POS. SPLASH PROOF CONN. ASS'Y with SECONDARY LOCK	
APP. (APP.)	LOC. SIZE NUMERO (DWG NO)	REV. FOGLIO (SHEET)
(SEE SHEET 1 OF 2)	I A3 C-282729	D 2 DI (OF) 2
REV. (REV.)	REVISIONI (REVISION RECORD)	DIS. DATA (DR) (DATE)

DISTRIBUZIONE
(PRINT DIST.)