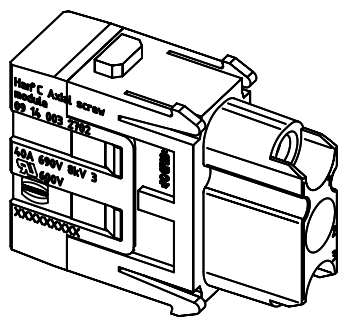
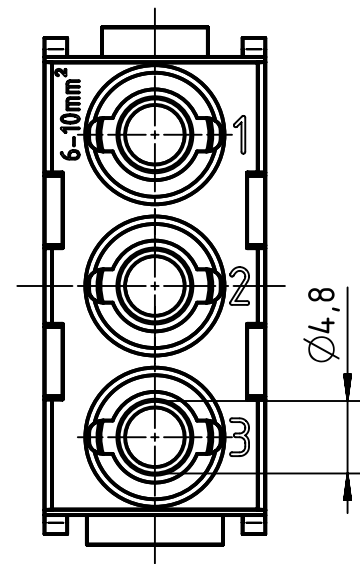
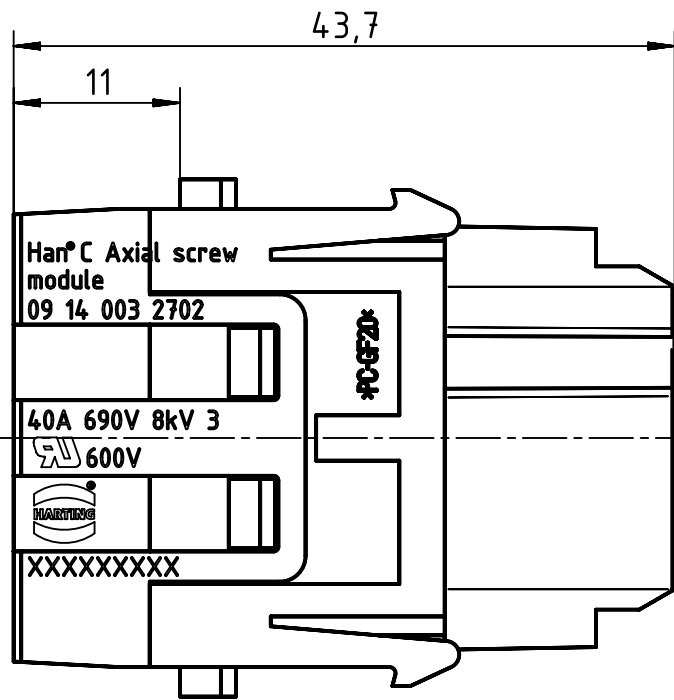


SW2



for stranded wire 6-10mm<sup>2</sup>, AWG 10-8, fine wire

	All Dimensions in mm Original Size DIN A4	Scale	Free size tol.		Ref.	
		2:1			Sub.	
	All rights reserved Department EL PD - DE	Created by	Inspected by	Standardisation	Date	State
		RULLKOETTER	SCHNIEDER	TIEMANNA	2014-06-11	Final Release
HARTING Electric GmbH & Co. KG D-32339 Espelkamp		Title Han C axial module, female 6-10mm <sup>2</sup>			Doc-Key / ECM-Nr. 100169976/UGD/007/B 500000074632	
		Type	Number		Rev.	Page
		TB	09 14 003 2702		B	1/1