



MINIATURE  
RELAYS  
HR502C

Product designation

Product type designation

**Contact characteristics**

Contact configuration			2 C/O
Rated insulation voltage $U_i$ IEC/EN	V		250
Rated impulse withstand voltage $U_{imp}$	kV		6
IEC Conventional free air thermal current $I_{th}$	A		8
Maximum instantaneous current	A		10
Rated current ( $I_n$ )	A		8
Relay control voltage	V		110VAC
Max contrrollable power in			

AC-1	W	2000
AC-15	VA	150

Rated operating power AC-1

VA	2000
----	------

Rated operating power AC-15

230 VAC	VA	150
---------	----	-----

Rated operating current DC-1

30V	A	8
110V	A	0.3
220V	A	0.1

Minimum switching load	V / mA	5 / 100
Contact impedance	m $\Omega$	100
Contact material		Ag/Ni

**Operating times**

Closing	ms	<15
Opening	ms	<15

**Operations**

Mechanical life	cycles	10000000
Electrical life AC1	cycles	20000

**Coil characteristics**

Average coil consumption AC at 20°C	VA	1
Average coil consumption DC at 20°C	W	0.4

Operating range

Closing	% $U_n$	70...110
Opening	% $U_n$	20...55

Maximum cycle frequency	cycles/h	3600
-------------------------	----------	------

**Mechanical features**

Max socket terminal tightening torque	Nm	0.6
Socket screw tightening tool (cross / flat blade)		PH1 / 4.5mm

Conductor section

AWG/Kcmil

min	20
max	14

IEC

min	mm <sup>2</sup>	0.5
max	mm <sup>2</sup>	2.5

Operating position

normal	Any
--------	-----

Fixing

On 35mm DIN rail and with screw

**Ambient conditions**

Temperature

Operating temperature

min	°C	-40
max	°C	+70

Storage temperature

min	°C	-40
max	°C	+85

**Other features**

Indication

Yes

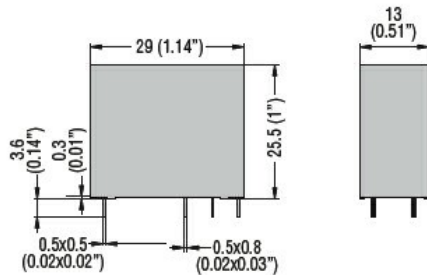
Mechanical contact position indicator

Yes

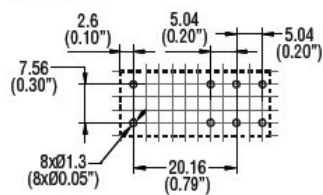
Mechanical test actuator

Yes

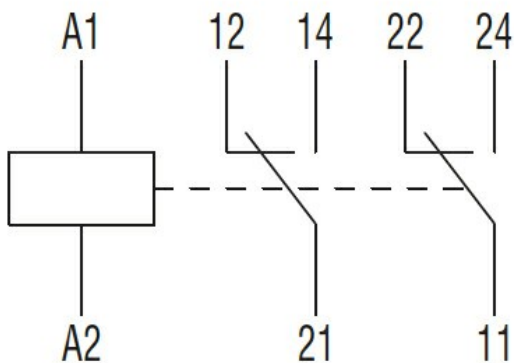
**Dimensions**



PCB layout



**Wiring diagrams**



**Certifications and compliance**

Compliance

IEC/EN 61810

---

Certificates

CSA

---

cURus

---

EAC

---

VDE

**ETIM classification**

ETIM 8.0

EC001437 -  
Switching relay