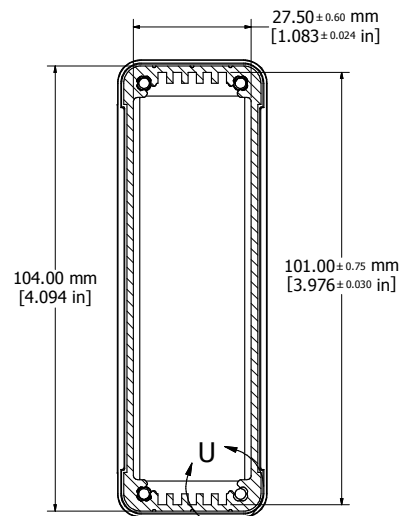
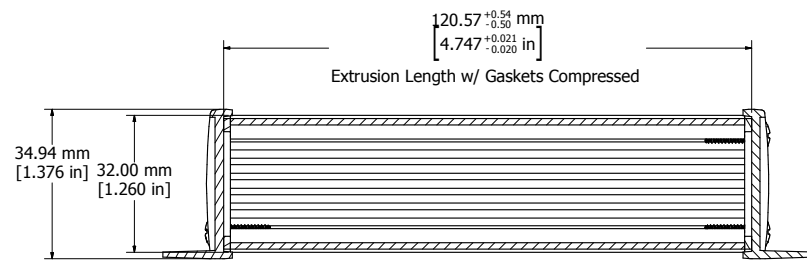
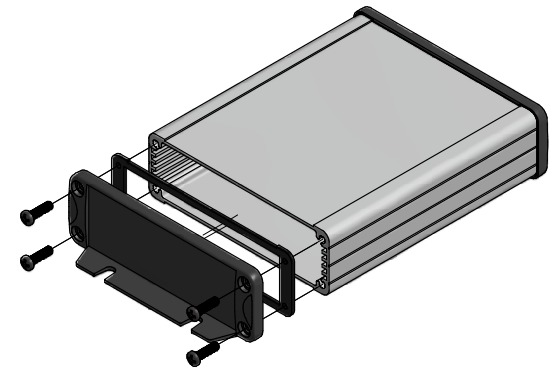


ASSEMBLY - VIEW FROM TOP

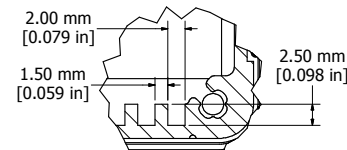


SECTION T-T

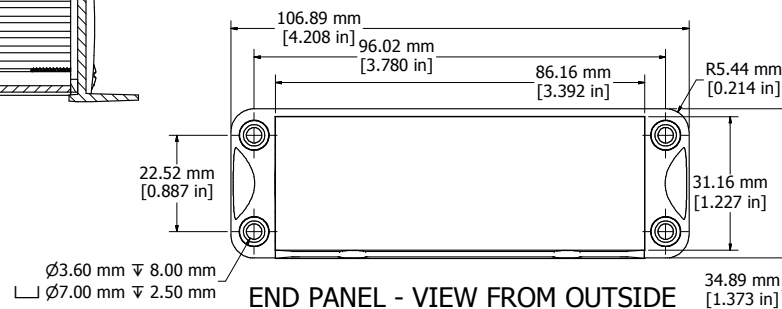


SECTION A-A

Fits 120mm (4.724") X 100mm (3.937") PCB



DETAIL U



END PANEL - VIEW FROM OUTSIDE

**PROTECTION TO IP 65**

Enclosures can be Factory Modified ( Milling, Drilling, Printing etc. )  
 Contact Factory [mjm@hammondmfg.com](mailto:mjm@hammondmfg.com) for quotes  
 Solid models of this enclosure available in STEP or IGES.

**NOTE**

Purchased assembly includes box, end panels, #6 Taptight screws w/ O-Rings, self adhesive rubber feet, and gaskets  
 Box made from Extruded Aluminum 6063.  
 End panels made from ADC-12 Diecast Aluminum with a black powder paint finish.

**WATERPROOF 1457L1202**

**PART NUMBERS**

Clear anodized box with black powder painted end panels	1457L1202
Black powder painted box and end panels	1457L1202BK
<b>EMI/RFI SHIELDED (IP 54)</b>	
Clear anodized box with black powder painted end panels	1457L1202E
Black powder painted box and end panels	1457L1202EBK

**ACCESSORIES**

See website for accessories.

