



MASTERColour CDM-Rm Mini

MASTERColour CDM-Rm Mini 20W/830 GX10 MR16 10D

The easy way to reflect more sparkle The new Philips MASTERColour CDM-R mini brings trusted MASTERColour quality to 50mm reflector lamps with the superior output and colour stability to create the right atmosphere to match your customers' retail brand and positioning

Product data

• General Characteristics

Cap-Base	GX10
Bulb	MR16 [2inch/50mm]
Bulb Finish	-
Burning Position	any [Any/Universal]
Life to 5% failures	9000 hr
Life to 10% failures	10000 hr
Life to 20% failures	12000 hr
Life to 50% failures	15000 hr

Forward Lum Maintenance 15000h	70 %
Design Mean Lumens EL	850 Lm
Chromaticity Coordinate X	0.440 -
Chromaticity Coordinate Y	0.400 -
Luminous flux in 90° cone	950 Lm

• Light Technical Characteristics

Beam Description	-
Beam Angle	10 D
Technical Beam Angle	7.5 (min), 10 (nom), 12.5 (max) D
Luminous Intensity	13500 cd
Colour Code	830 [CCT of 3000K]
Colour Rendering Index	81 (min), 84 (nom) Ra8
Colour Temperature	3000 K
Colour Temperature Technical	3000 K
Forward Luminous Output	945 (min), 1050 (nom) Lm
Forward Luminous Efficacy	53 Lm/W
LLMF - end nominal lifetime	70 %
Forward Lum Maintenance 2000h	92 %
Forward Lum Maintenance 4000h	85 %
Forward Lum Maintenance 8000h	78 %
Forward Lum Maintenance 12000h	75 %

• Electrical Characteristics

System Power EL	23.5 W
Lamp Wattage	20 W
Lamp Wattage EL	20 W
Lamp Wattage EL 25°C, Rated	20.0 W
Lamp Voltage	93 V
Lamp Current EL	0.215 A
Ignition Time	30 (max) s
Run-up time 90%	3 (max) min
Re-ignition Time [min]	15 (max) min
Dimmable	no
Warm-up Time to 60% Light Outp	120 s

• Environmental Characteristics

Energy Efficiency Label (EEL)	A
Mercury (Hg) Content	3.5 mg
Energy consumption kWh/1000h	20 kWh

PHILIPS

MASTERColour CDM-Rm Mini

• UV-related Characteristics

Damage Factor D/fc PET (NIOSH) 0.4 (max) - 8 (min) h500lx

• Measuring Conditions

Switching cycle 1350X

• Luminaire Design Requirements

Reflector Neck Temperature 215 (max) C

• Product Dimensions

Reference Length A 59 (max) mm
 Overall Length C 62.75 (nom), 65.4 (max) mm
 Overall Length Rim C1 60.9 (max) mm
 Diameter D 50 (nom), 51 (max) mm

• Product Data

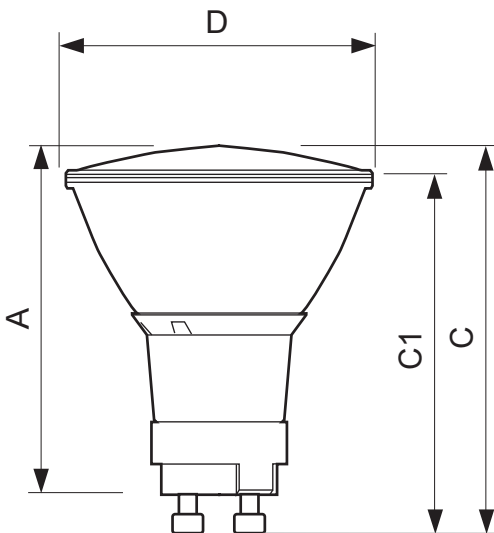
Order code 202745 00
 Full product code 871829120274500
 Full product name MASTERColour CDM-Rm Mini 20W/830 GX10 MR16 10D
 Order product name CDM-Rm Mini 20W/830 GX10 MR16 10D
 Pieces per pack 1
 Packing configuration 12
 Packs per outerbox 12
 Bar code on pack - EAN1 8718291202745
 Bar code on outerbox - EAN3 8718291202752
 Logistic code(s) - 12NC 928191005331
 ILCOS code MRS/UB-20/830-H-GX10-51/54.5/10
 Net weight per piece 0.047 kg

Warnings and Safety

- Use only with electronic control gear

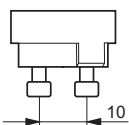
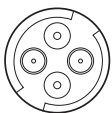
- Control gear must include end-of-life protection (IEC61167, IEC 62035)

Dimensional drawing



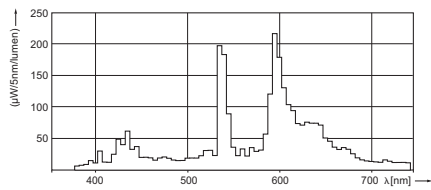
MASTERColour CDM-Rm Mini 20W/830 GX10 MR16 10D

Product	A (Max)	C (Norm)	C (Max)	C1 (Max)	D (Norm)	D (Max)
CDM-Rm 20W/830 GX10 MR16 10D	59	62.75	65.4	60.9	50	51

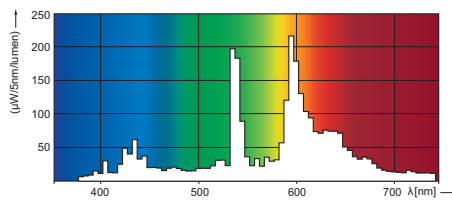


GX10

Photometric data



MASTERColour CDM-R Mini /830



MASTERColour CDM-R Mini 20W /830



© 2014 Koninklijke Philips N.V. (Royal Philips)
All rights reserved.

Specifications are subject to change without notice. Trademarks are the property of Koninklijke Philips N.V. (Royal Philips) or their respective owners.

www.philips.com/lighting

2014, November 8
data subject to change