

## 178A, 40V N-CHANNEL MOSFET

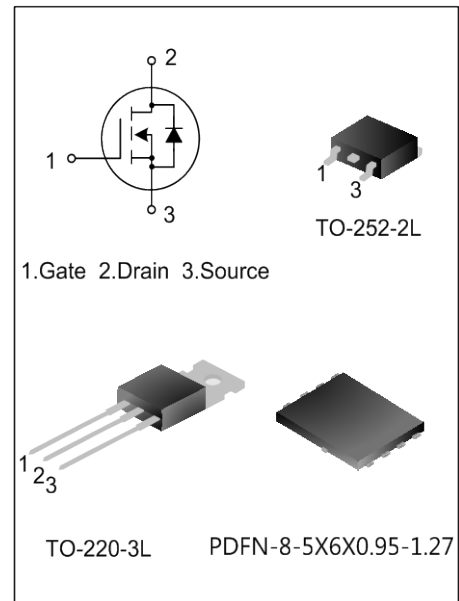
### DESCRIPTION

SVT044R5NT/D/L5 an N-channel enhancement mode power MOS field effect transistor which is produced using SILAN LVMOS technology. The improved process and cell structure have been especially tailored to minimize on-state resistance, provide superior switching performance.

This device is widely used in UPS, Power Management for Inverter Systems.

### FEATURES

- ◆ 178A,40V
- ◆ Low gate charge
- ◆ Low Crss
- ◆ Fast switching
- ◆ Improved dv/dt capability



### ORDERING INFORMATION

Part No.	Package	Marking	Hazardous Substance Control	Packing
SVT044R5NT	TO-220-3L	044R5NT	Pb free	Tube
SVT044R5NDTR	TO-252-2L	044R5ND	Halogen free	Tape&Reel
SVT044R5NL5TR	PDFN-8-5X6X0.95-1.27	044R5NL5	Halogen free	Tape&Reel

### ABSOLUTE MAXIMUM RATINGS (Unless otherwise noted, T<sub>c</sub>=25°C)

Characteristics	Symbol	Ratings			Unit
		SVT044R5NT	SVT044R5ND	SVT044R5NL5	
Drain-Source Voltage	V <sub>DS</sub>	40			V
Gate-Source Voltage	V <sub>GS</sub>	±20			V
Drain Current	T <sub>C</sub> =25°C	178			A
	T <sub>C</sub> =100°C	112			
	T <sub>C</sub> =25°C(package limited)	160	128	105	
Drain Current Pulsed	I <sub>DM</sub>	640			A
Power Dissipation(T <sub>C</sub> =25°C) -Derate above 25°C	P <sub>D</sub>	178	112	100	W
		1.42	0.90	0.8	W/°C
Single Pulsed Avalanche Energy(Note 1)	E <sub>AS</sub>	612			mJ
Operation Junction Temperature Range	T <sub>J</sub>	-55~+150			°C
Storage Temperature Range	T <sub>stg</sub>	-55~+150			°C

## THERMAL CHARACTERISTICS

Characteristics	Symbol	Ratings			Unit
		SVT044R5NT	SVT044R5ND	SVT044R5NL5	
Thermal Resistance, Junction-to-Case	$R_{\theta JC}$	0.70	1.12	1.25	$^{\circ}\text{C/W}$
Thermal Resistance, Junction-to-Ambient	$R_{\theta JA}$	62.5	62.0	50	$^{\circ}\text{C/W}$

## ELECTRICAL CHARACTERISTICS (Unless otherwise noted, $T_c=25^{\circ}\text{C}$ )

Characteristics	Symbol	Test conditions	Min.	Typ.	Max.	Unit
Drain -Source Breakdown Voltage	$BV_{DSS}$	$V_{GS}=0V, I_D=250\mu A$	40	--	--	V
Drain-Source Leakage Current	$I_{DSS}$	$V_{DS}=40V, V_{GS}=0V$	--	--	1.0	$\mu A$
Gate-Source Leakage Current	$I_{GSS}$	$V_{GS}=\pm 25V, V_{DS}=0V$	--	--	$\pm 100$	nA
Gate Threshold Voltage	$V_{GS(th)}$	$V_{GS}=V_{DS}, I_D=250\mu A$	2.0	--	3.5	V
Static Drain- Source On State Resistance	$R_{DS(on)}$	$V_{GS}=10V, I_D=50A$ (220/252)	--	3.5	4.5	m $\Omega$
		$V_{GS}=10V, I_D=50A$ (PDFN5*6)	--	3.0	3.6	
Gate Resistance	$R_G$	$f=1\text{MHz}$		2.0		$\Omega$
Input Capacitance	$C_{iss}$	$f=1\text{MHz}, V_{GS}=0V, V_{DS}=25V$	--	5603	--	pF
Output Capacitance	$C_{oss}$		--	542	--	
Reverse Transfer Capacitance	$C_{rss}$		--	401	--	
Turn-on Delay Time	$t_{d(on)}$	$V_{DD}=20V, V_{GS}=10V, R_G=24\Omega,$ $I_D=160A$ (Note 2,3)	--	51	--	ns
Turn-on Rise Time	$t_r$		--	130	--	
Turn-off Delay Time	$t_{d(off)}$		--	245	--	
Turn-off Fall Time	$t_f$		--	179	--	
Total Gate Charge	$Q_g$	$V_{DD}=32V, V_{GS}=10V, I_D=80A$ (Note 2,3)	--	111	--	nC
Gate-Source Charge	$Q_{gs}$		--	30	--	
Gate-Drain Charge	$Q_{gd}$		--	32	--	

## SOURCE-DRAIN DIODE RATINGS AND CHARACTERISTICS

Characteristics	Symbol	Test conditions	Min.	Typ.	Max.	Unit
Continuous Source Current	$I_S$	Integral Reverse P-N Junction	--	--	160	A
Pulsed Source Current	$I_{SM}$	Diode in the MOSFET	--	--	640	
Diode Forward Voltage	$V_{SD}$	$I_S=50A, V_{GS}=0V$	--	--	1.0	V
Reverse Recovery Time	$T_{rr}$	$I_S=40A, V_{GS}=0V,$	--	28	--	ns
Reverse Recovery Charge	$Q_{rr}$	$dI/dt=100A/\mu s$	--	0.02	--	$\mu C$

### Notes:

1.  $L=1\text{mH}, V_{DD}=38V, R_G=10\Omega,$  starting  $T_J=25^{\circ}\text{C}$ ;
2. Pulse Test: Pulse width  $\leq 300\mu s,$  Duty cycle  $\leq 2\%$ ;
3. Essentially independent of operating temperature.

**TYPICAL CHARACTERISTICS**

Figure 1. Output Characteristics

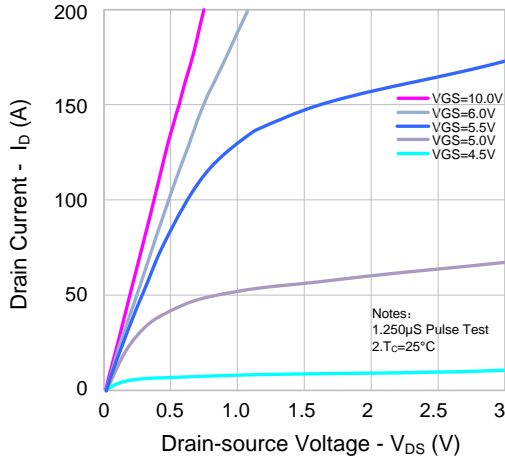


Figure 2. Transfer Characteristics

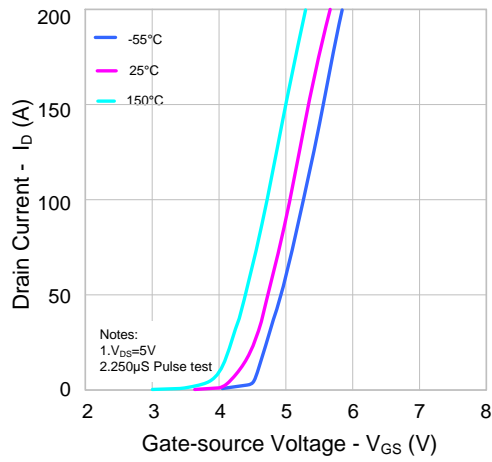


Figure 3. On-resistance vs. Drain Current

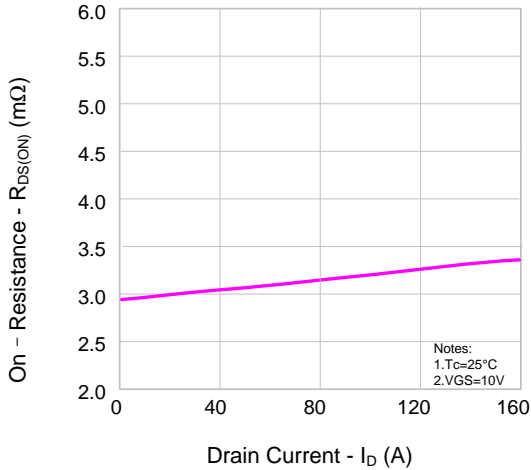


Figure 4. Body Diode Forward Voltage Variation vs. Source Current and Temperature

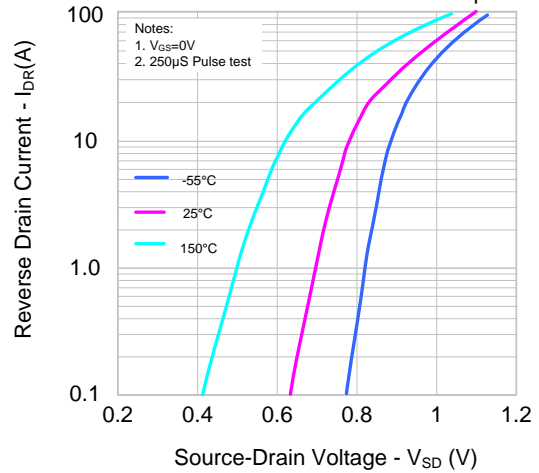


Figure 5. Capacitance Characteristics

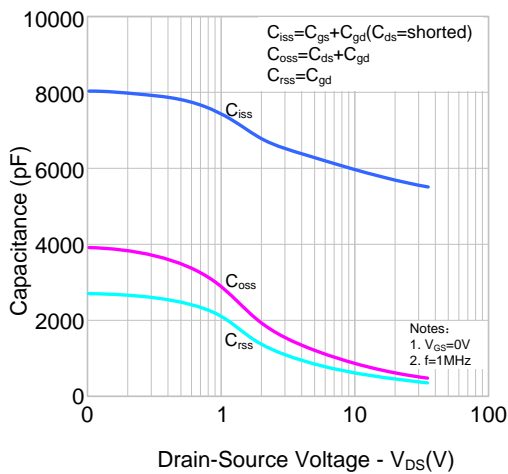
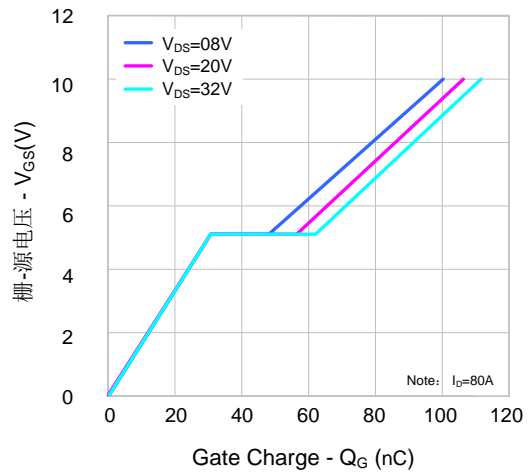
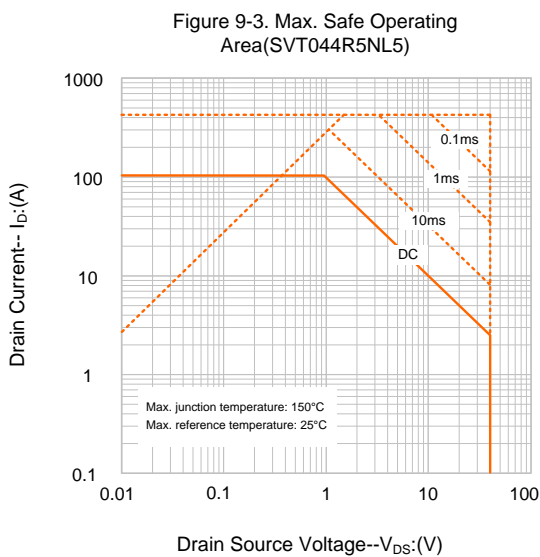
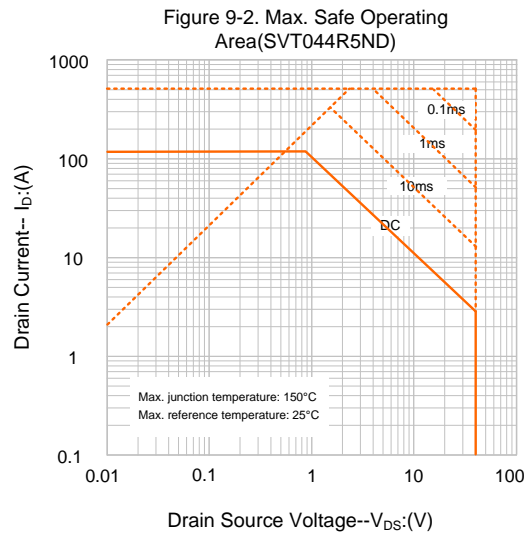
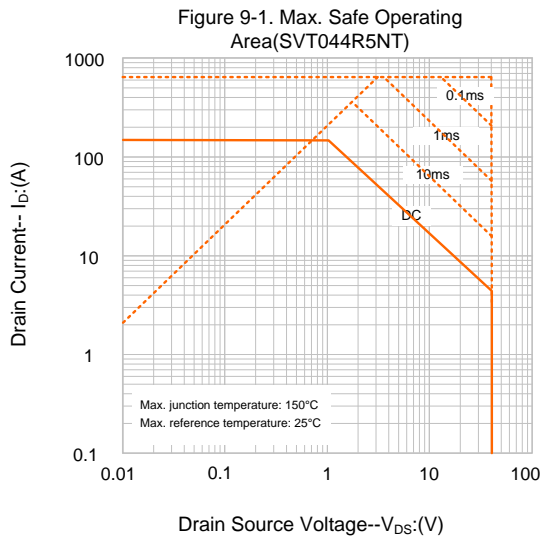
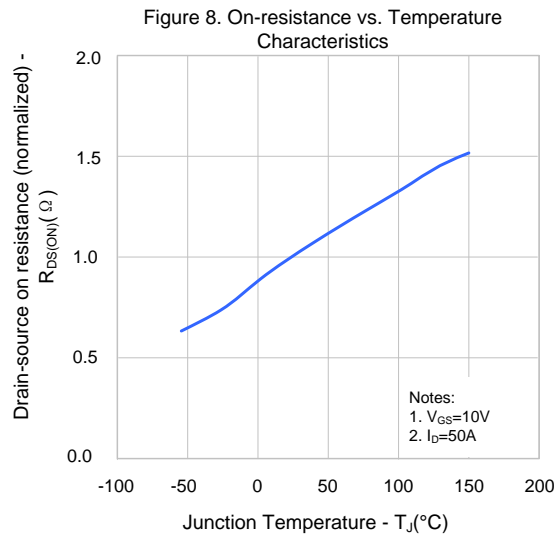
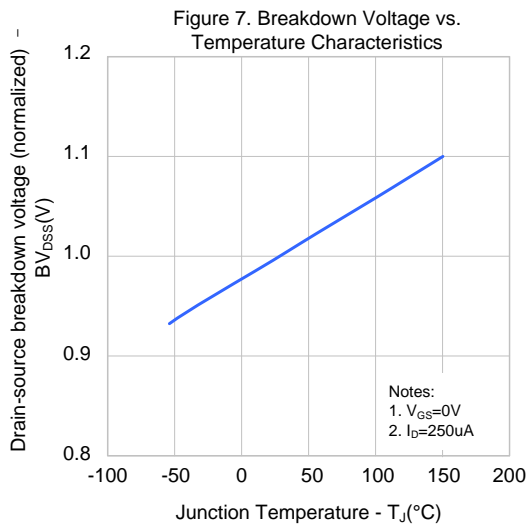


Figure 6. Gate Charge

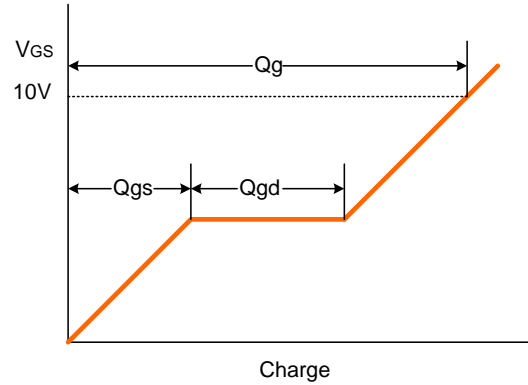
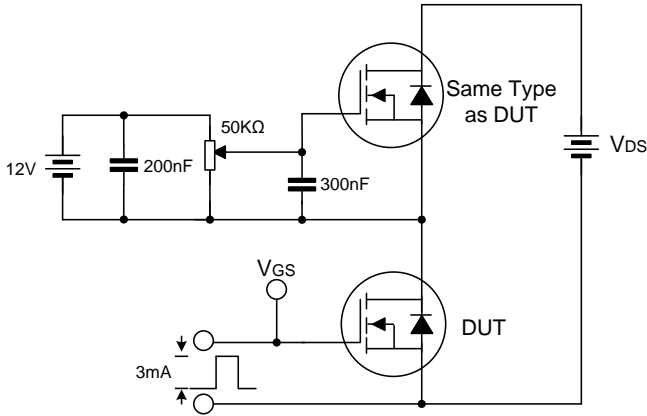


**TYPICAL CHARACTERISTICS(continued)**

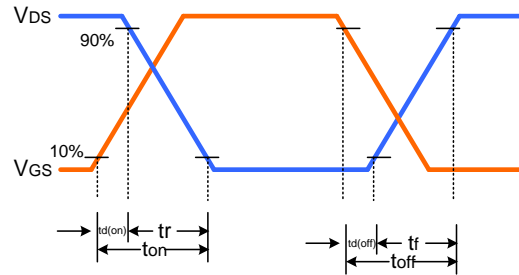
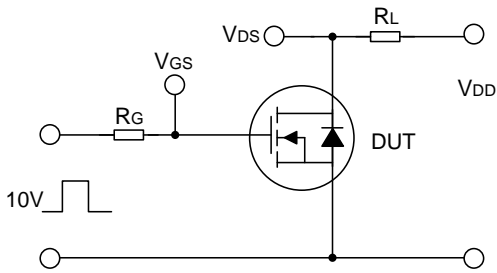


**TYPICAL TEST CIRCUIT**

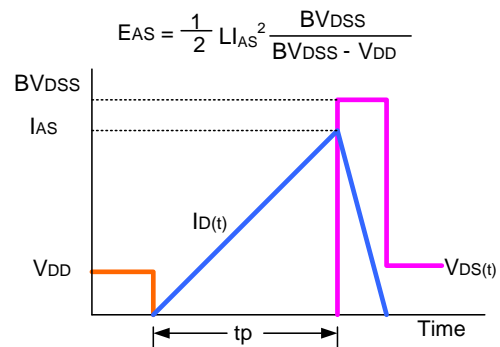
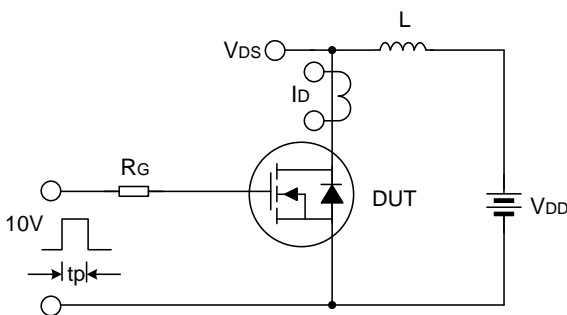
Gate Charge Test Circuit & Waveform



Resistive Switching Test Circuit & Waveform



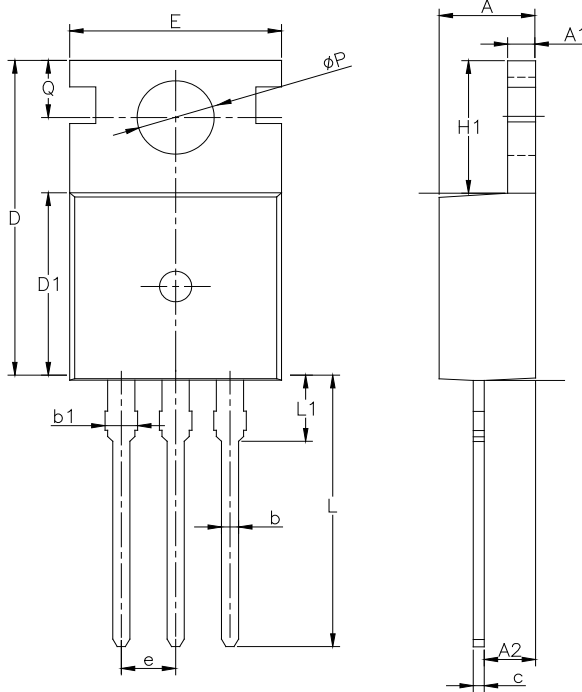
Unclamped Inductive Switching Test Circuit & Waveform



**PACKAGE OUTLINE**

**TO-220-3L**

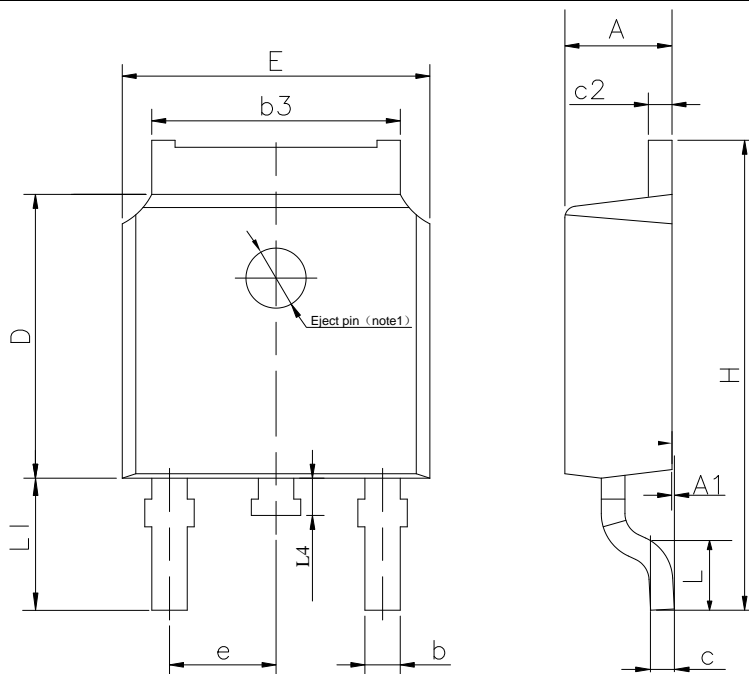
**UNIT: mm**



SYMBOL	MIN	NOM	MAX
A	4.30	4.50	4.70
A1	1.00	1.30	1.50
A2	1.80	2.40	2.80
b	0.60	0.80	1.00
b1	1.00	—	1.60
c	0.30	—	0.70
D	15.10	15.70	16.10
D1	8.10	9.20	10.00
E	9.60	9.90	10.40
e	2.54BSC		
H1	6.10	6.50	7.00
L	12.60	13.08	13.60
L1	—	—	3.95
$\phi P$	3.40	3.70	3.90
Q	2.60	—	3.20

**TO-252-2L**

**UNIT: mm**



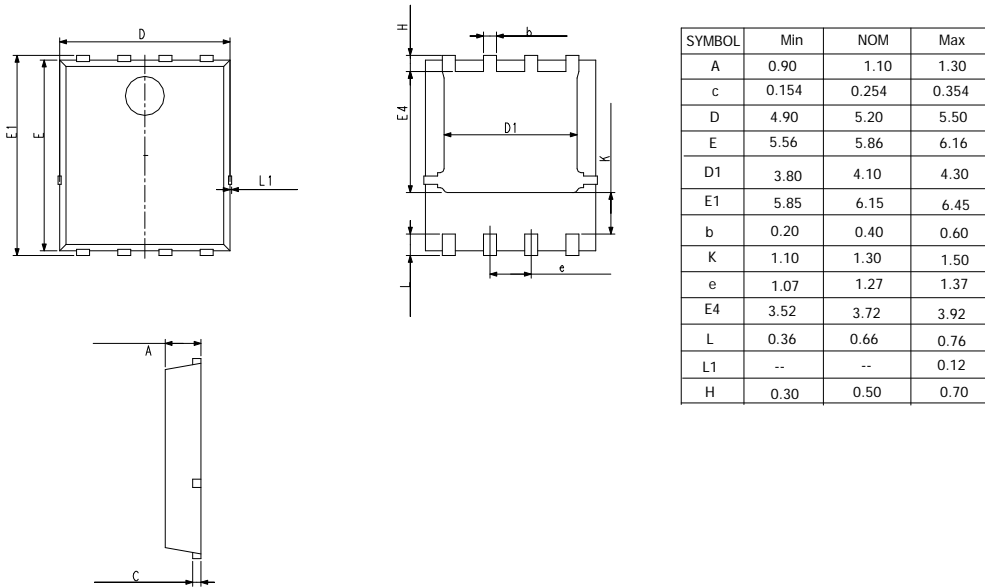
SYMBOL	MIN	NOM	MAX
A	2.10	2.30	2.50
A1	0	---	0.127
b	0.66	0.76	0.89
b3	5.10	5.33	5.46
c	0.45	---	0.65
c2	0.45	---	0.65
D	5.80	6.10	6.40
E	6.30	6.60	6.90
e	2.30TYP		
H	9.60	10.10	10.60
L	1.40	1.50	1.70
L1	2.90REF		
L4	0.60	0.80	1.00

NOTE1 : There are two conditions for this position:has an eject pin or has no eject pin.

## PACKAGE OUTLINE(continued)

PDFN-8-5X6X0.95-1.27

单位: 毫米



### Disclaimer :

- Silan reserves the right to make changes to the information herein for the improvement of the design and performance without prior notice! Customers should obtain the latest relevant information before placing orders and should verify that such information is complete and current.
- All semiconductor products malfunction or fail with some probability under special conditions. When using Silan products in system design or complete machine manufacturing, it is the responsibility of the buyer to comply with the safety standards strictly and take essential measures to avoid situations in which a malfunction or failure of such Silan products could cause loss of body injury or damage to property.
- Silan will supply the best possible product for customers!

---

Part No.: SVT044R5NT/D/L5 Document Type: Datasheet  
Copyright: HANGZHOU SILAN MICROELECTRONICS CO.,LTD Website: <http://www.silan.com.cn>

---

Rev.: 1.3

Revision History:

1. Update characteristics and Fig 5 and 6
- 

Rev.: 1.2

Revision History:

1. Add PDFN-8-5X6X0.95-1.27
  2. Update the package outline of TO-220-3L
- 

Rev.: 1.1

Revision History:

1. Add TO-252-2L
- 

Rev.: 1.0

Revision History:

1. First release
-