

**PLEASE CHECK WWW.MOLEX.COM FOR LATEST PART INFORMATION**

**Part Number:** **0505978000**  
**Status:** **Active**  
**Description:** CP-6.5 3.96mm Wire-to-Wire and 6.50mm Pitch Wire-to-Board Crimp Terminal, Female, 16-22 AWG, Reel

**Documents:**

[Drawing \(PDF\)](#) [Product Specification PS-51142-003 \(PDF\)](#)  
[Product Specification PS-51138-002 \(PDF\)](#) [RoHS Certificate of Compliance \(PDF\)](#)  
[Product Specification PS-51142-002 \(PDF\)](#)

**General**

Product Family Crimp Terminals  
 Series [50597](#)  
 Application Power  
 Crimp Quality Equipment Yes  
 Packaging Alternative [50597-8100](#) (Loose)  
 Product Name CP-6.5  
 UPC 800754370578

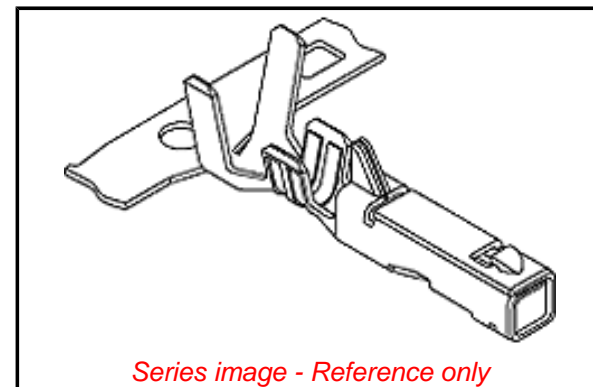
**Physical**

Gender Female  
 Material - Metal Copper  
 Material - Plating Mating Tin  
 Material - Plating Termination Tin  
 Net Weight 270.200/mg  
 Packaging Type Reel  
 Plating min - Mating 0.889µm  
 Plating min - Termination 0.914µm  
 Termination Interface: Style Crimp or Compression  
 Wire Insulation Diameter 2.00-2.50mm, 2.00-3.30mm  
 Wire Size AWG 16, 18, 20, 22  
 Wire Size mm<sup>2</sup> N/A

**Material Info**

**Reference - Drawing Numbers**

Crimp Specification [CS-50597/50599](#)  
 Product Specification [PS-51138-002](#), [PS-51142-002](#), [PS-51142-003](#),  
[RPS-51142-001](#), [RPS-51142-003](#), [RPS-51142-004](#),  
[RPS-51142-005](#), [RPS-51142-006](#), [RPS-51142-007](#),  
[RPS-51142-008](#), [RPS-51142-009](#), [RPS-51142-010](#)  
 Sales Drawing [SD-50597-8\\*00](#)



*Series image - Reference only*

**EU ELV**

**Not Relevant**

**EU RoHS**

**Compliant**

**China RoHS**

**REACH SVHC**

Not Contained Per -  
 ED/21/2016 (20 June  
 2016)

**Halogen-Free**

**Status**

**Low-Halogen**

**Need more information on product environmental compliance?**

Email [productcompliance@molex.com](mailto:productcompliance@molex.com)  
 Please visit the [Contact Us](#) section for any non-product compliance questions.

China ROHS  
 ELV

Green Image  
 Not Relevant

**Search Parts in this Series**

[50597](#) Series

**Mates With**

[50599](#) Male Crimp Terminal, [50600](#) Male Crimp Terminal 20-26 AWG

**Use With**

[51138](#) , [51142](#) , CP-6.5 Receptacle Housing [151049](#)

**Application Tooling | FAQ**

*Tooling specifications and manuals are found by selecting the products below. Crimp Height Specifications are then contained in the Application Tooling Specification document.*

**Global**

**Description**

Fine Adjust  
 Applicator for 3.96

**Product #**

[0639012200](#)

Wire-to-Wire and Wire-to-Board Crimp Terminal	
Hand Crimp Tool	<u>0638197500</u>
3.96mm Pitch Wire- to-Wire and 6.50mm Pitch Wire-to-Board Crimp Terminals, 16-18 AWG	
Hand Crimp Tool for	<u>0638197600</u>
3.96mm Pitch Wire- to-Wire and 6.50mm Pitch Wire-to-Board Crimp Terminals, 16-20 AWG	
Hand Crimp Tool for	<u>0638197700</u>
3.96mm Pitch Wire- to-Wire and 6.50mm Pitch Wire-to-Board Crimp Terminals, 16-18 and 22 AWG	
Extraction Tool	<u>0638132700</u>
FineAdjust™	<u>0639012300</u>
Applicator for 3.96 Wire-to-Wire and Wire-to-Board Crimp Terminal	
T2 Terminator for	<u>0639112200</u>
3.96mm Wire-to-Wire and Wire-to-Board Crimp Terminal	
T2 Terminator for	<u>0639112300</u>
3.96mm Wire-to-Wire and Wire-to-Board Crimp Terminal	
<b>Japan</b>	
<b>Description</b>	<b>Product #</b>
Applicator for M21 1A Bench Press, 16-26 AWG Wire	<u>0573473000</u>
Side-Feed Applicator For Full-Auto Machine	<u>0573473200</u>
Extraction Tool	<u>0573476000</u>

This document was generated on 08/15/2016

**PLEASE CHECK WWW.MOLEX.COM FOR LATEST PART INFORMATION**